

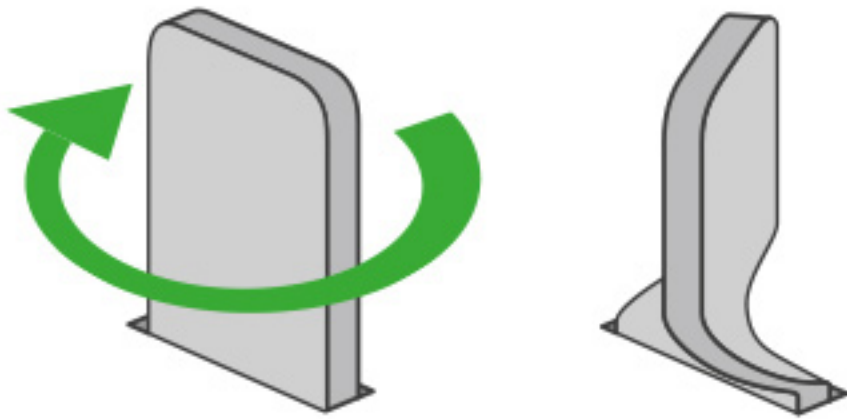


**PONDEROUS
PANZER**

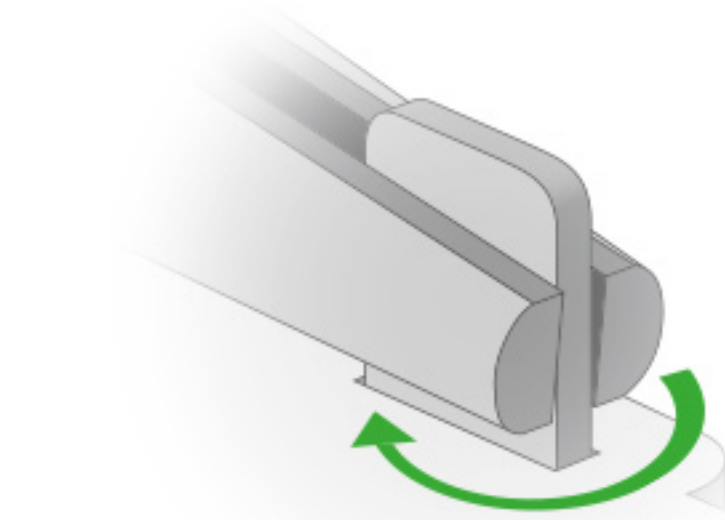


STANDARD FIXING OF FASTENERS AND SYMBOLS

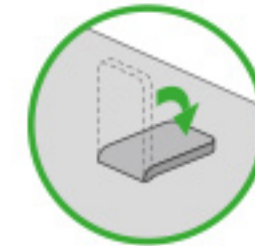
When assembling the model, don't rush, avoid pointing details at yours or anyone else's face. If one of the parts has a sharp edge, please file it down. Use pliers and additional tools to assemble the model. Each kit contains a cloth for wiping and polishing the model once it's assembled.



If there are no additional designations, use the standard fixing method



Use pliers to bend the fasteners



Bend the eyelet 90°

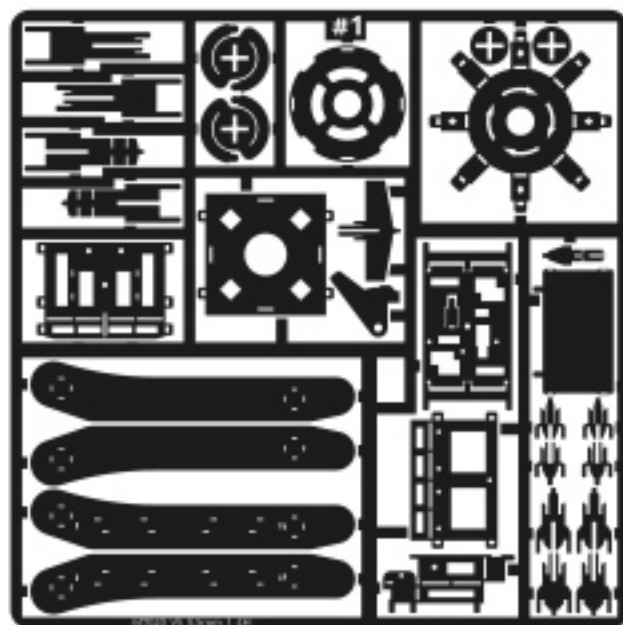


Twist the eyelet 45°

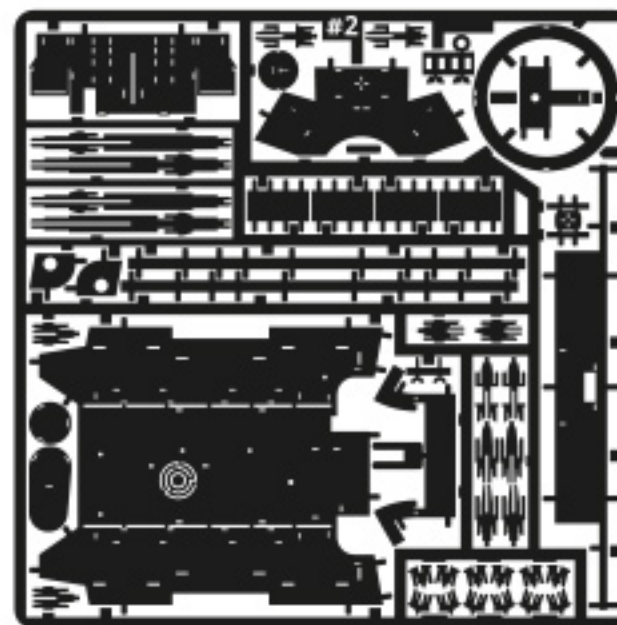


If the part has a sharp edge, file it

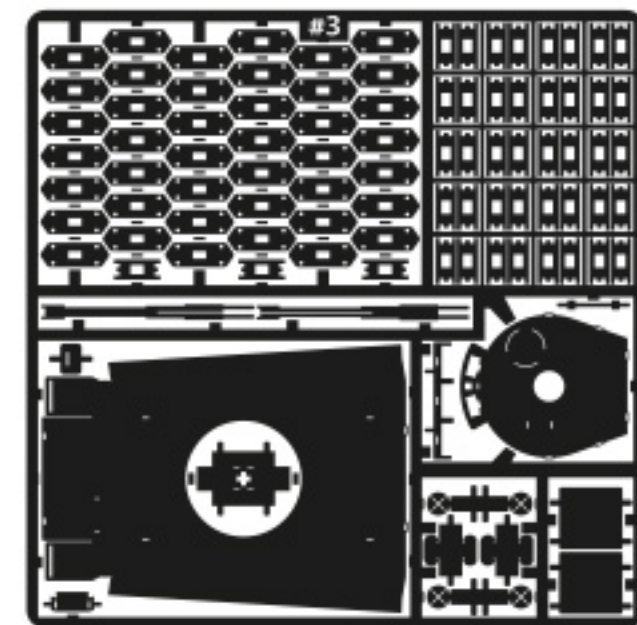
MODEL PARTS AND ASSEMBLY TOOLS



#1



#2



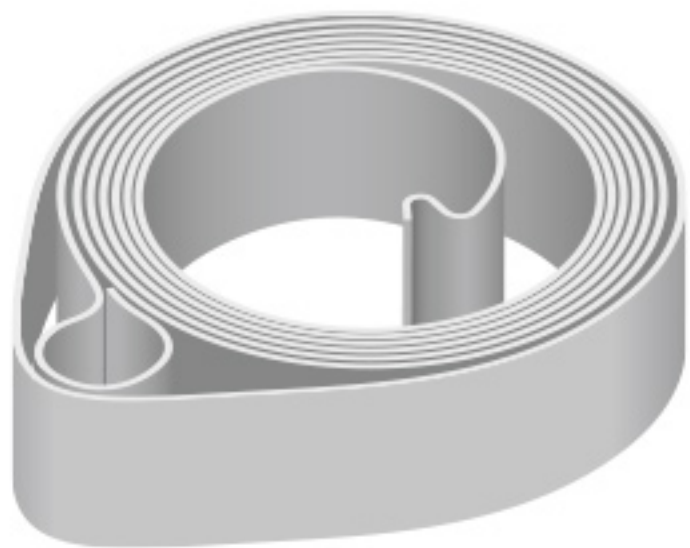
#3

WARNING! Product contains small parts and sharp parts. Not suitable for children under 3 years of age. Please read these instructions carefully before assembly and use.

WARNING! Cut/remove the band that keeps the spring in place ONLY WITHIN the spring chamber/container. DO NOT cut the restraining band outside the assembled spring chamber, as the spring will unwind with force



MODEL PARTS AND ASSEMBLY TOOLS



Spring



G1



G2



G3



G4



G5



G6

x2



G7

x2

! Wide hole



G8

! Narrow hole



G9

x7

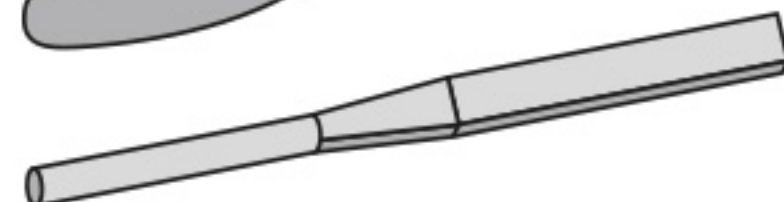
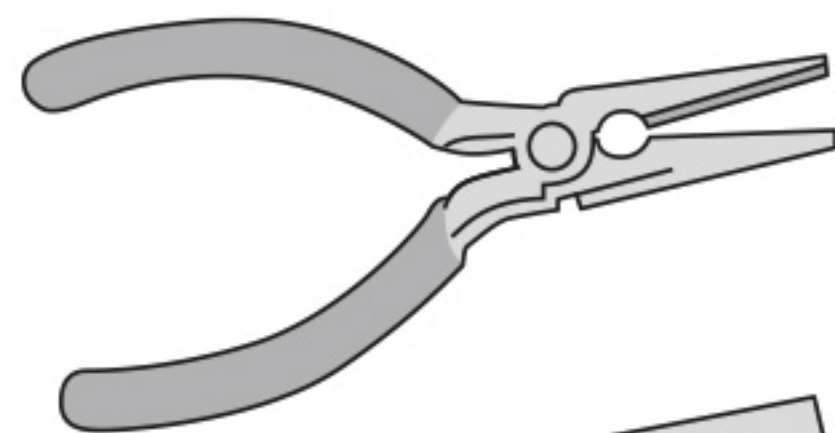


G10



D1

x2



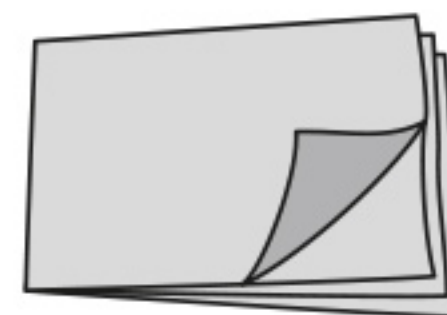
D2



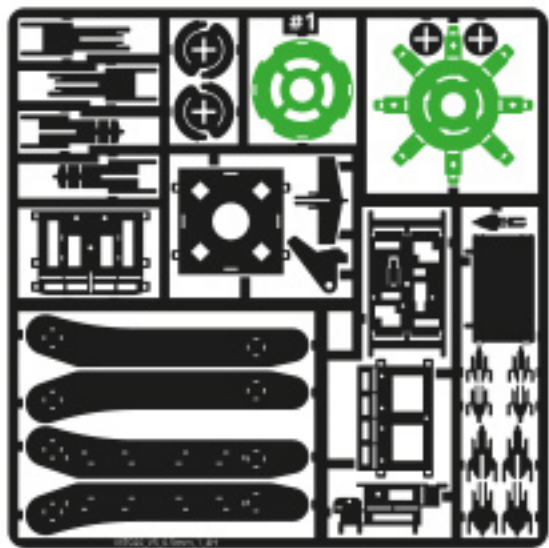
D3



D4



Tools



#1



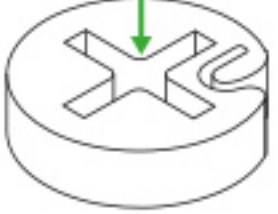
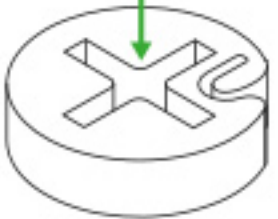
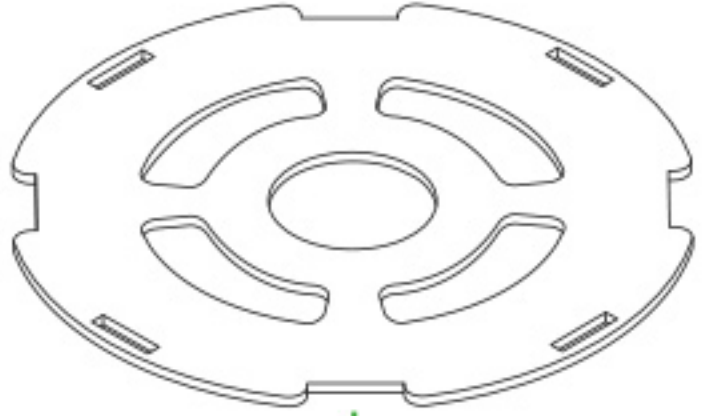
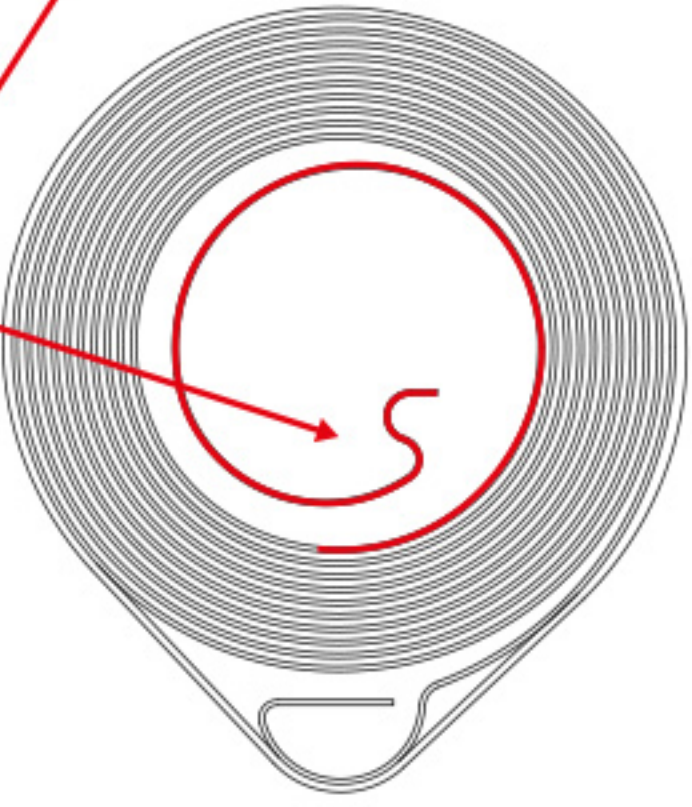
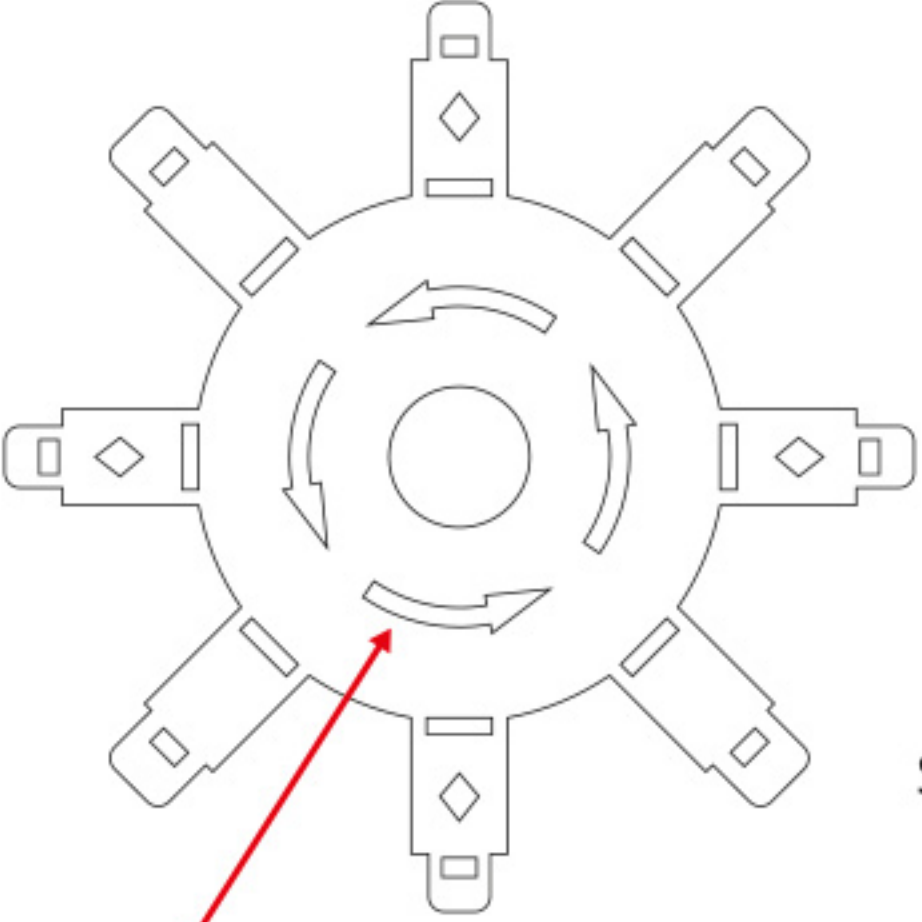
Spring



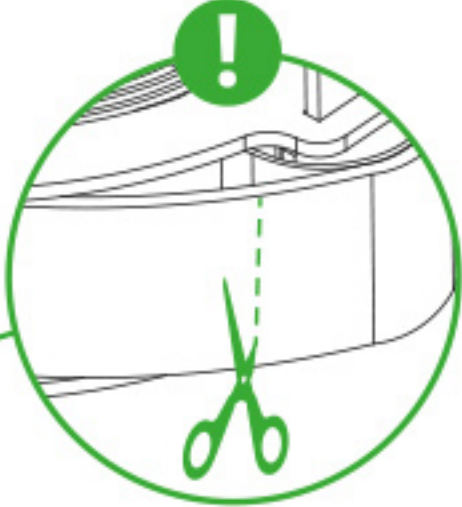
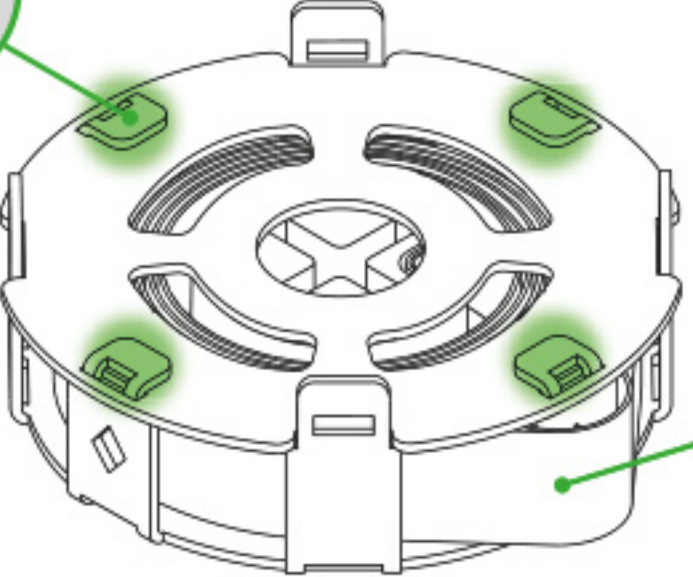
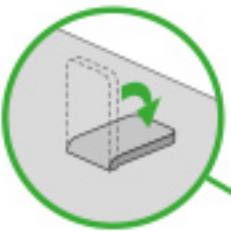
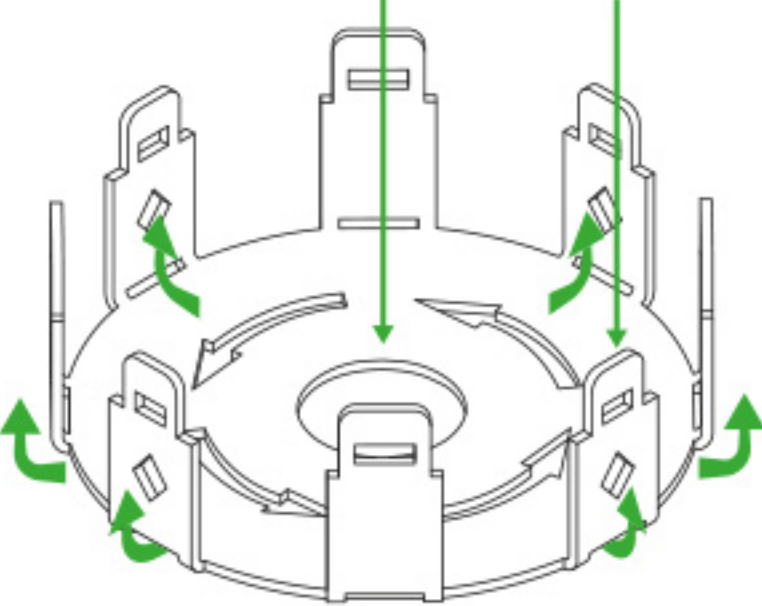
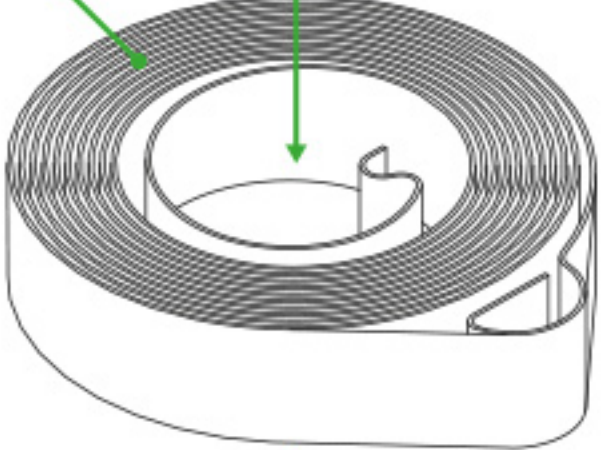
x2

D1

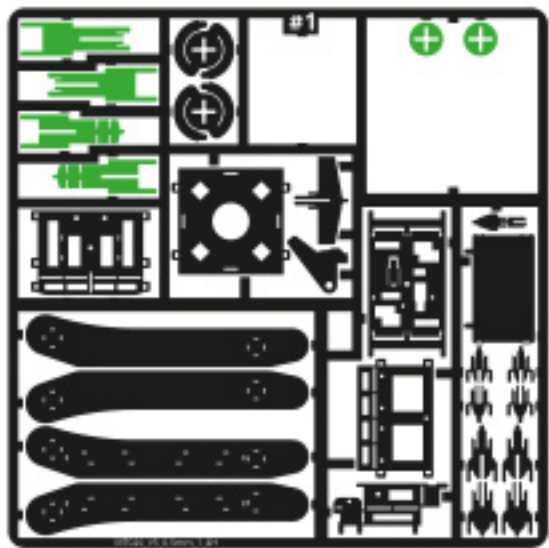
⚠ Position the part properly as seen in the image



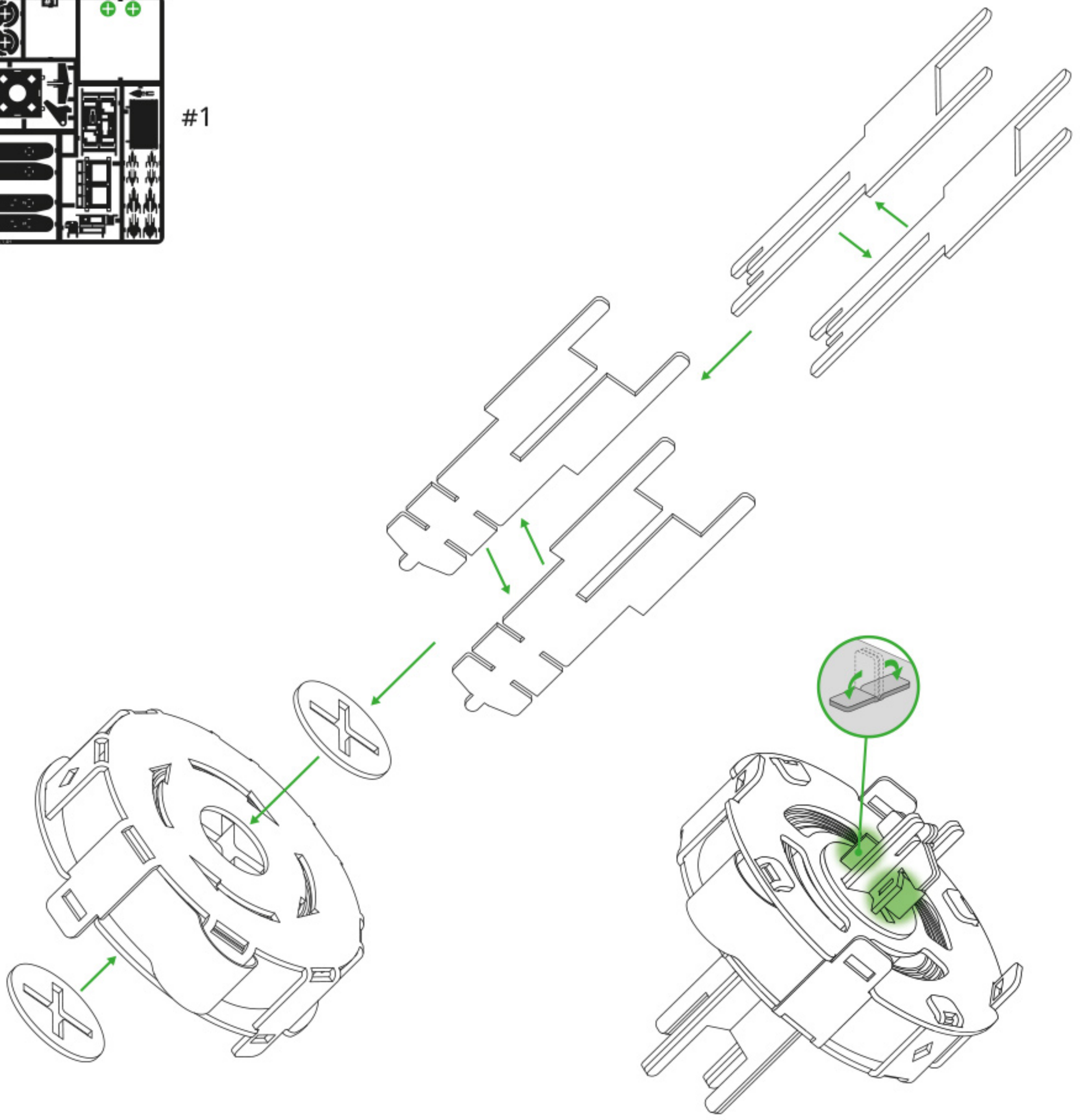
Spring

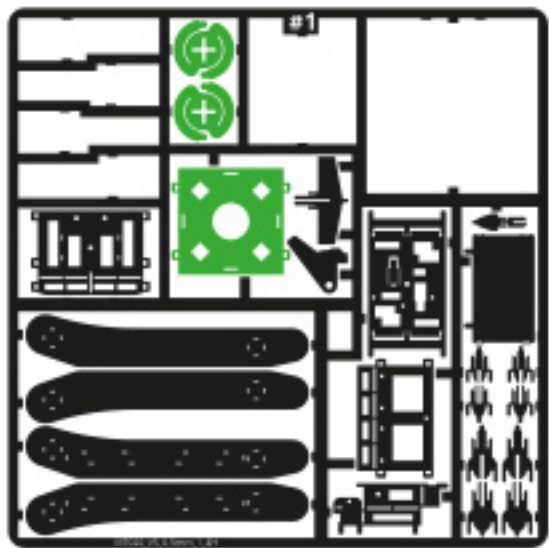


Cut the band after assembly



#1





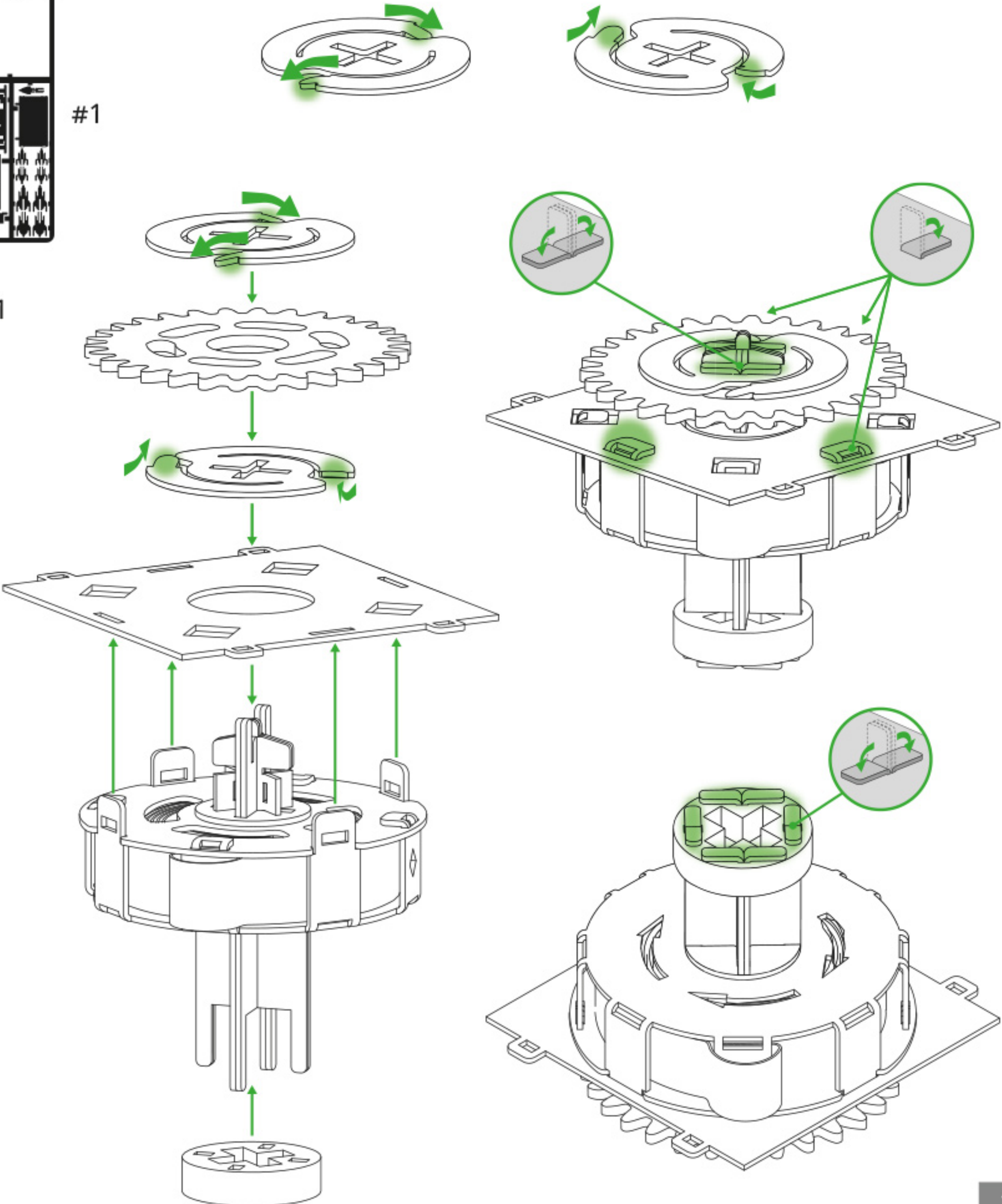
#1

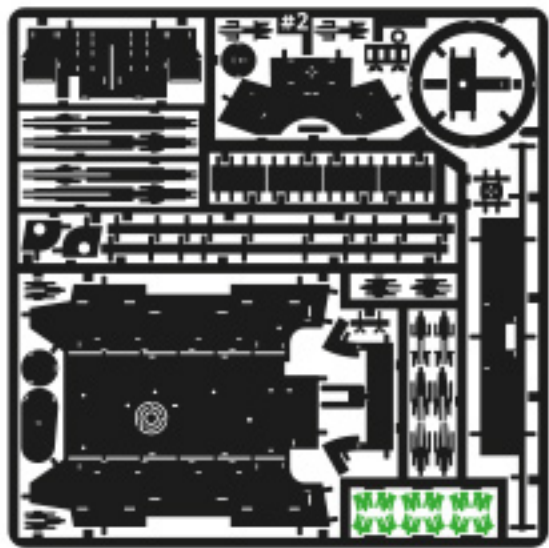


G1



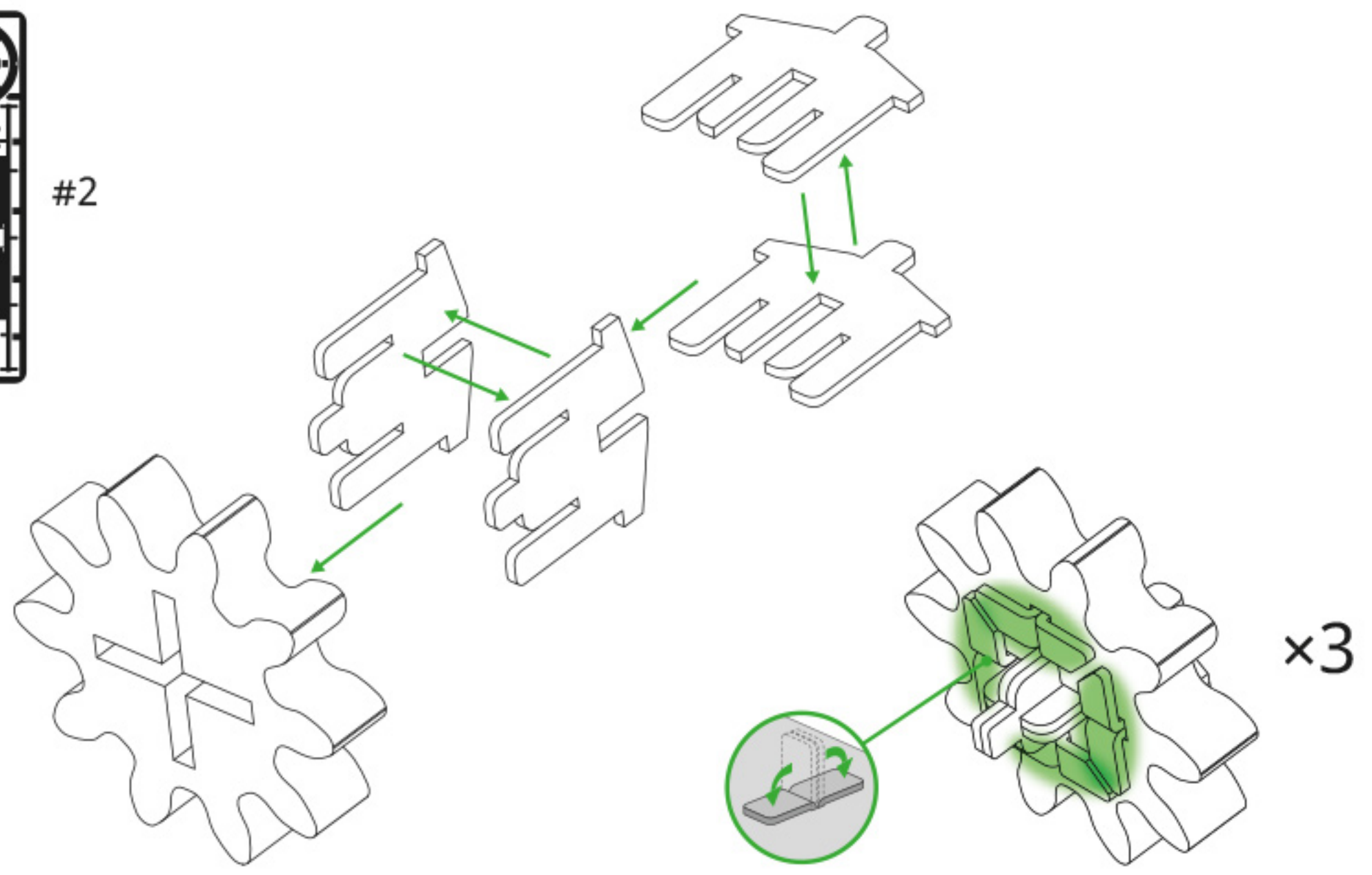
D2



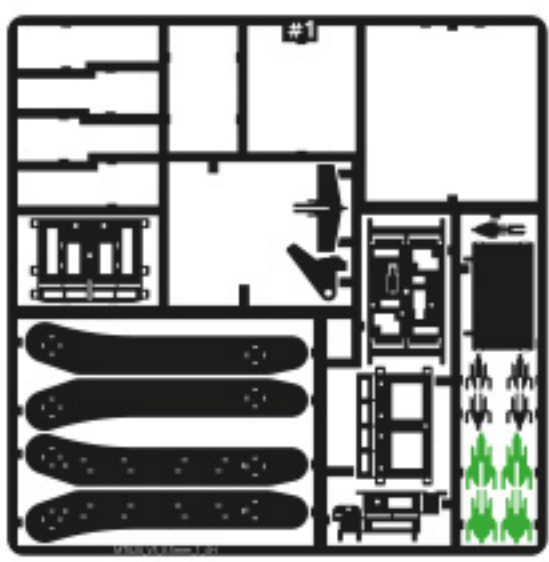


#2

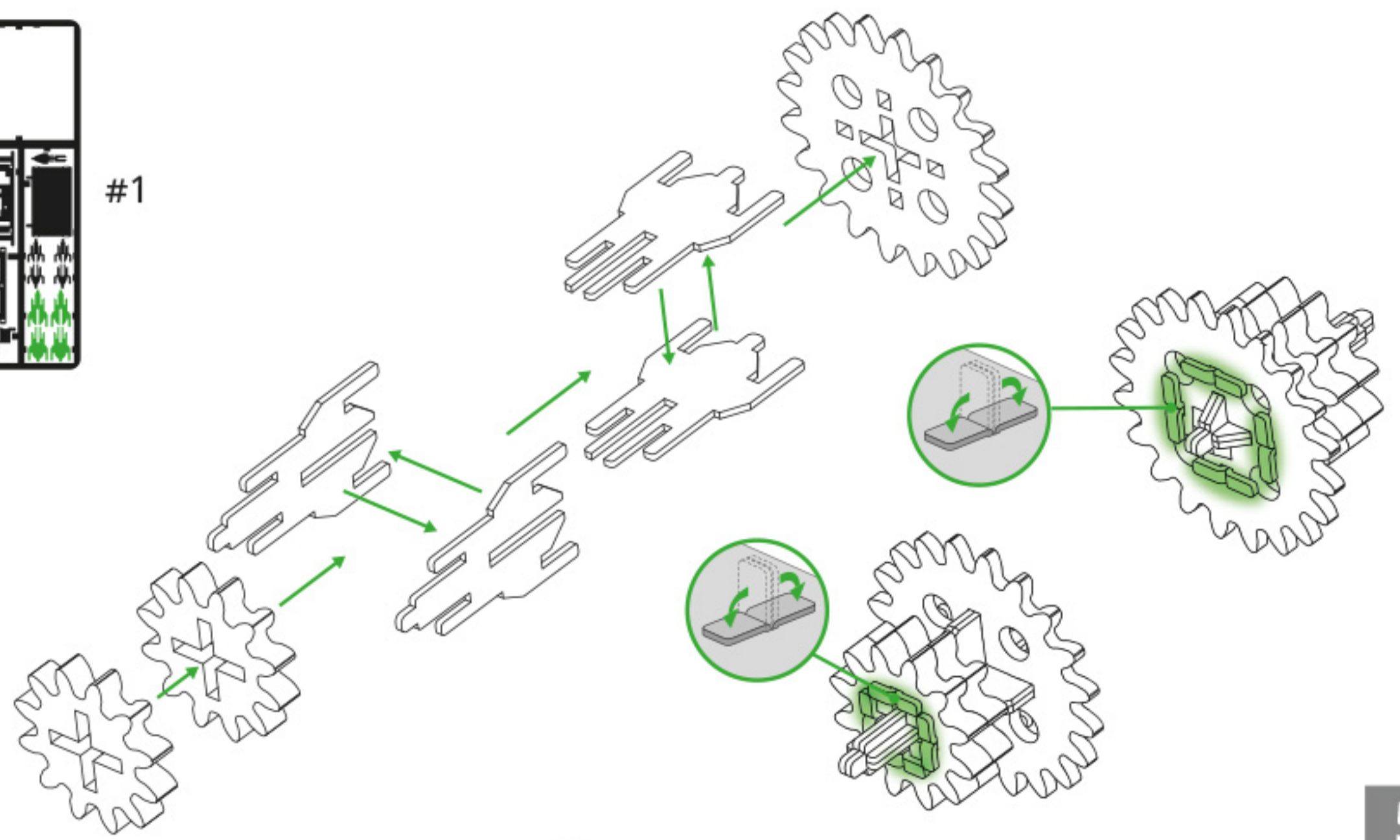
 **Narrow hole**



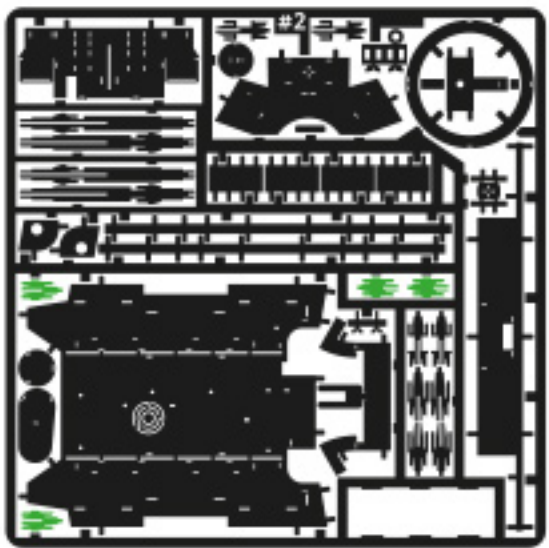
4



#1



5



#2

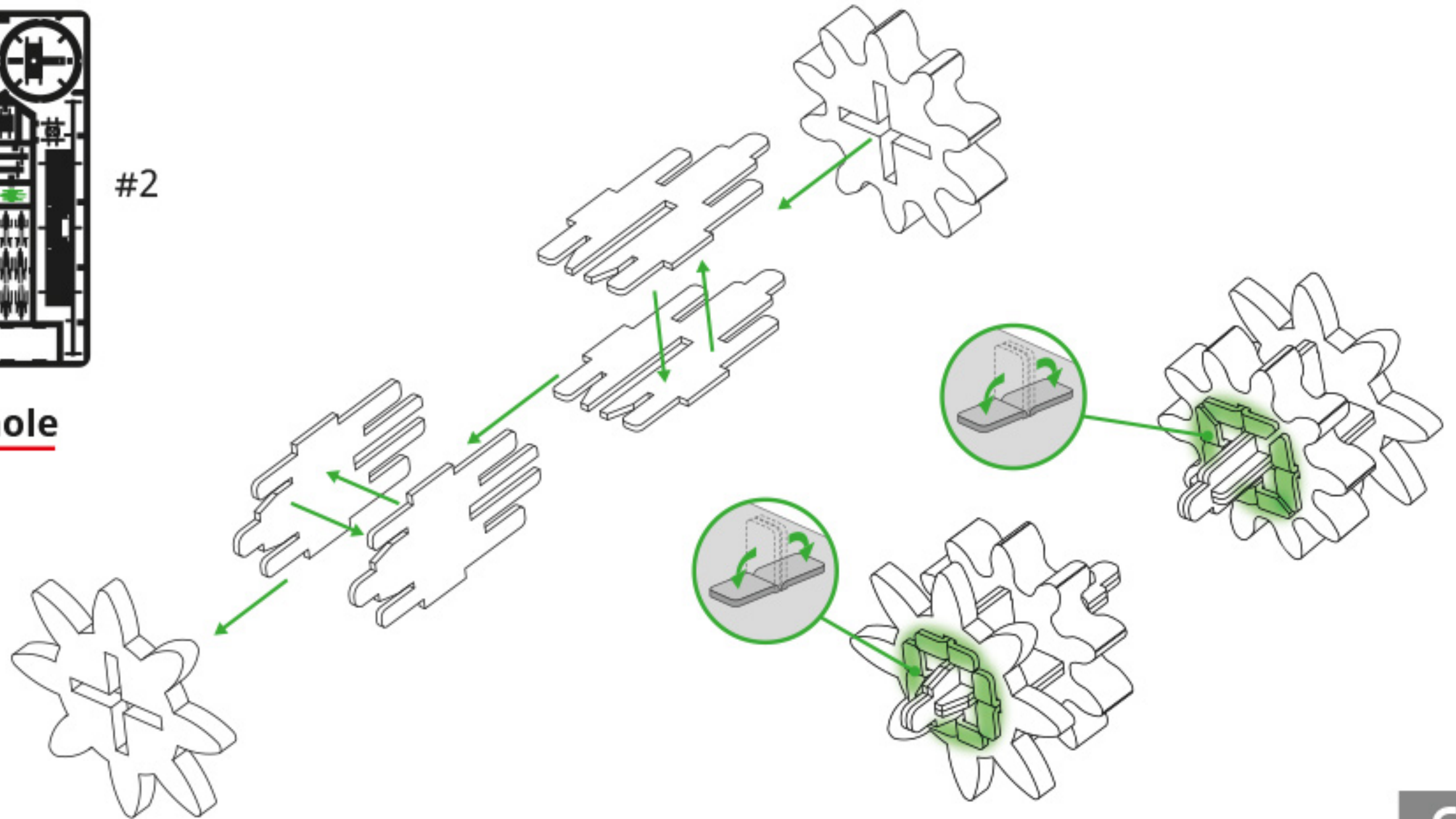
! Narrow hole



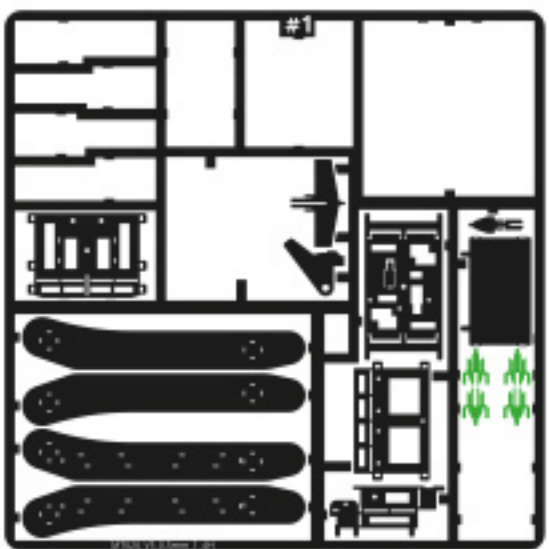
G9



G10



6



#1

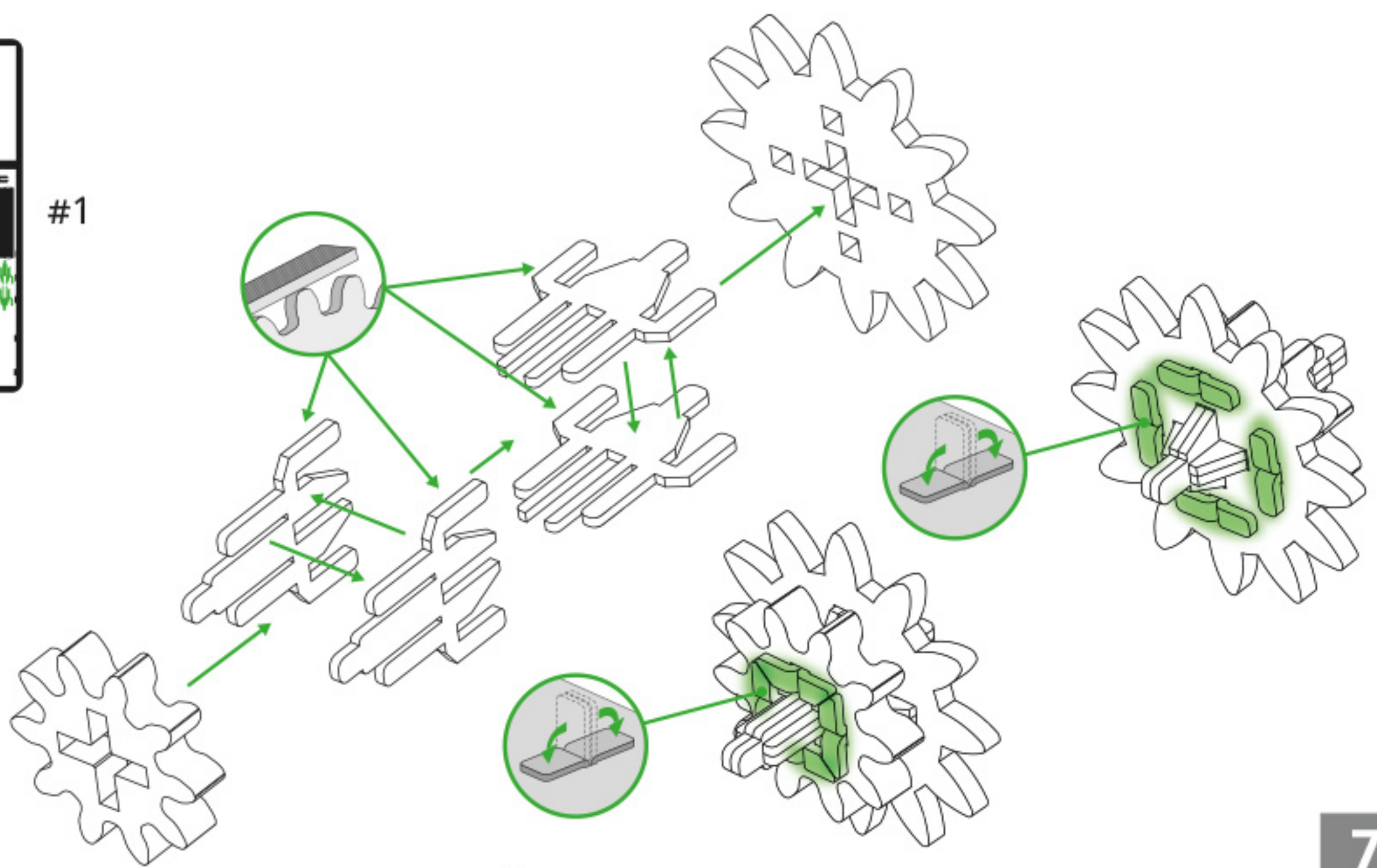


G5

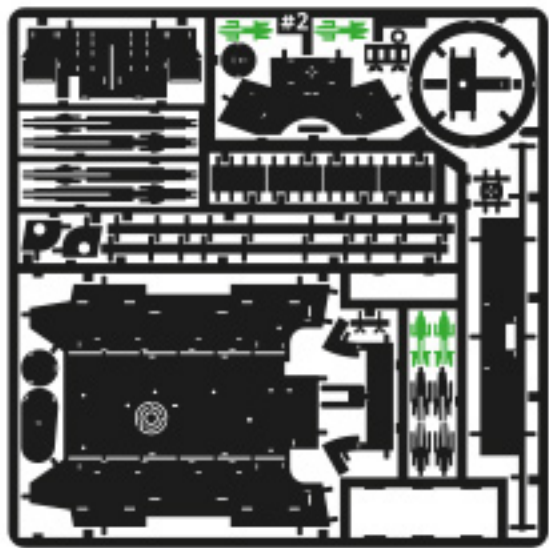
! Wide hole



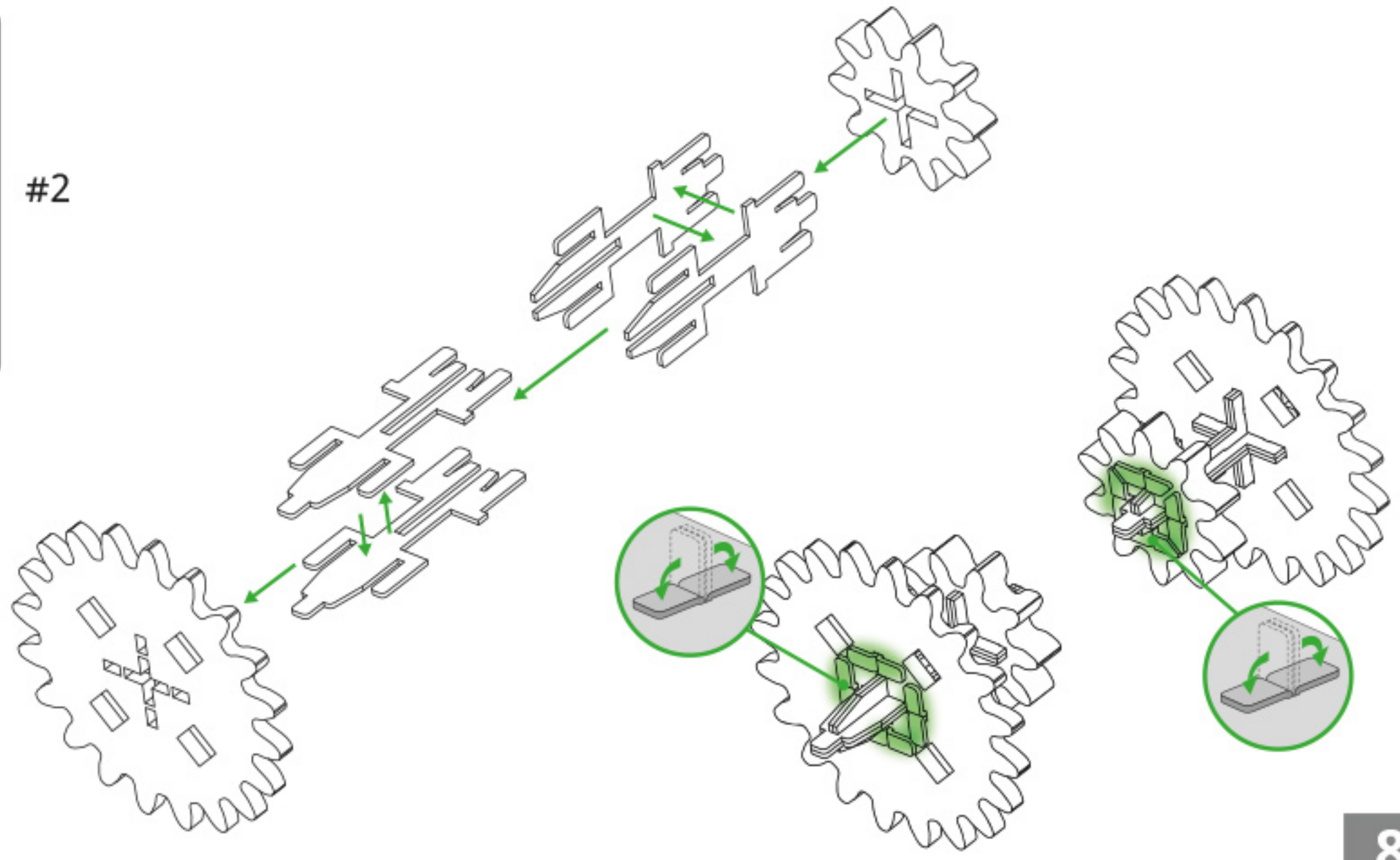
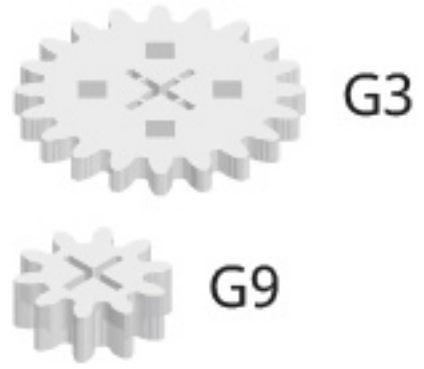
G8



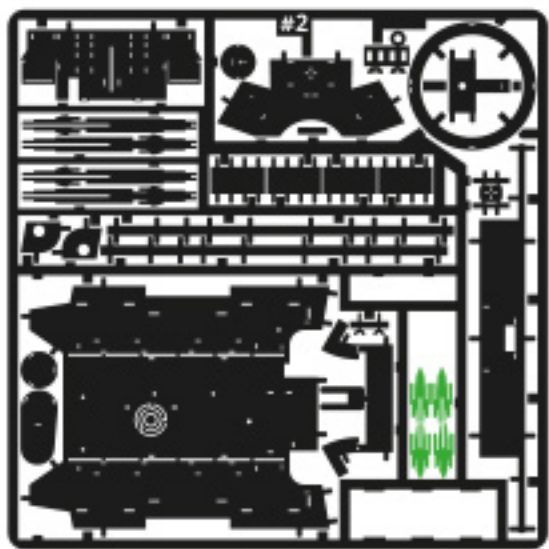
7



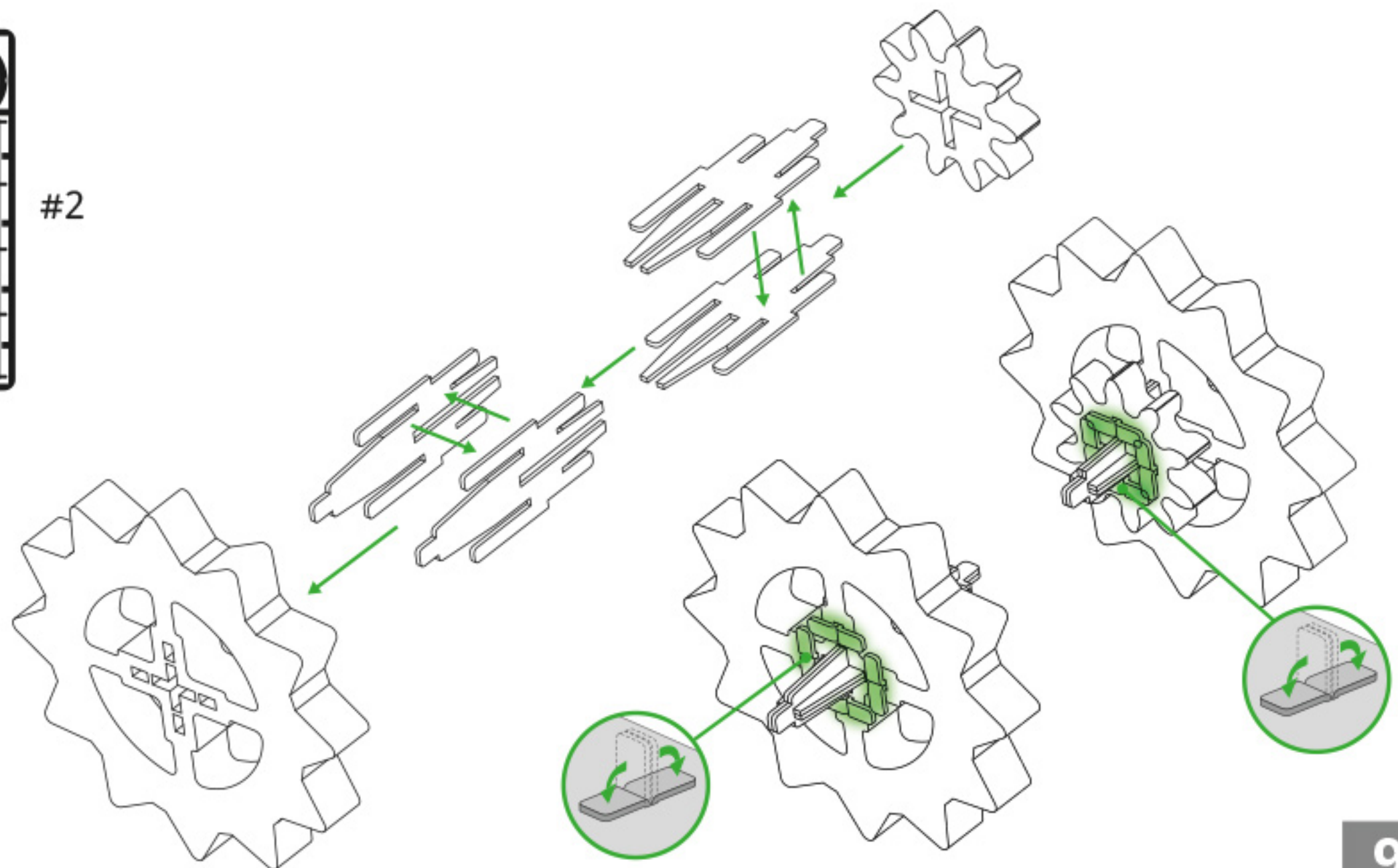
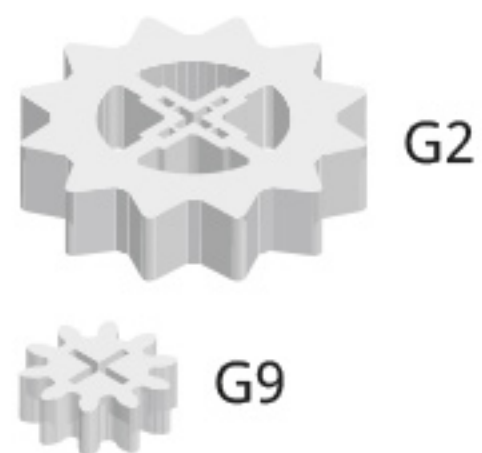
#2



8

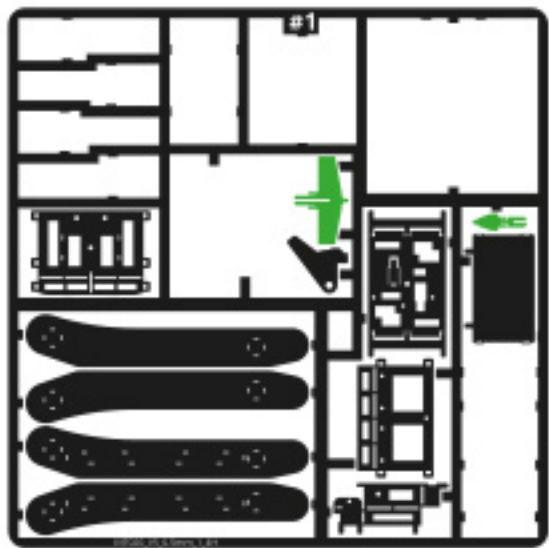


#2



9

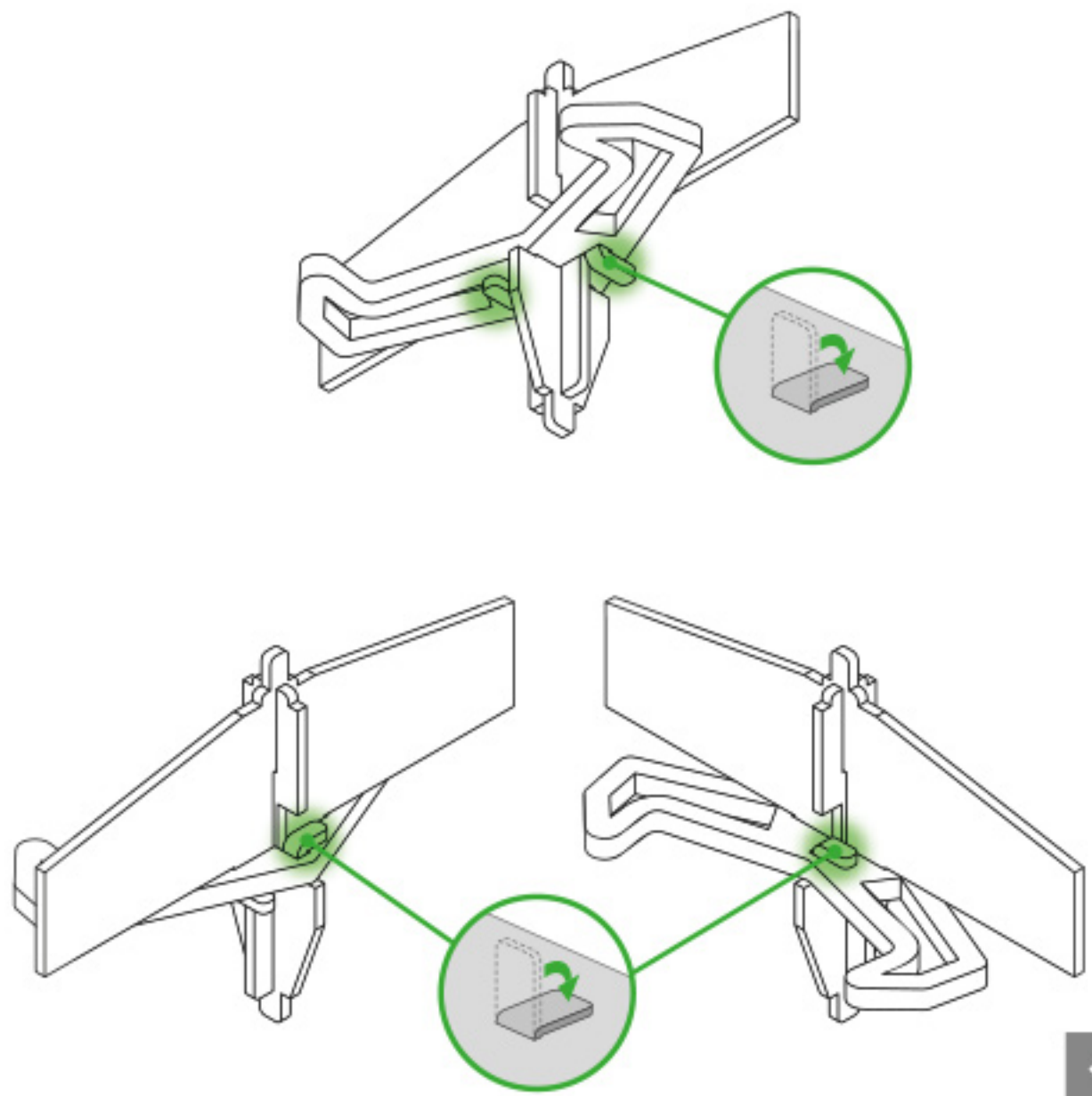
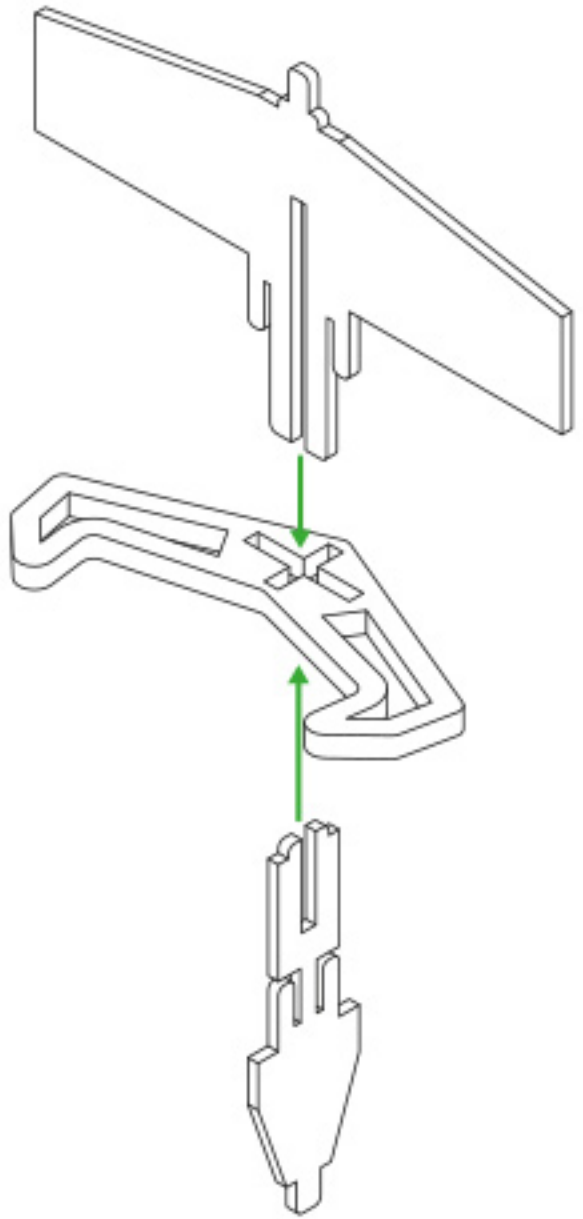
9



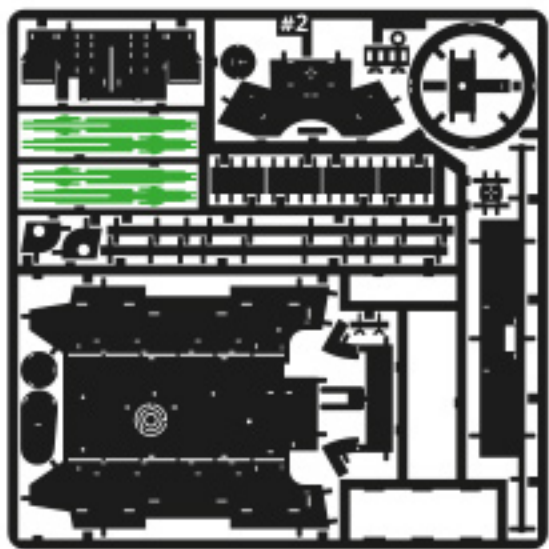
#1



D3



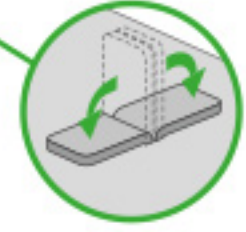
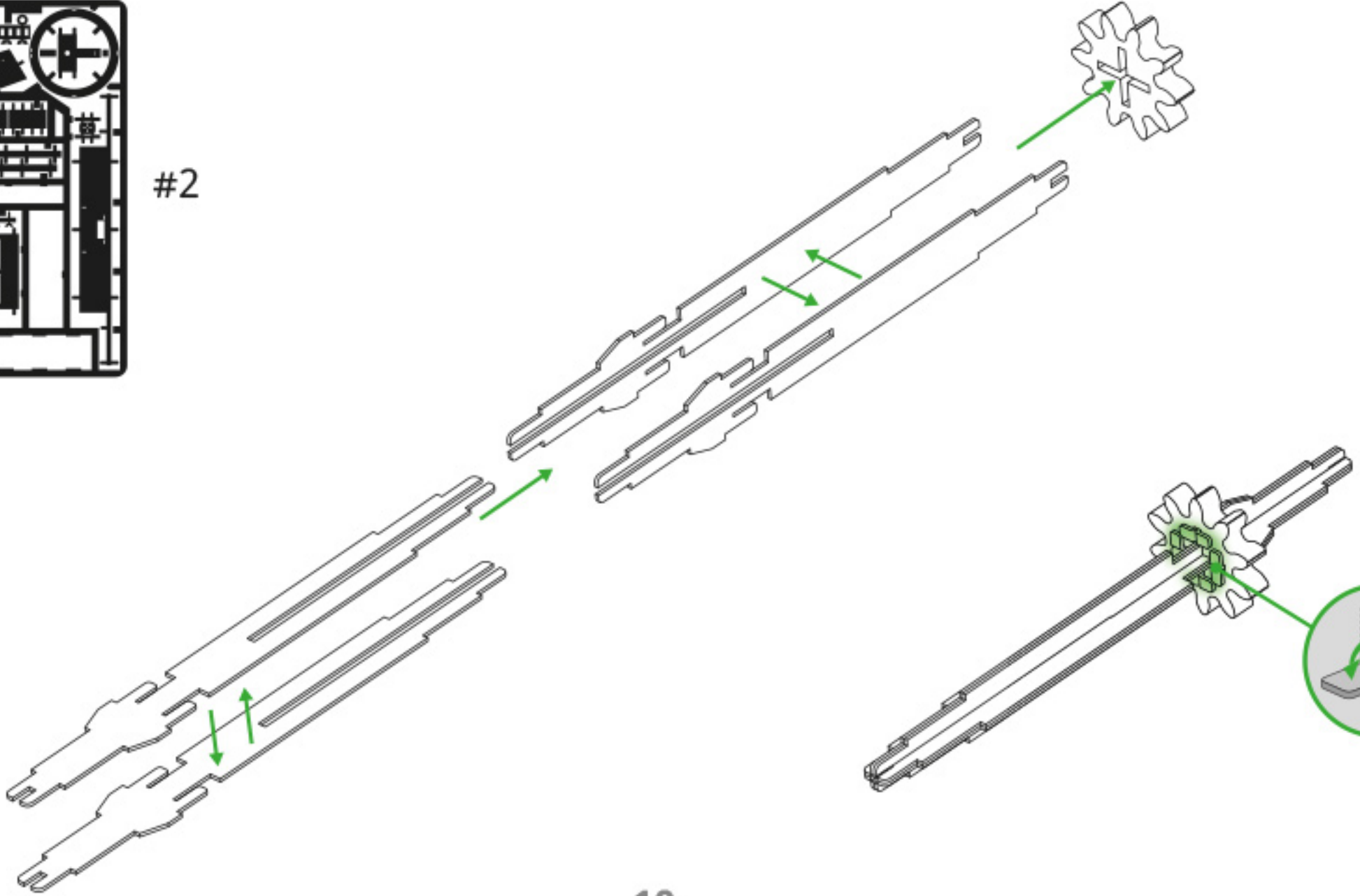
10



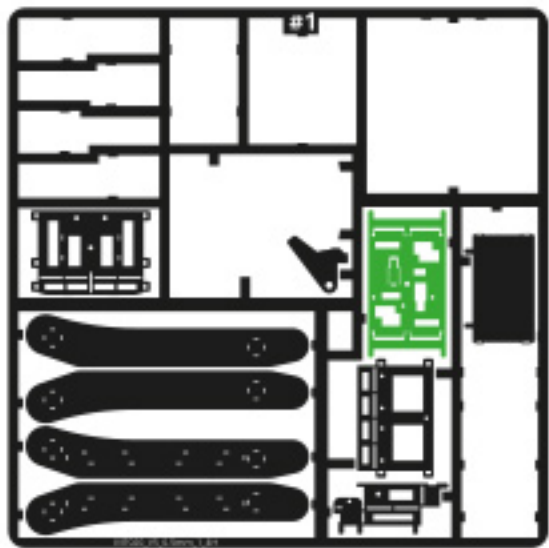
#2



G9



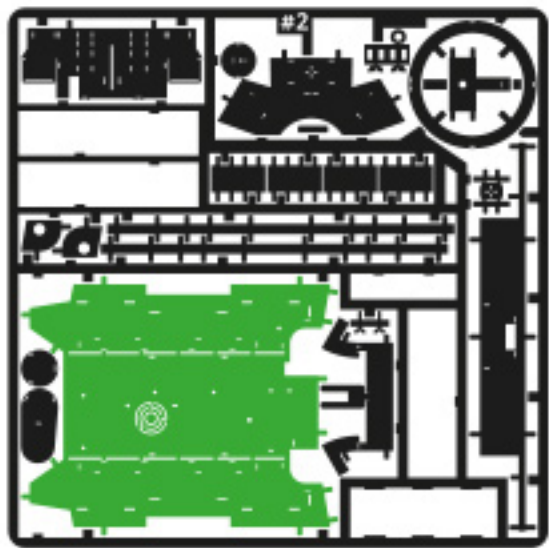
11



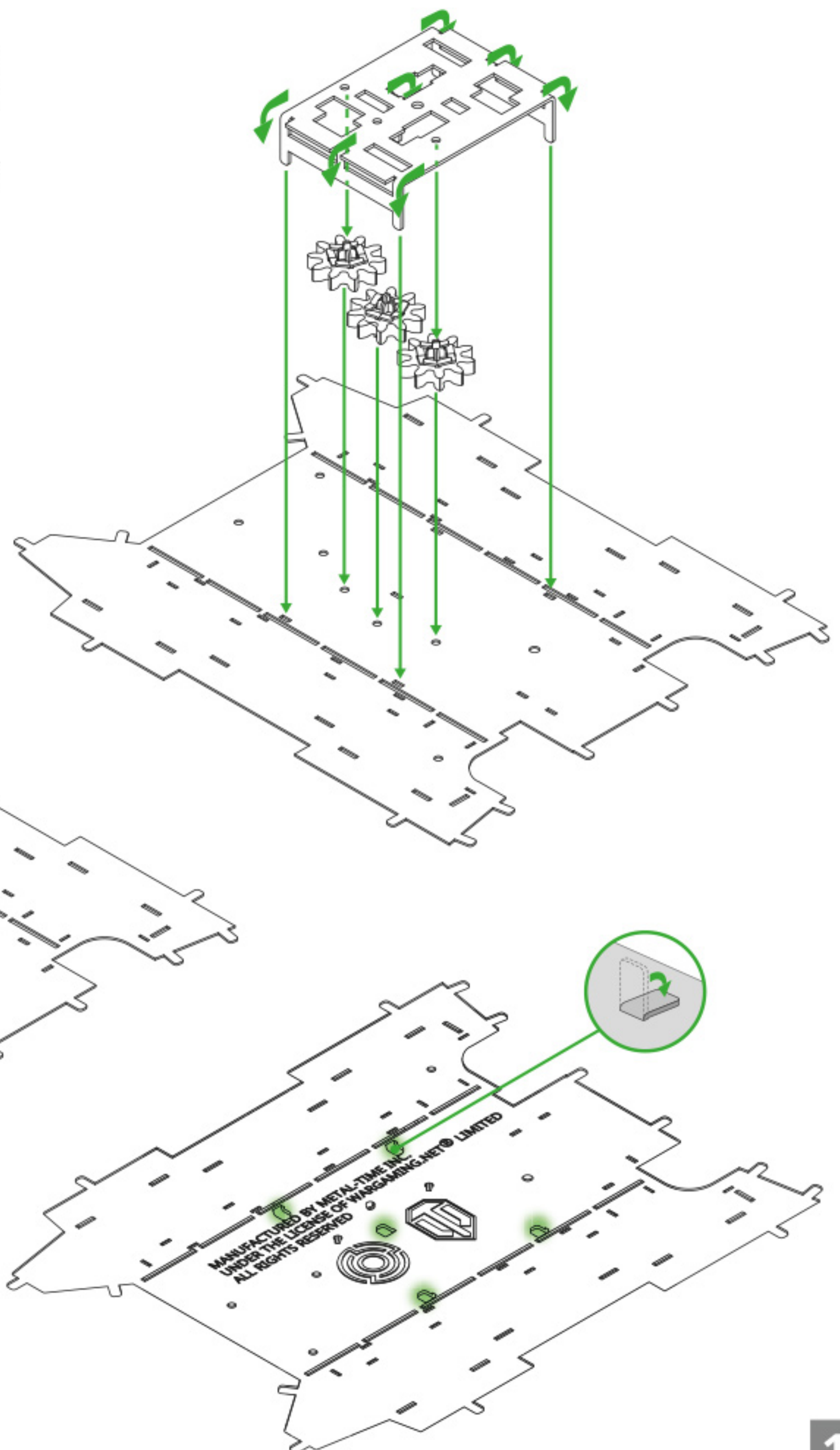
#1

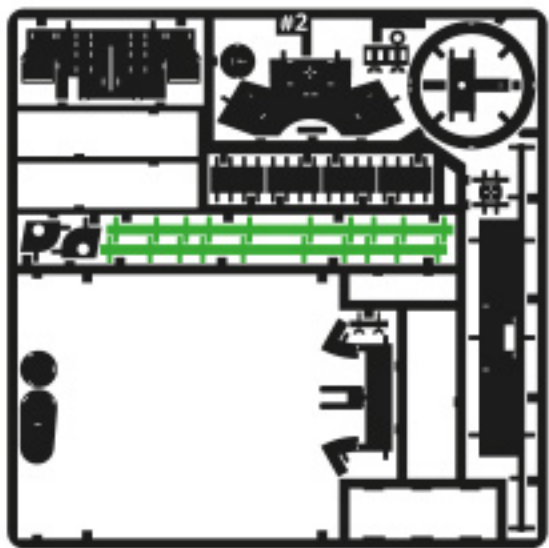


Assembly
step 4

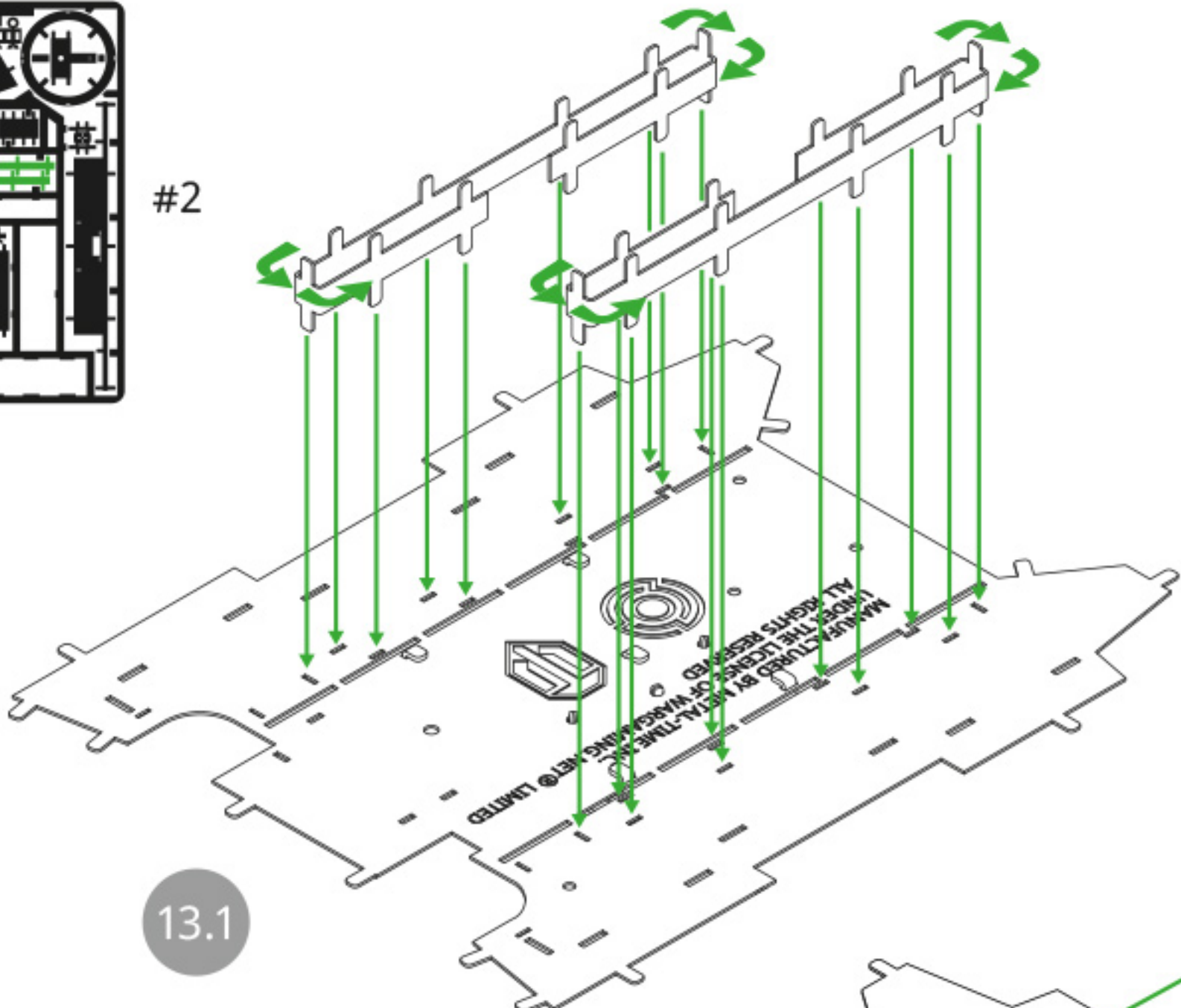


#2

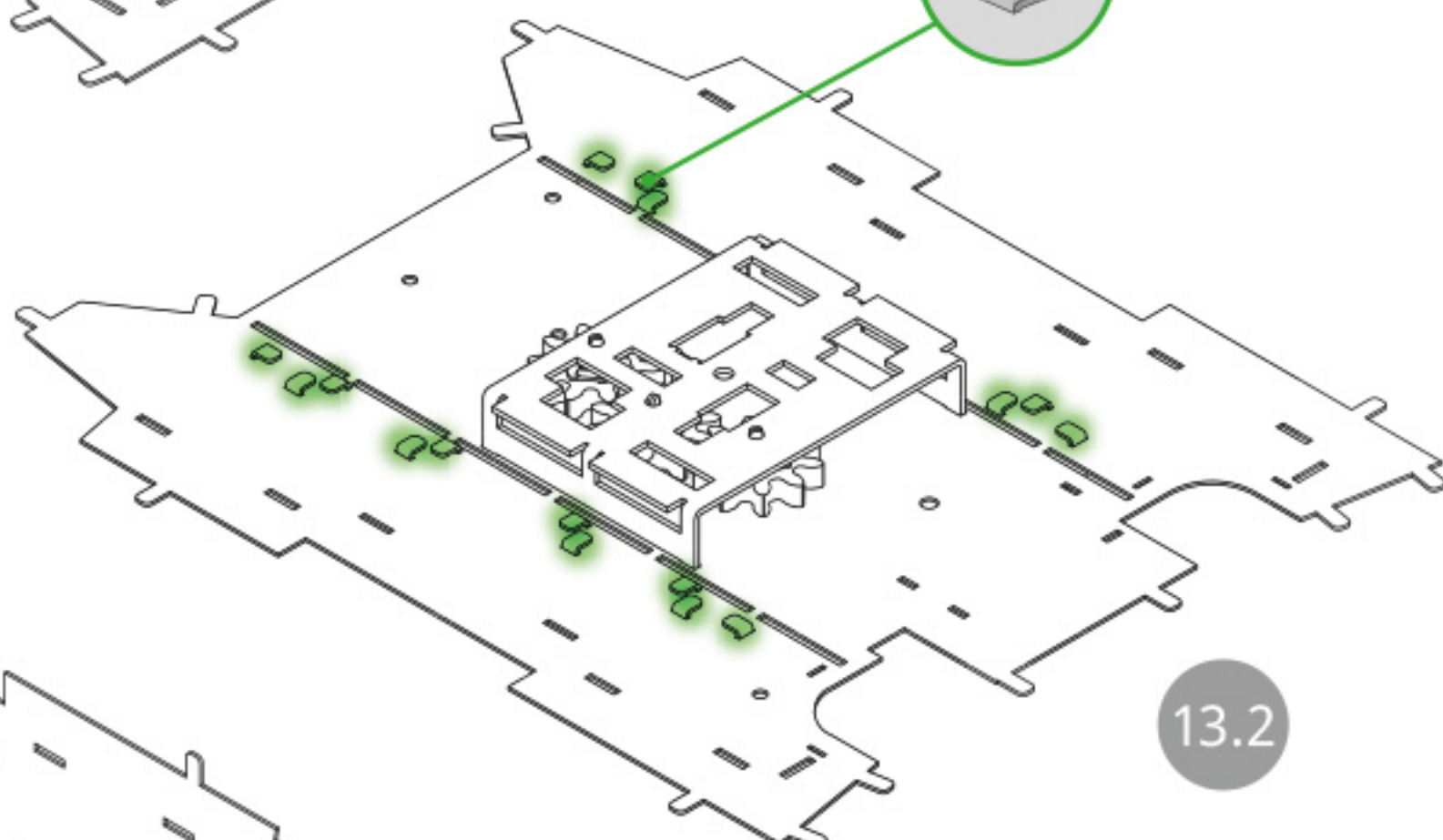




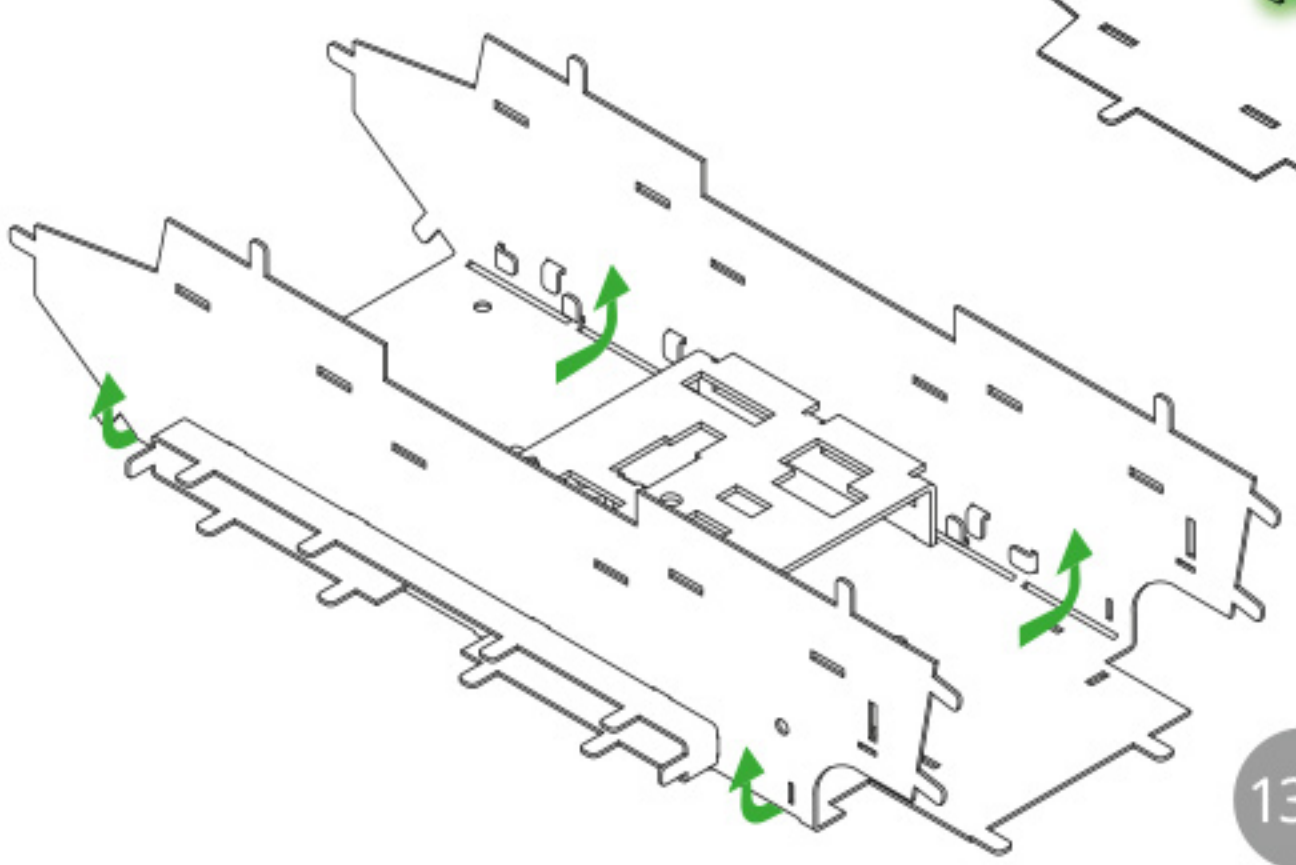
#2



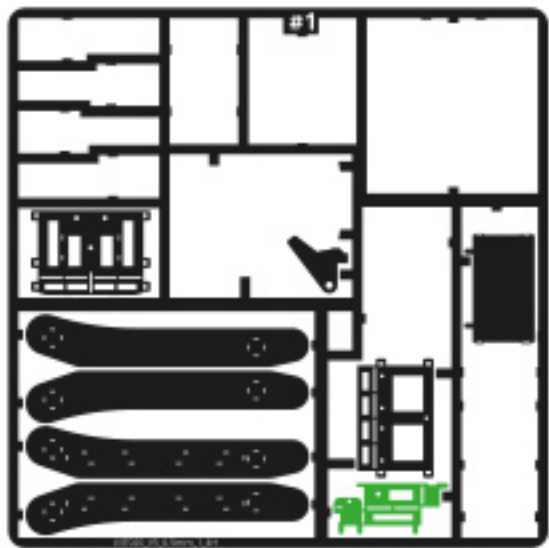
13.1



13.2



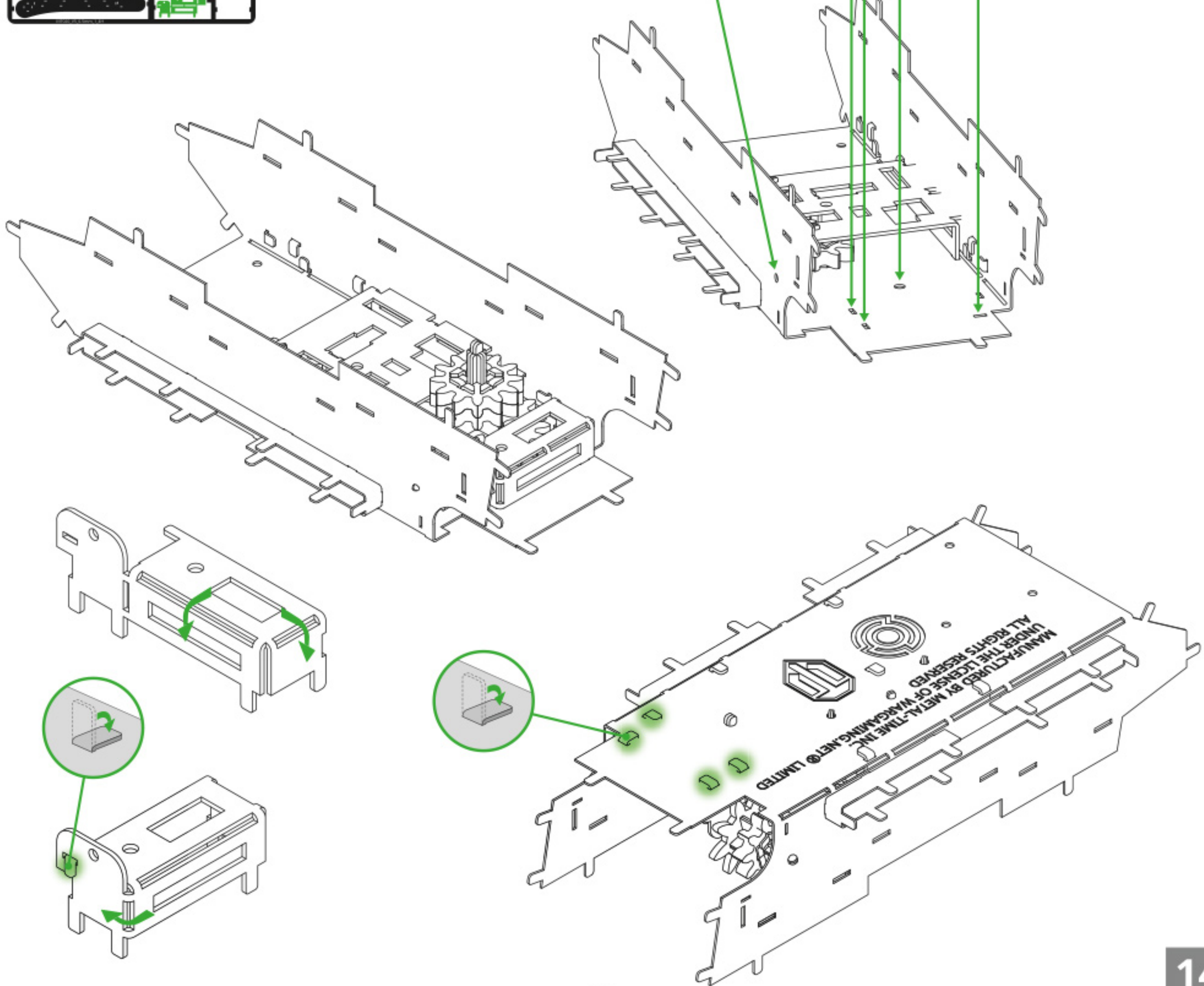
13.3

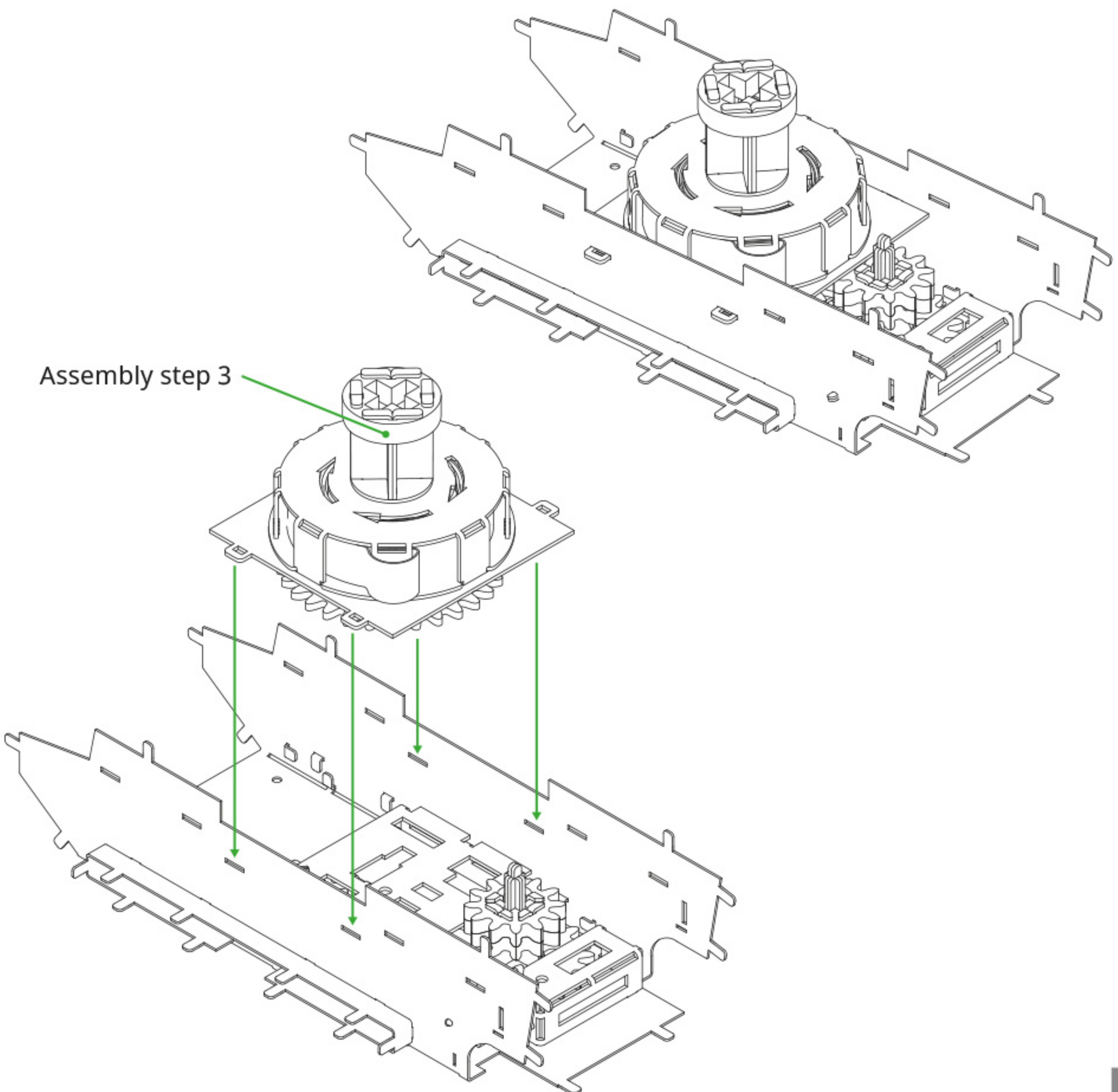


#1

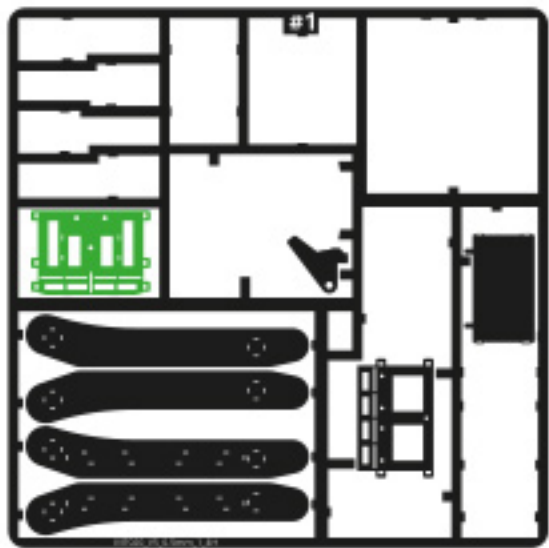
Assembly step 6

Assembly step 5

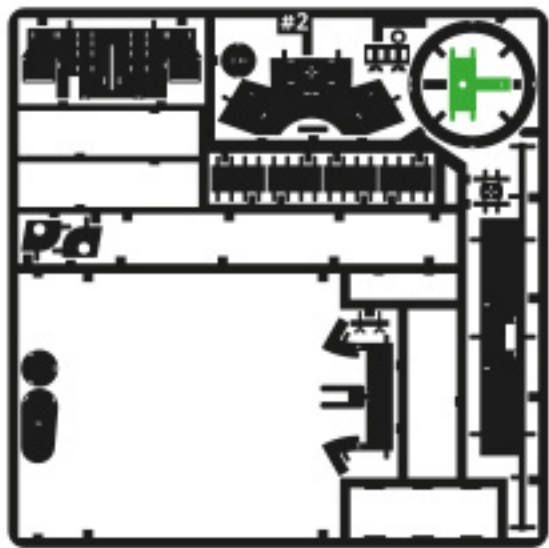




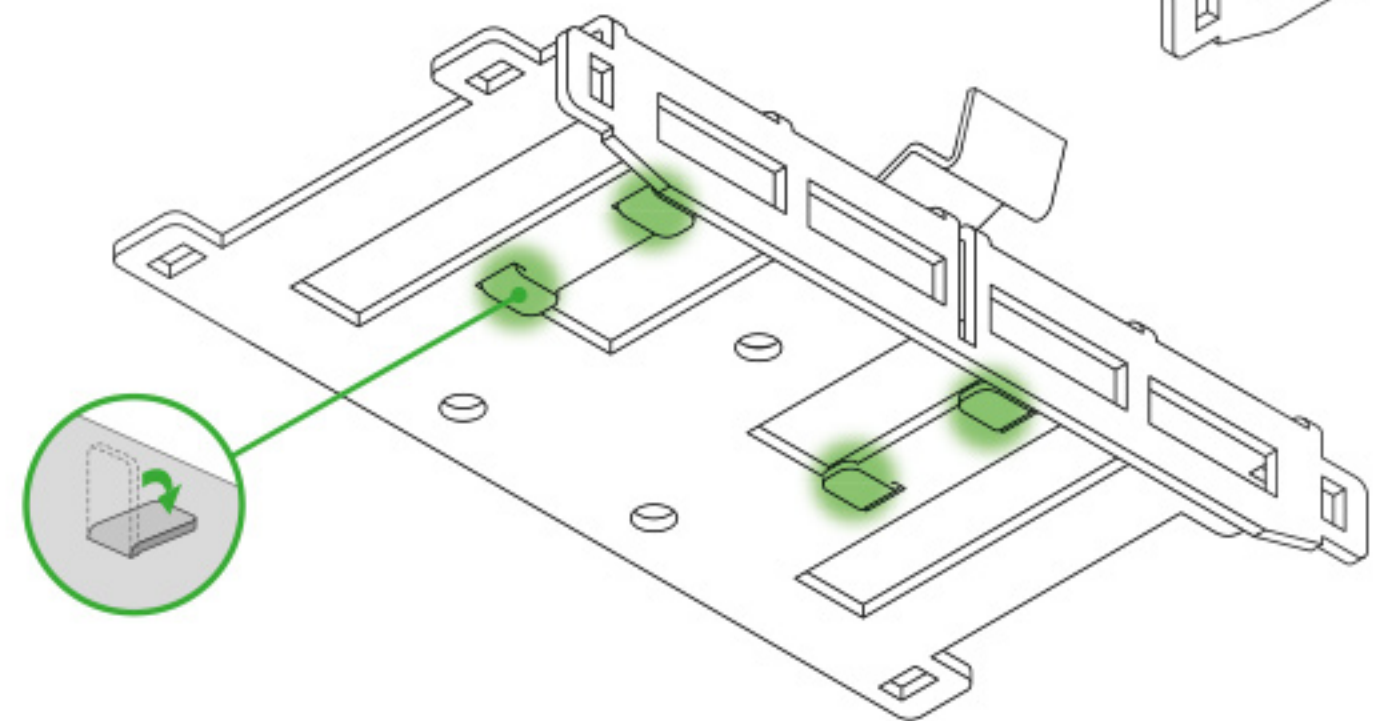
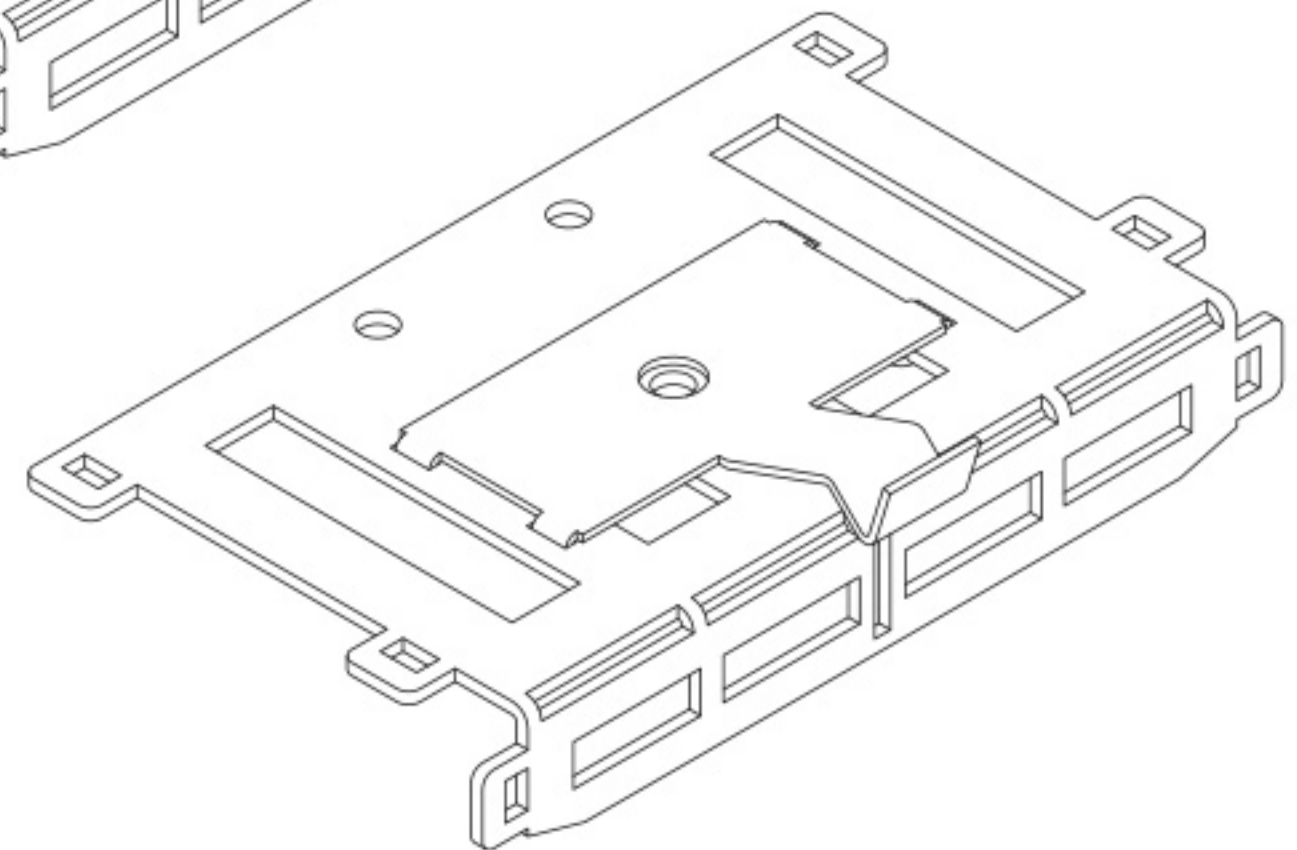
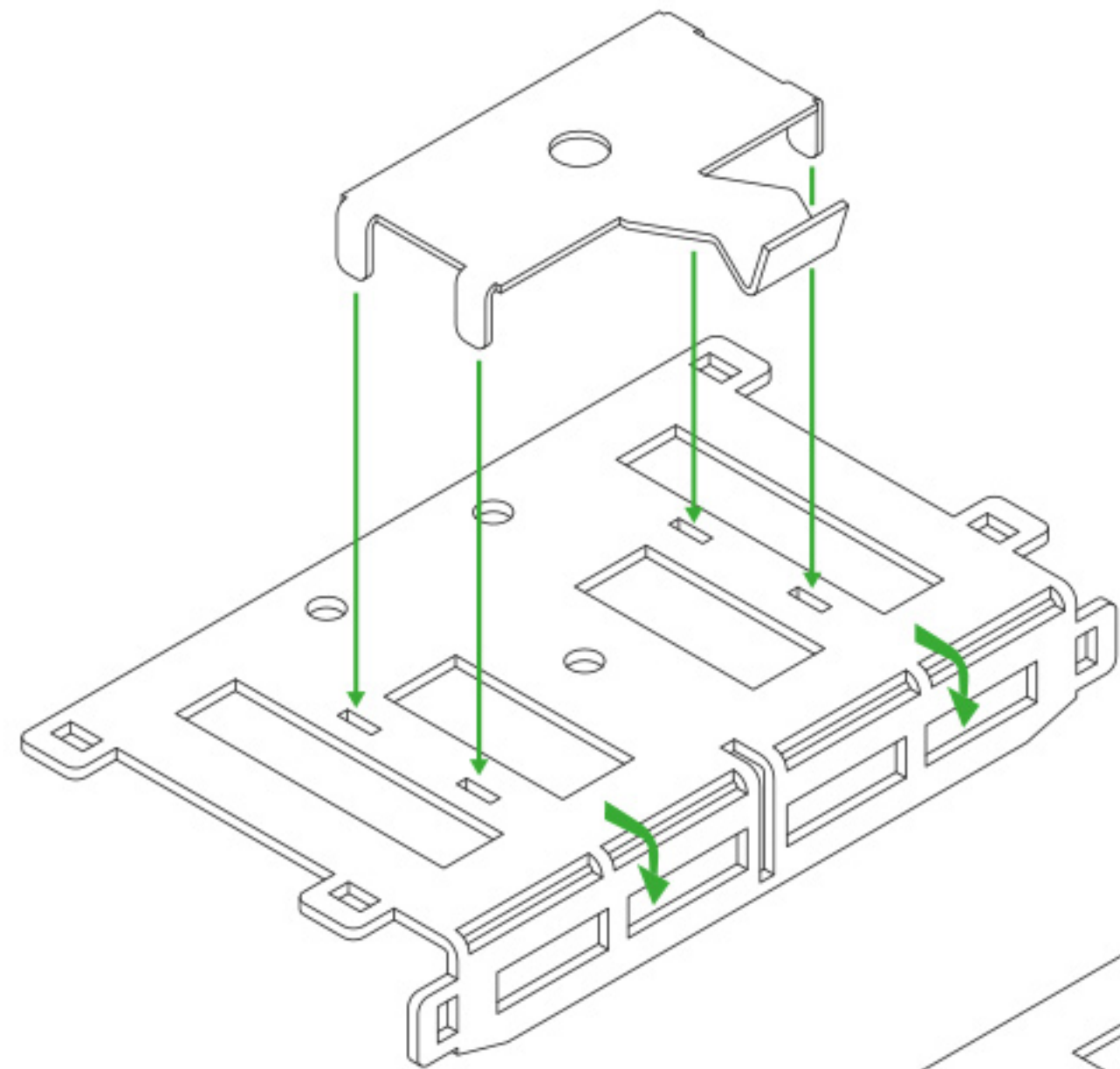
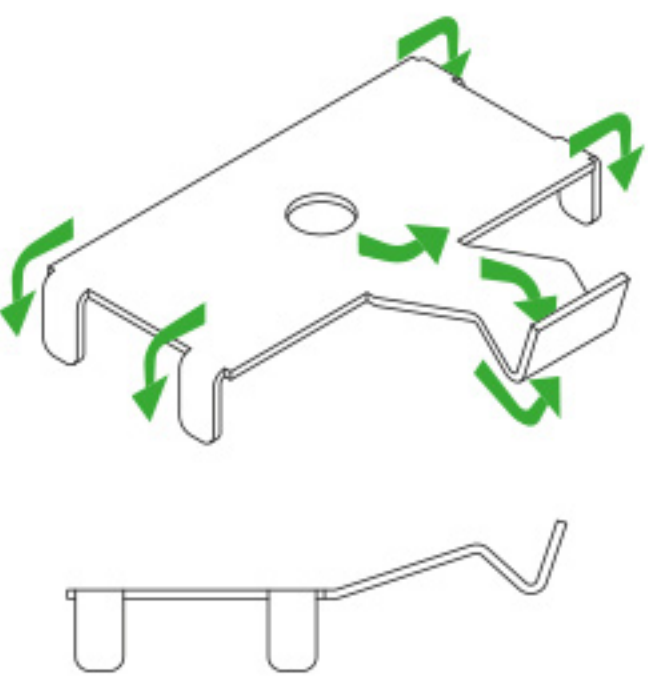
Assembly step 3

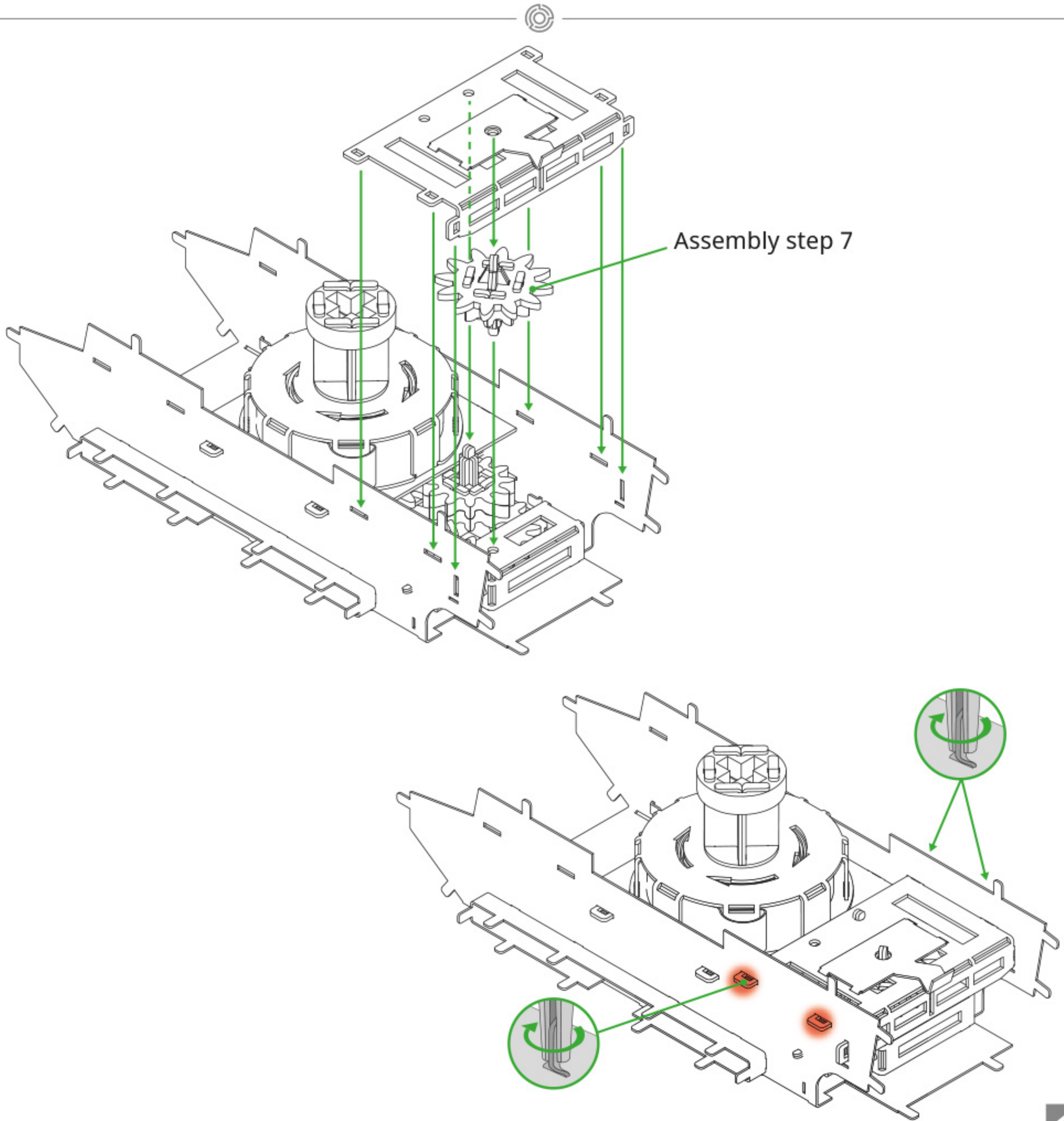


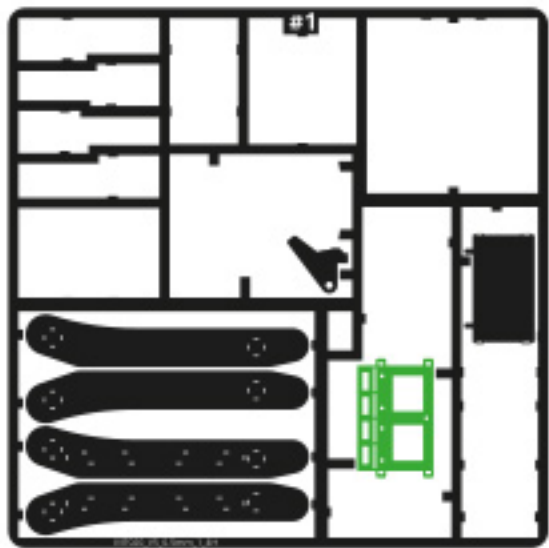
#1



#2





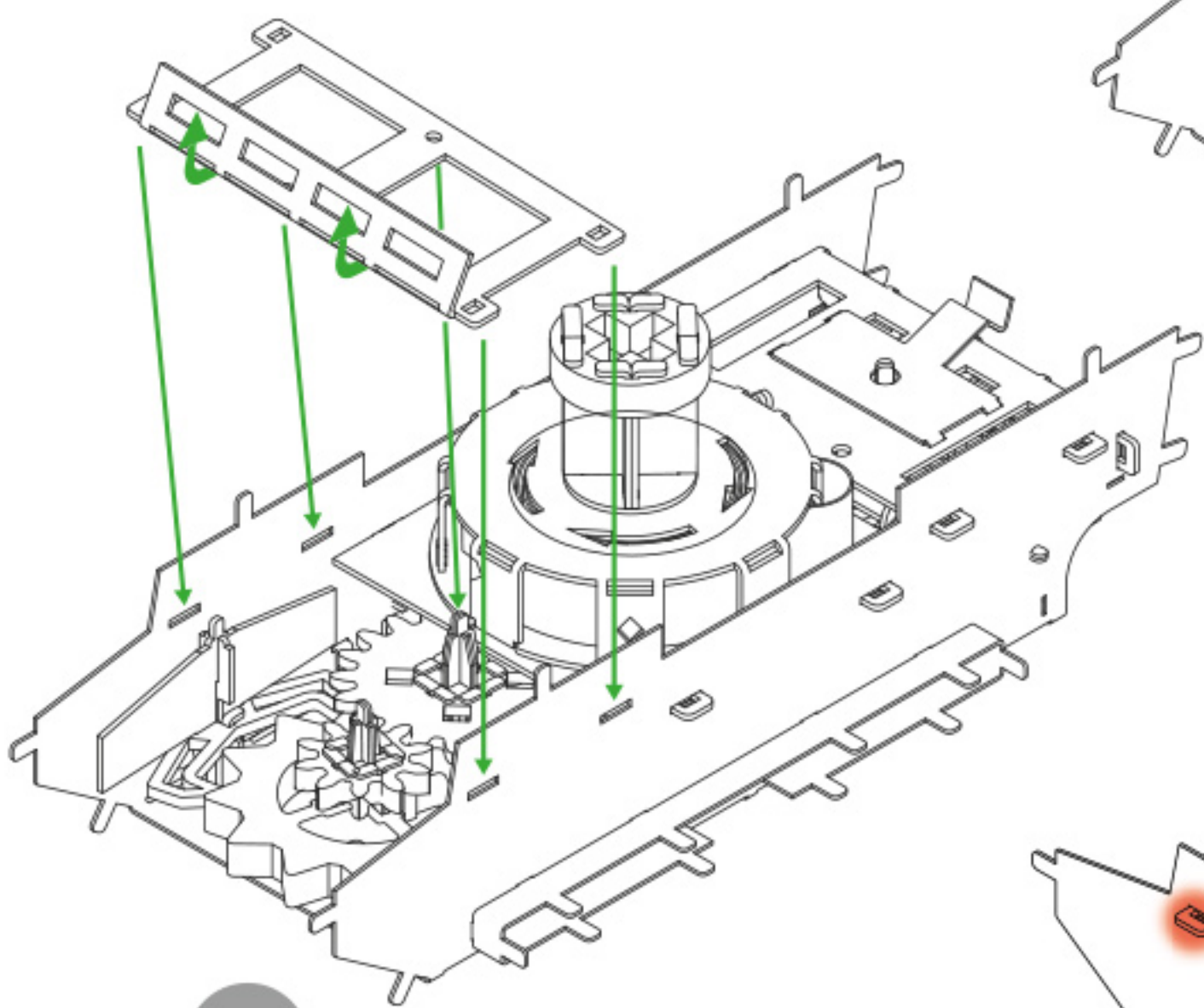


#1

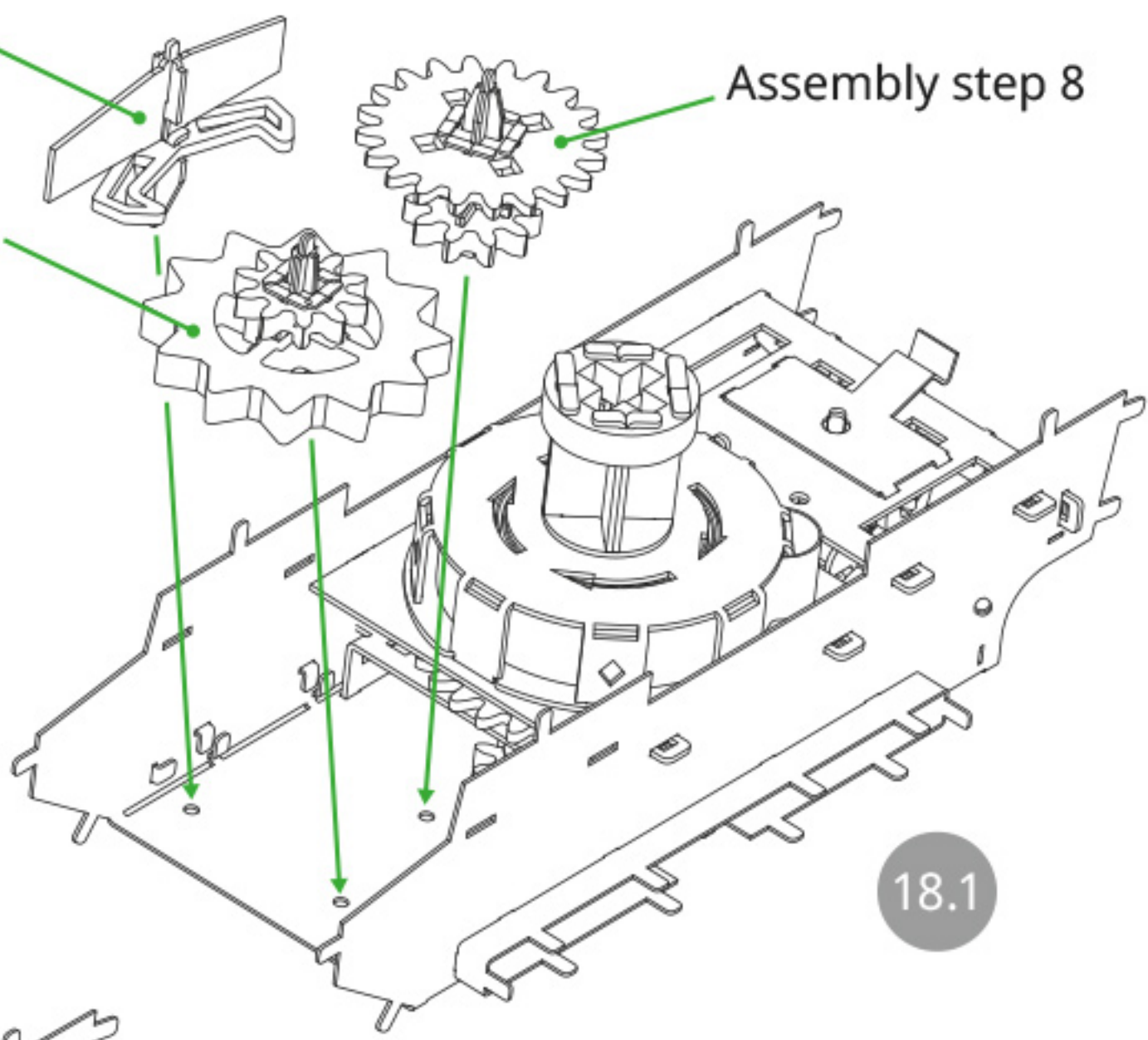
Assembly step 10

Assembly step 8

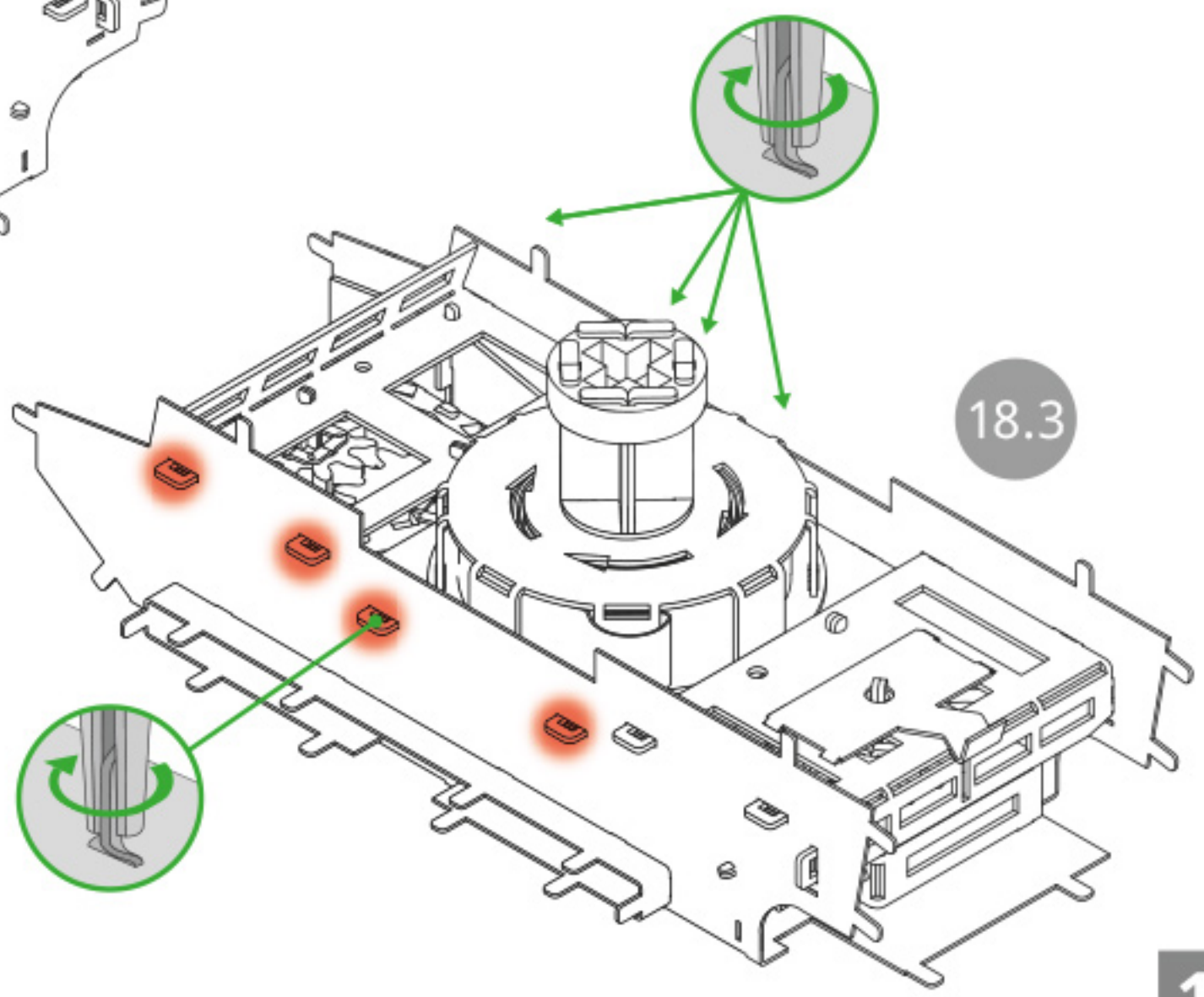
Assembly step 9



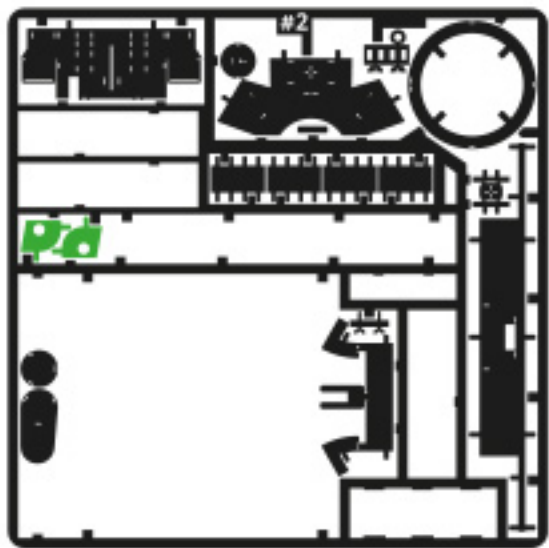
18.2



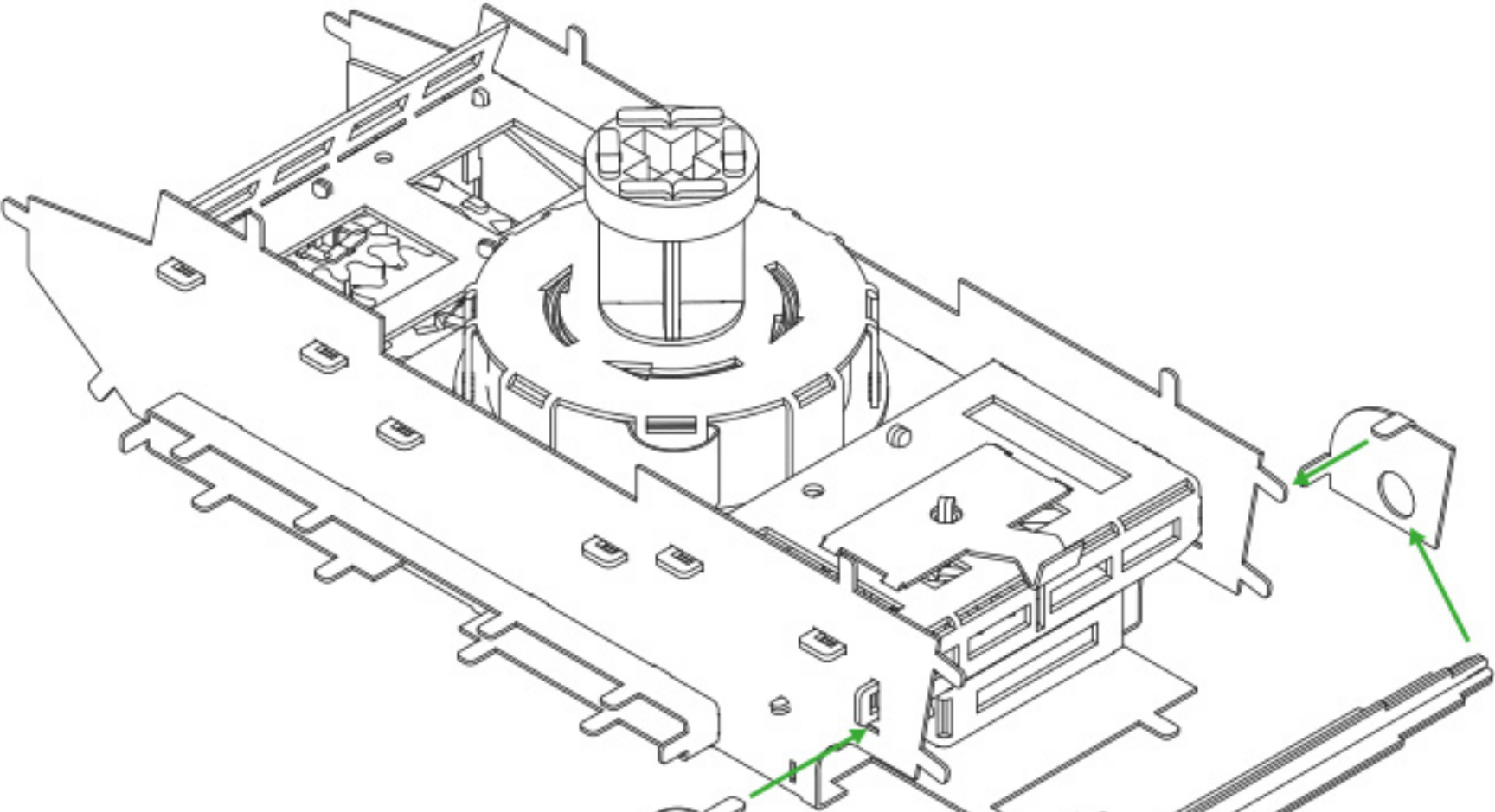
18.1



18.3

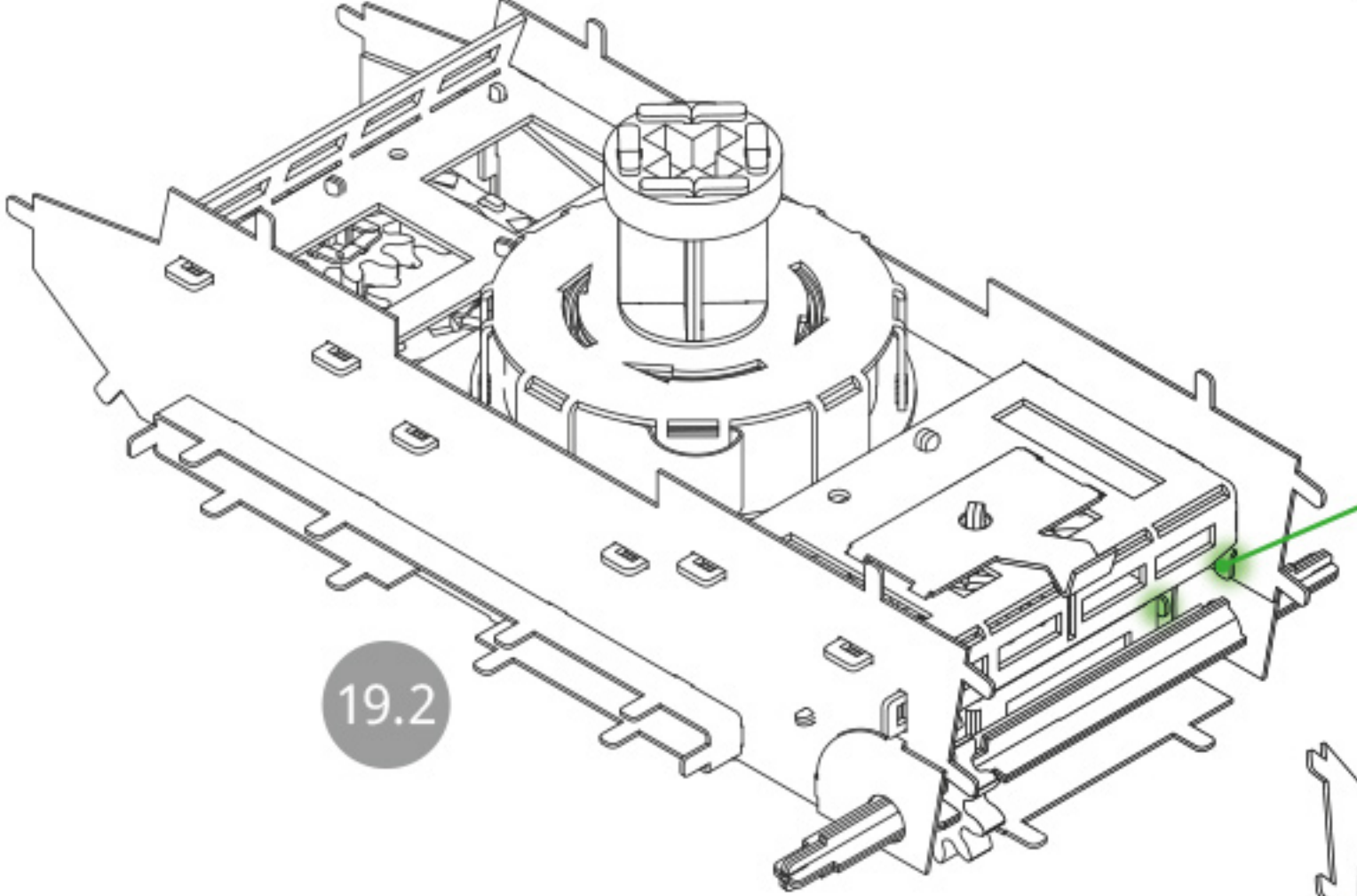


#2

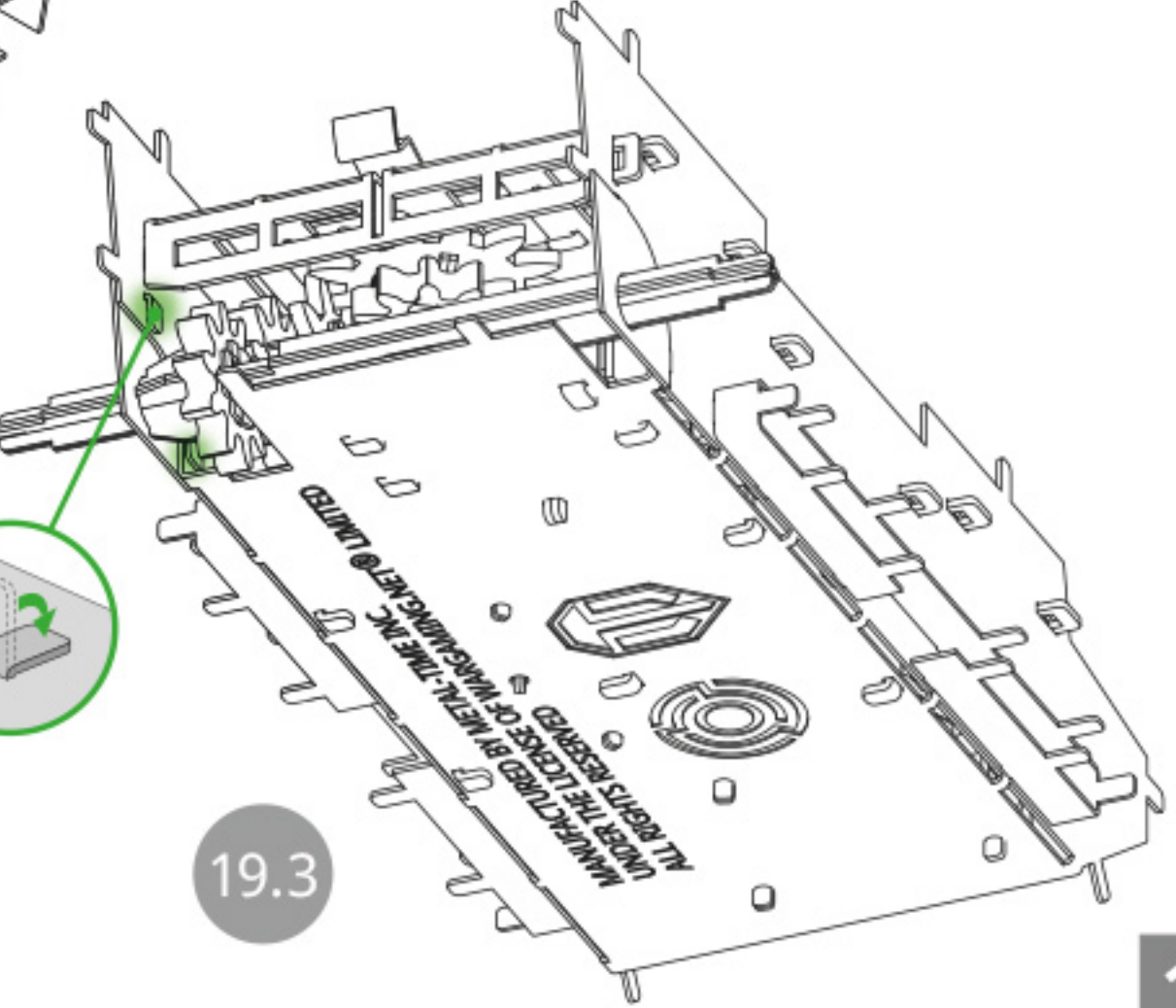


19.1

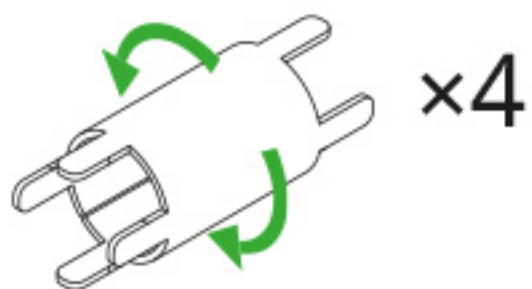
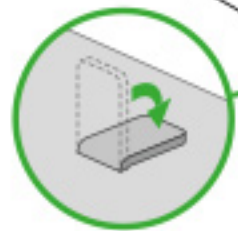
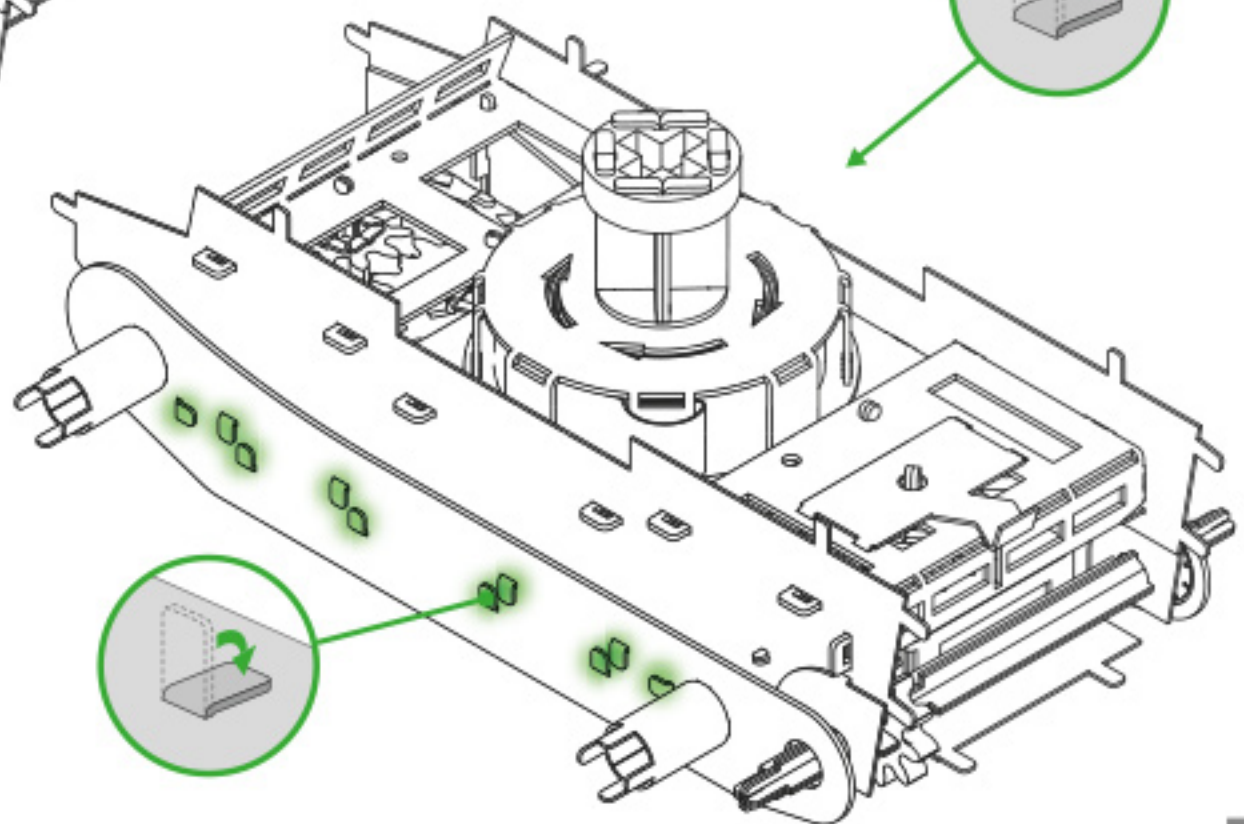
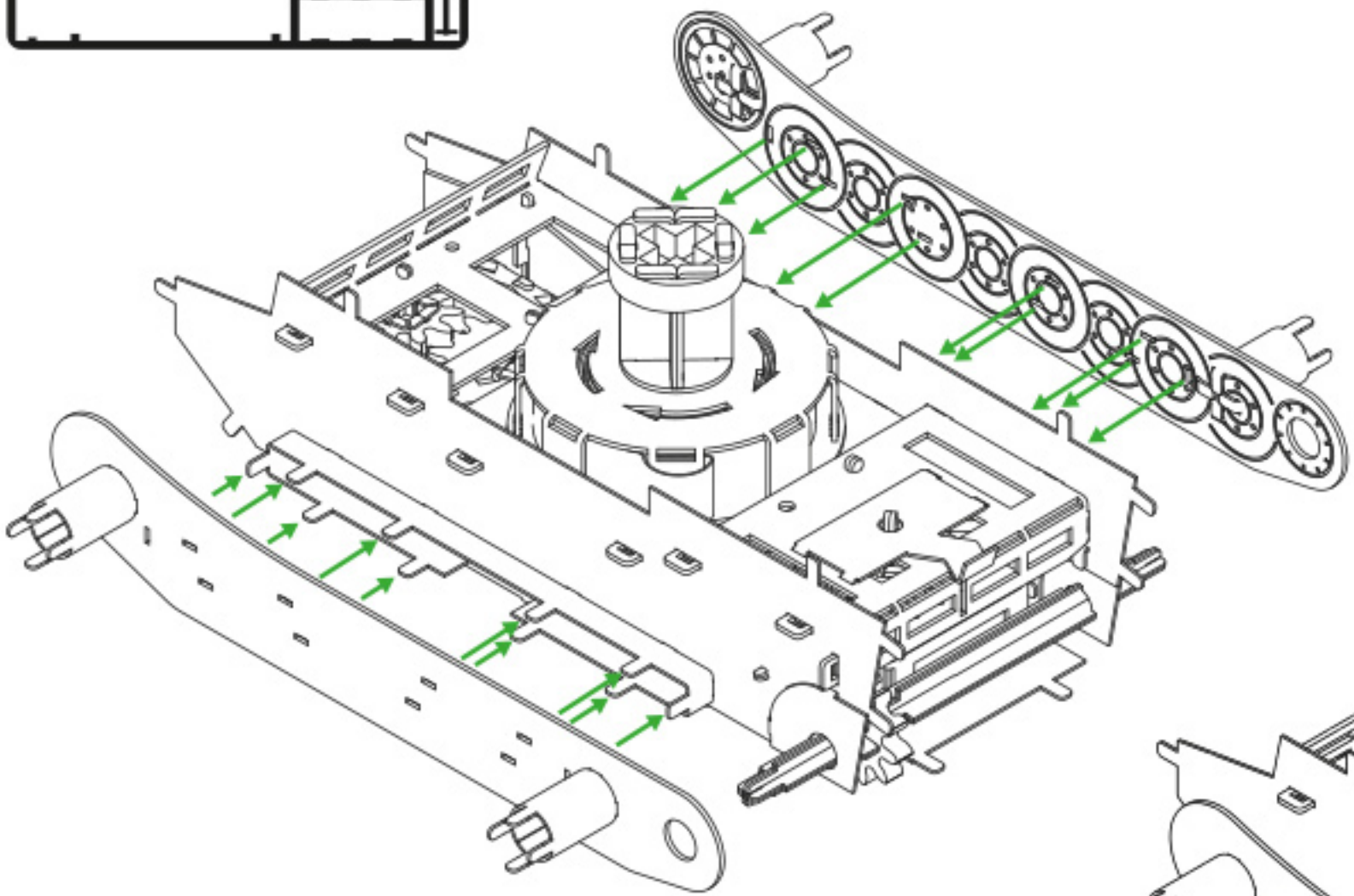
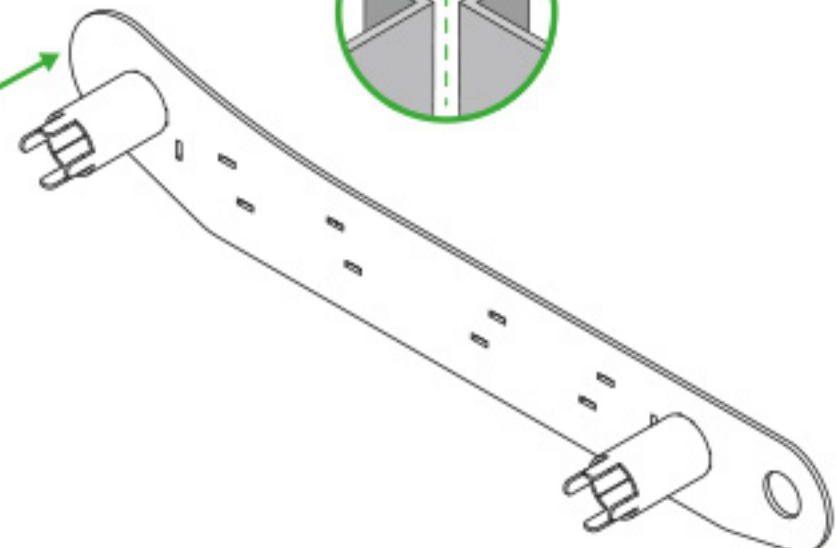
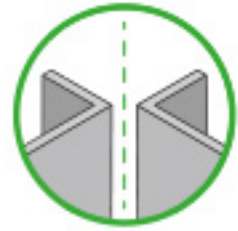
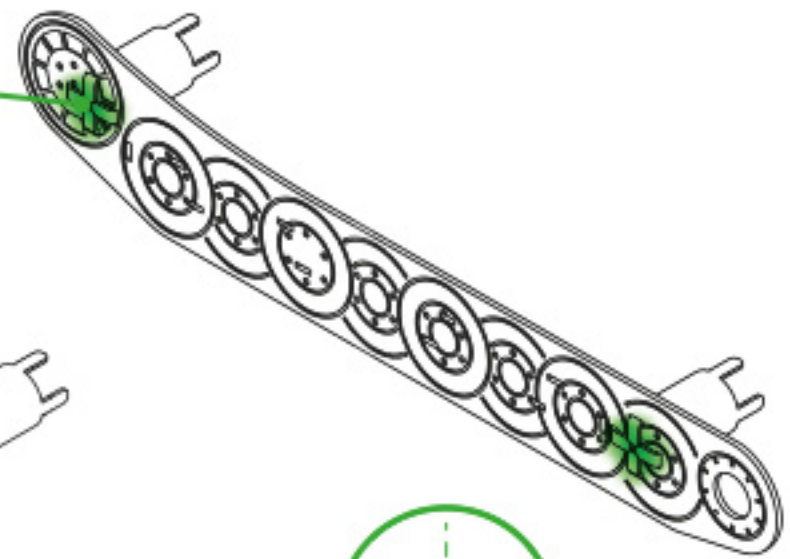
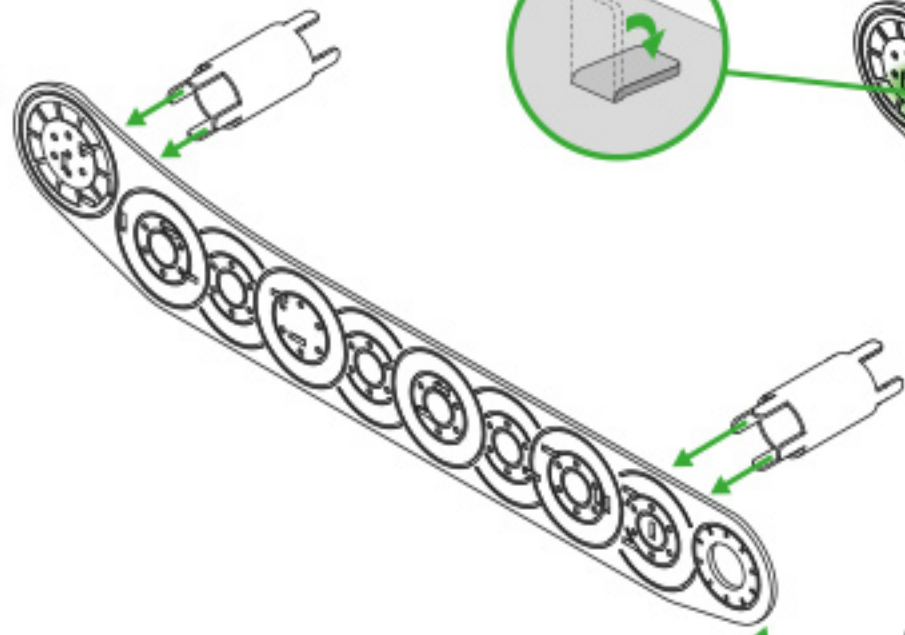
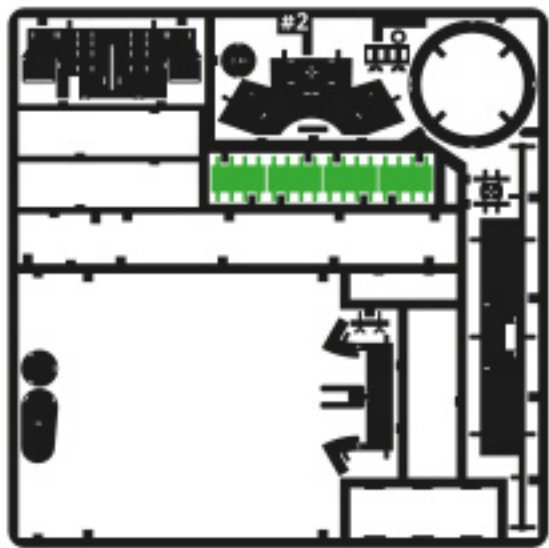
Assembly step 11

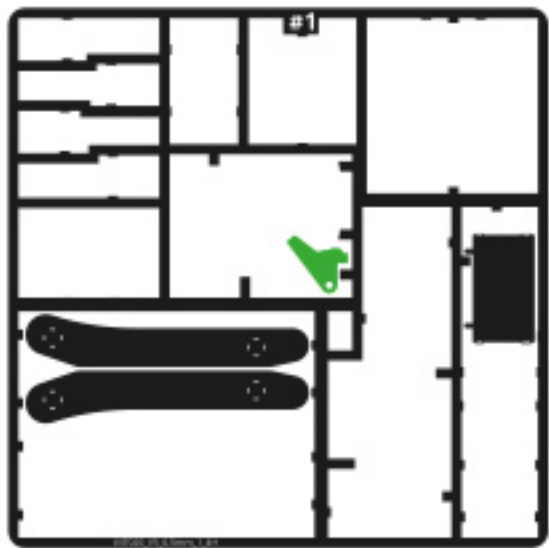


19.2

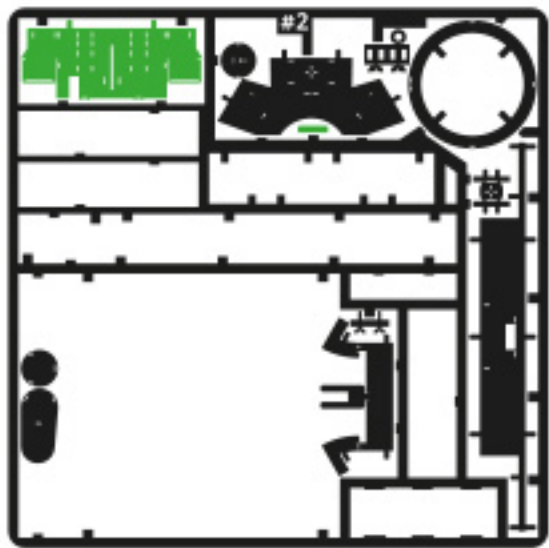


19.3

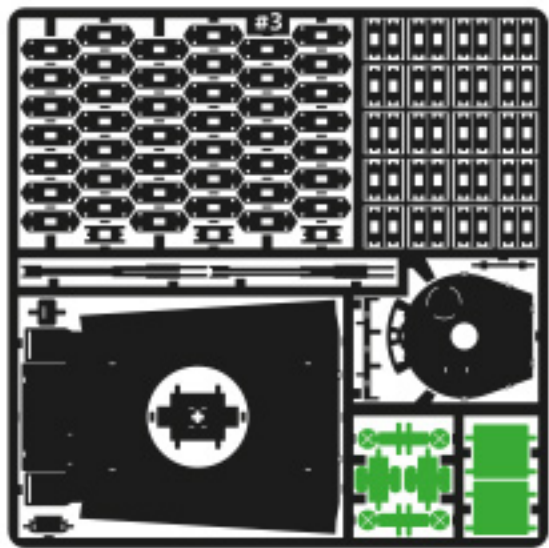




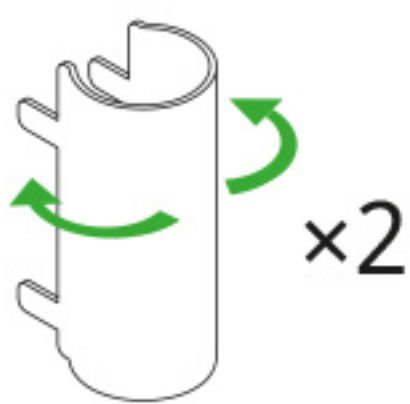
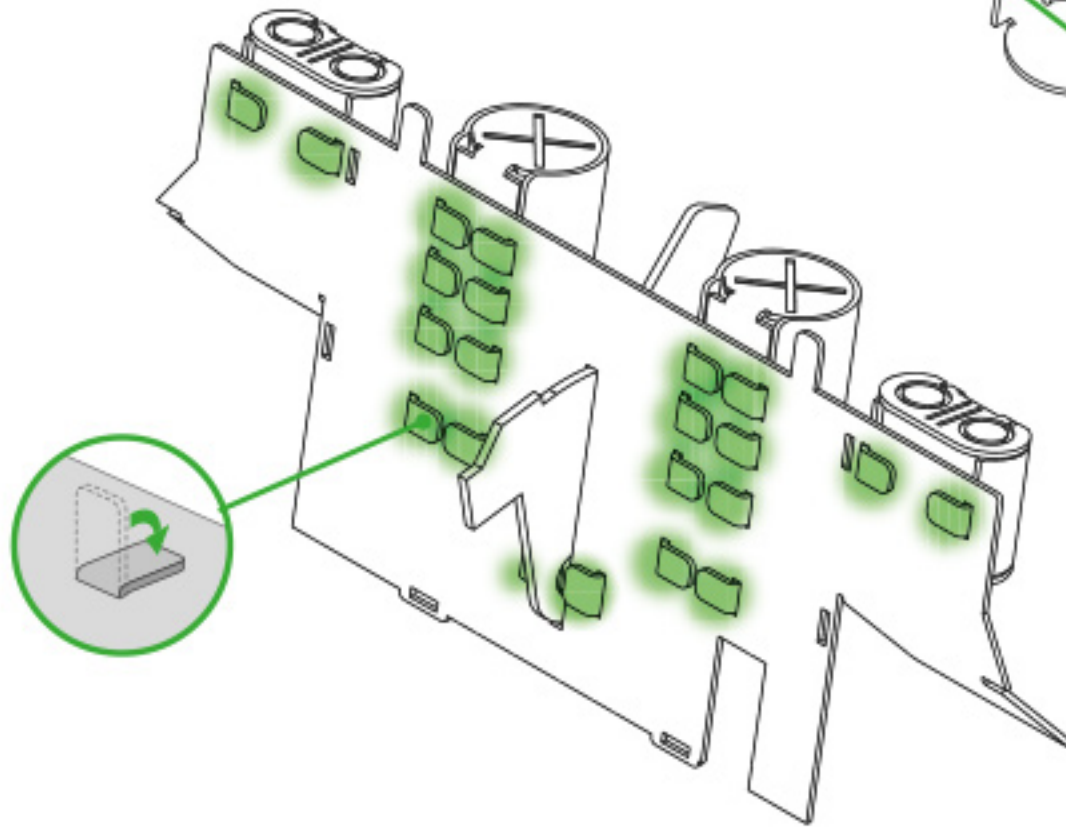
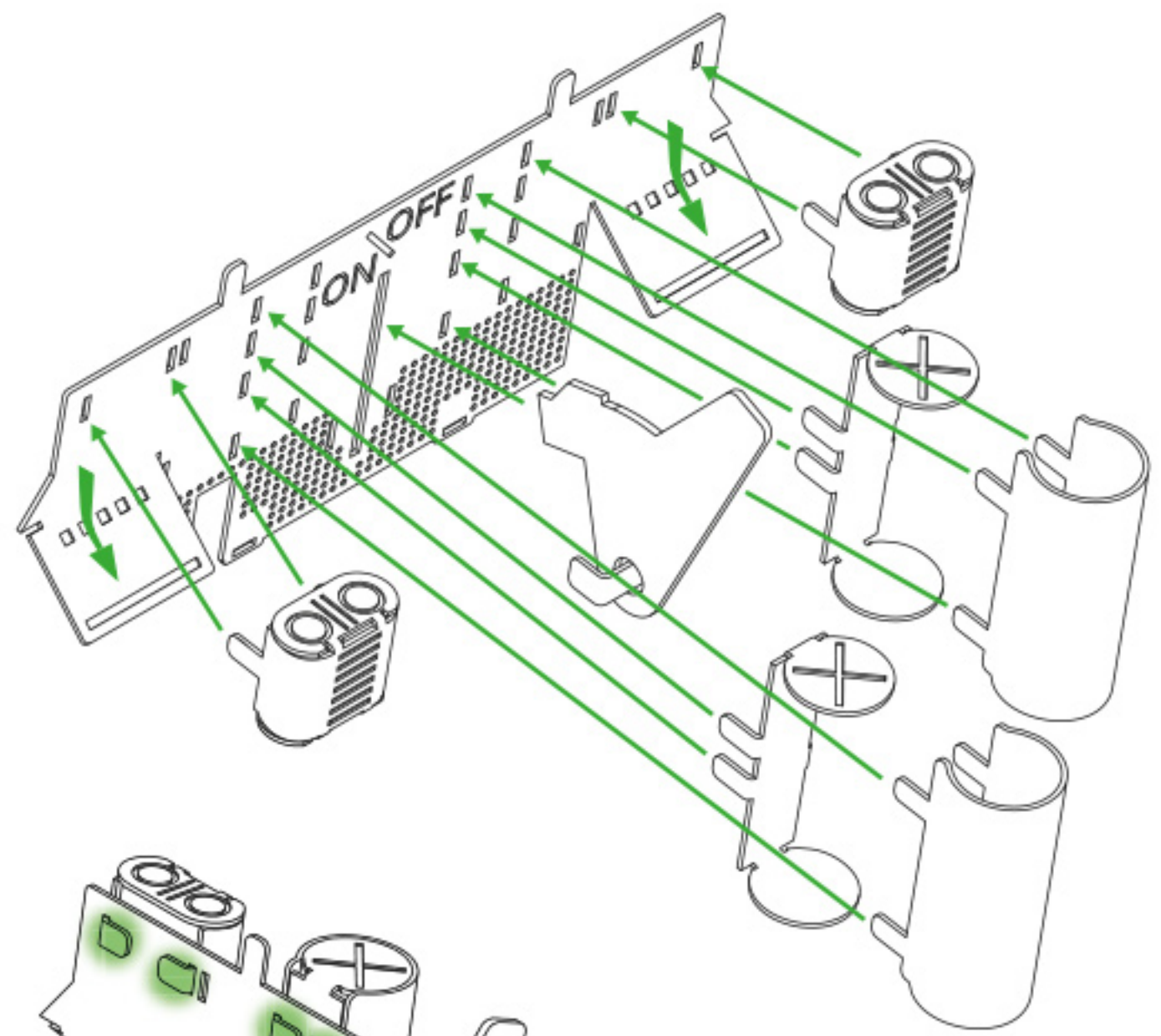
#1



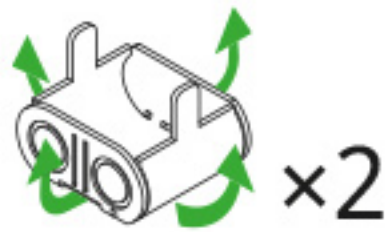
#2



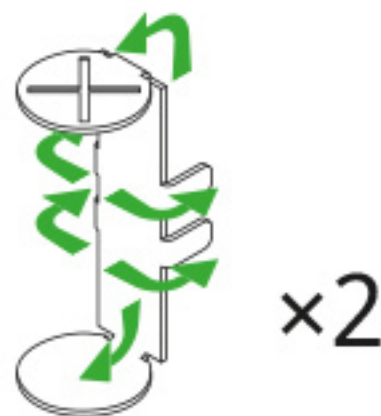
#3



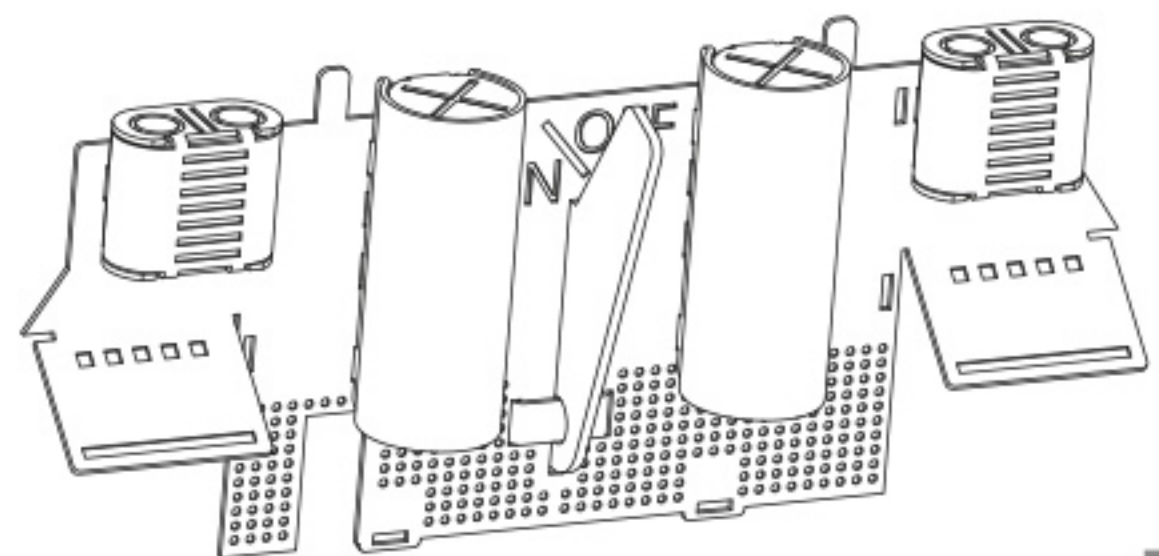
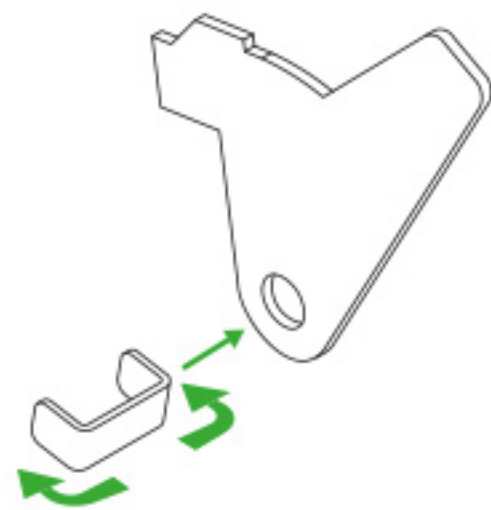
x2

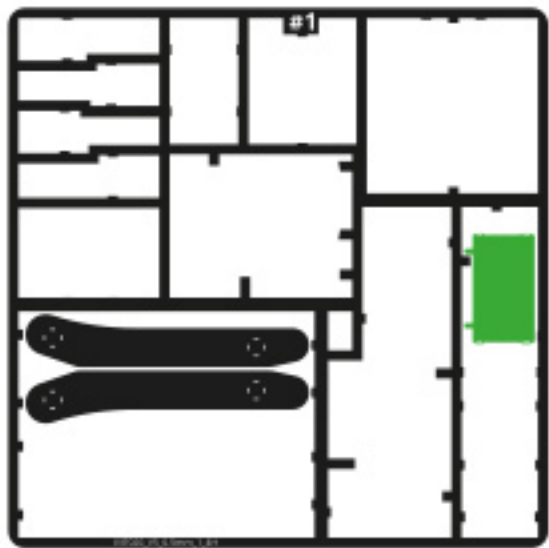


x2

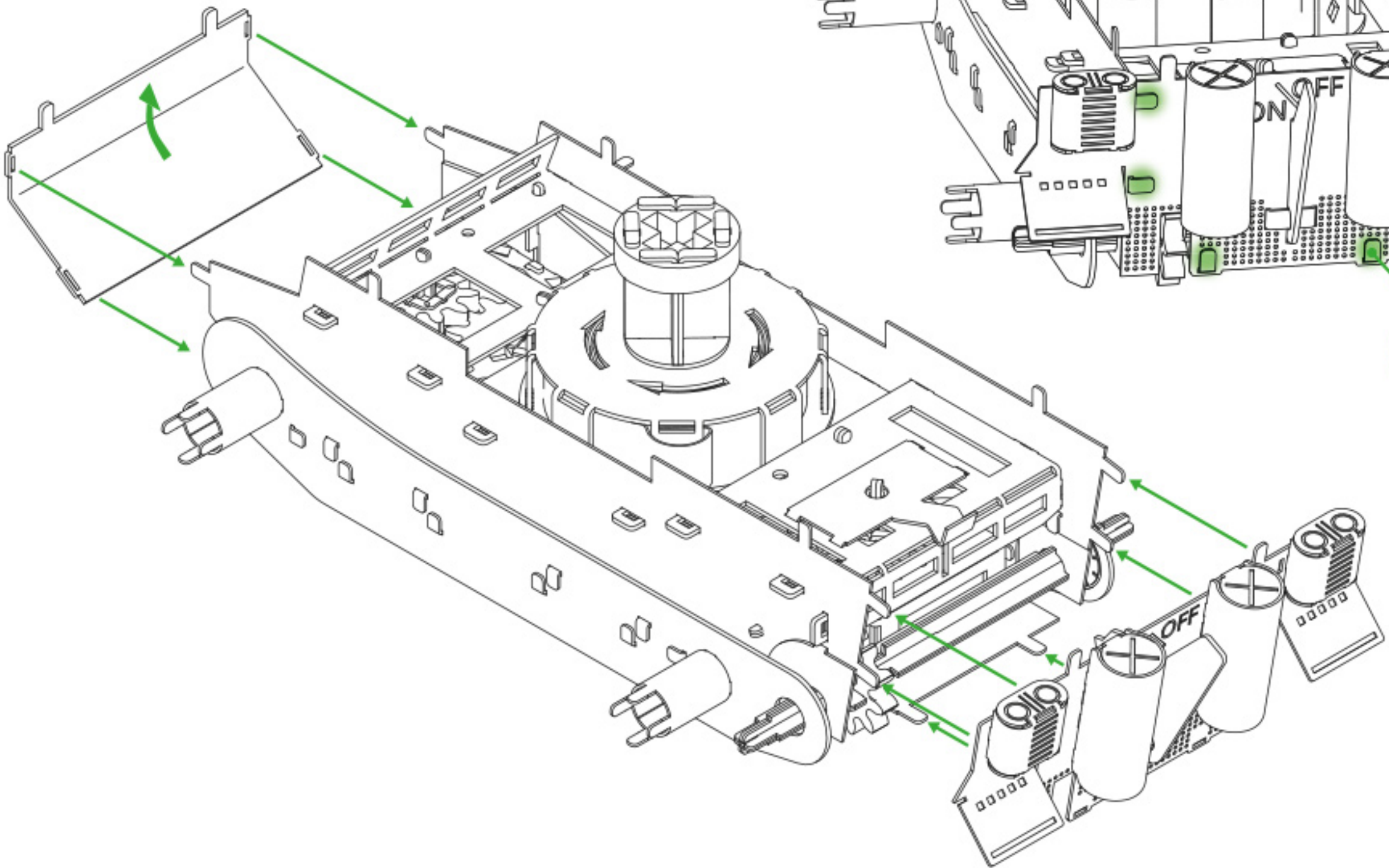
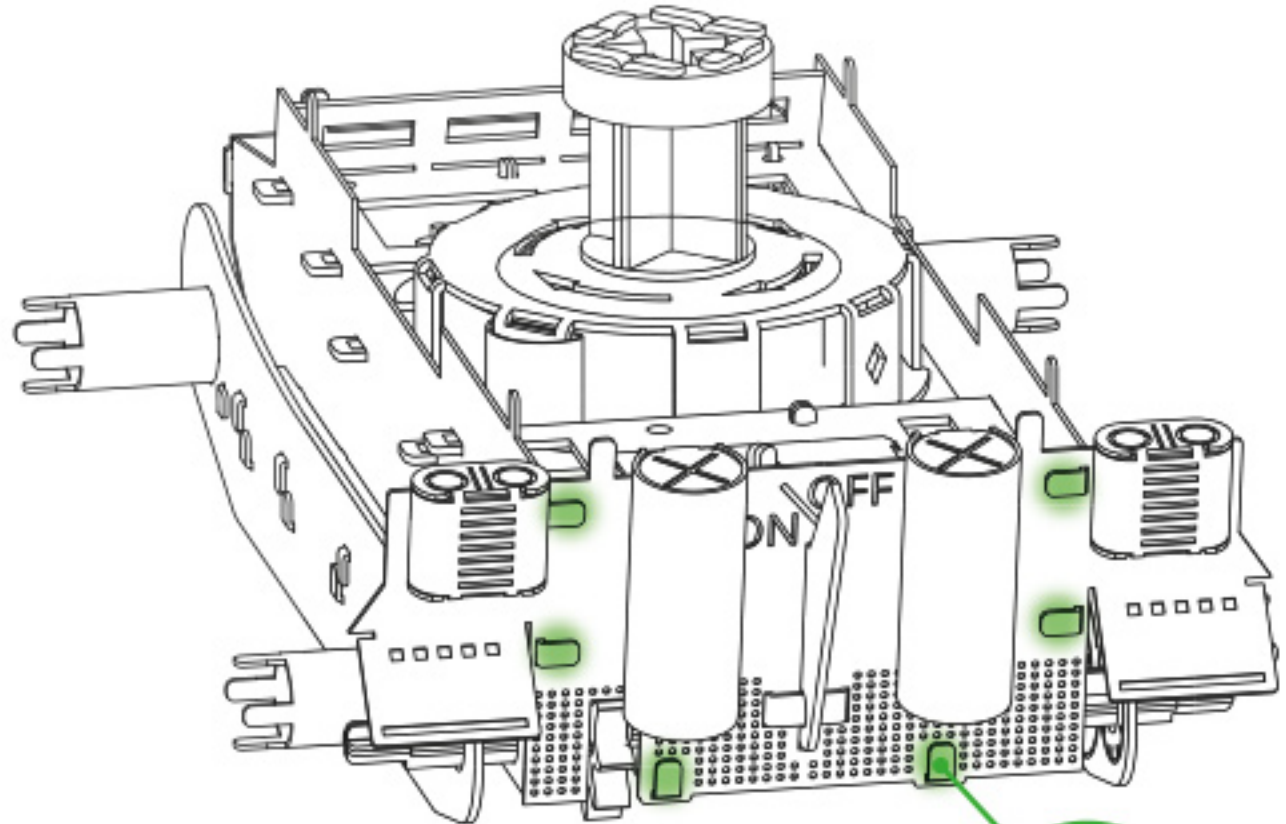
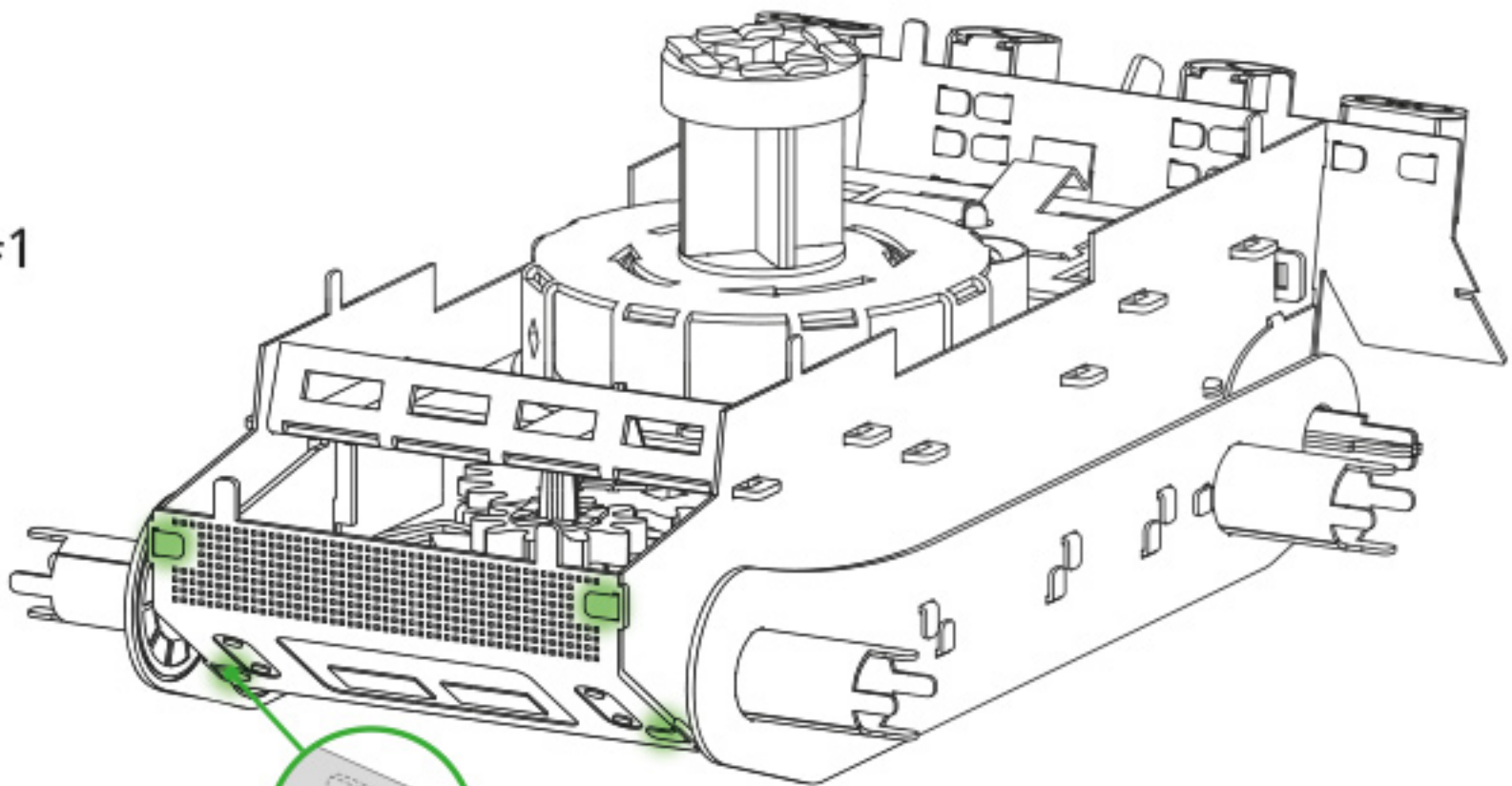


x2



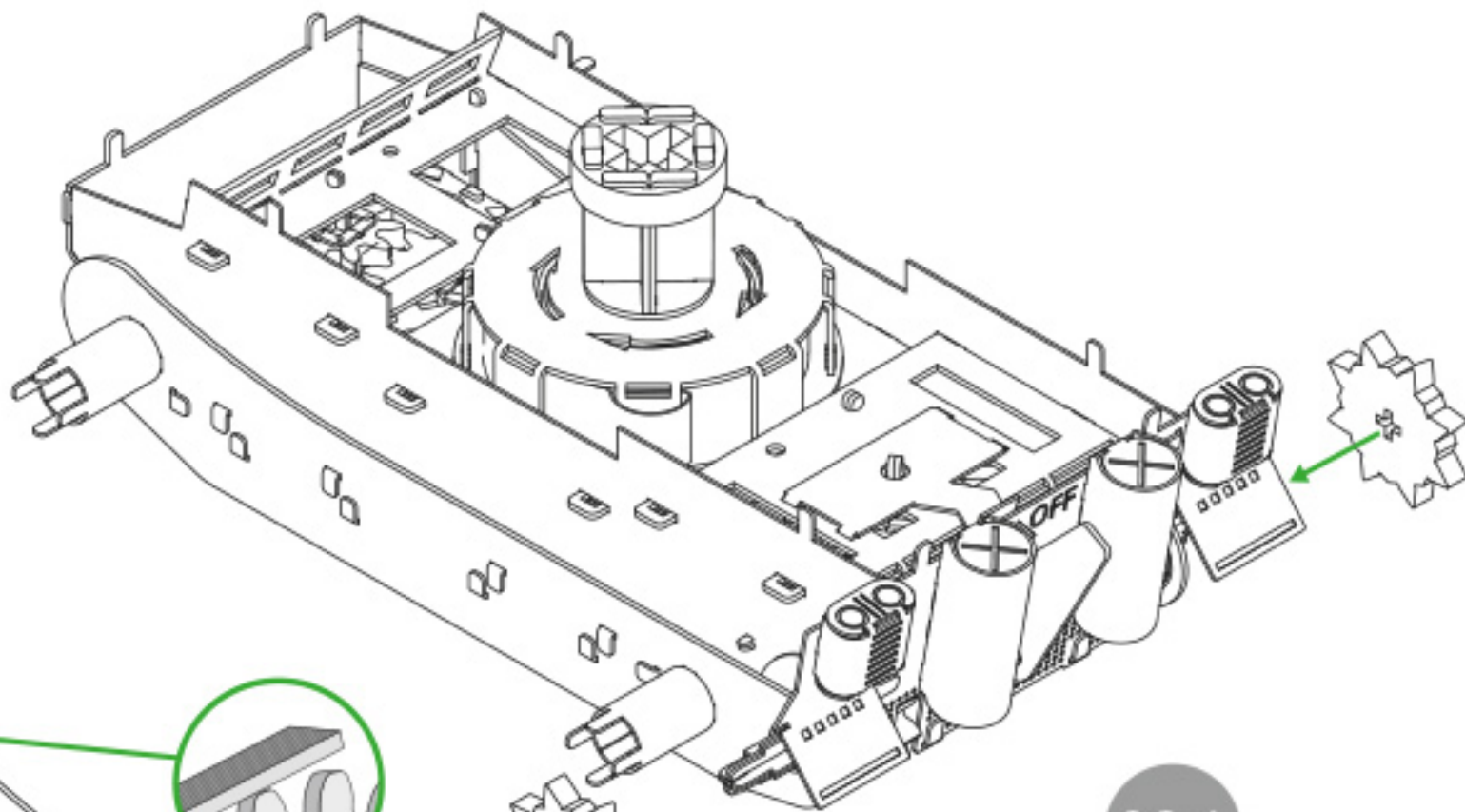


#1





#1

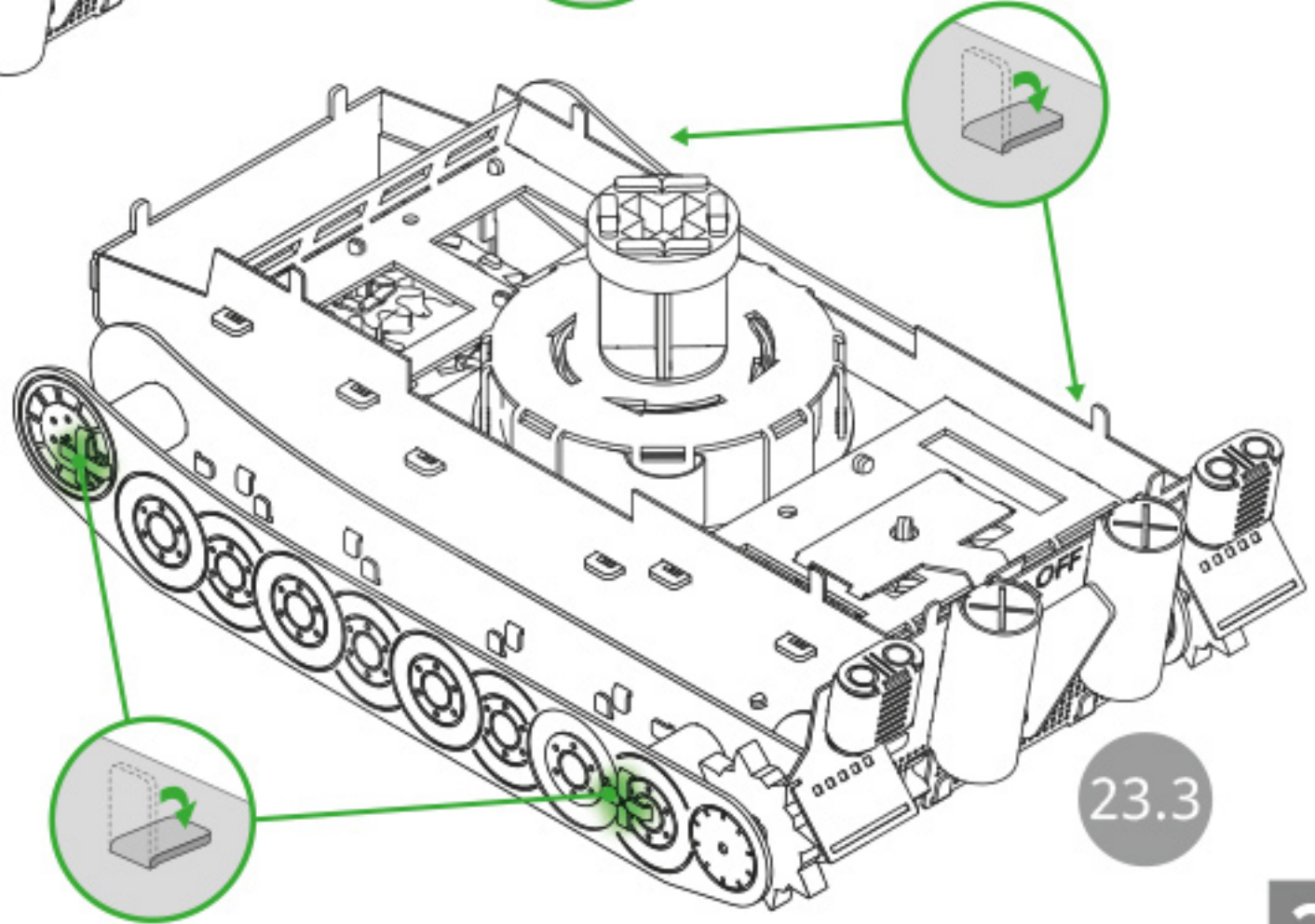
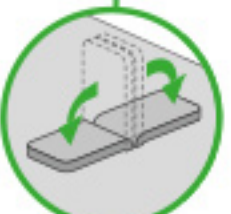
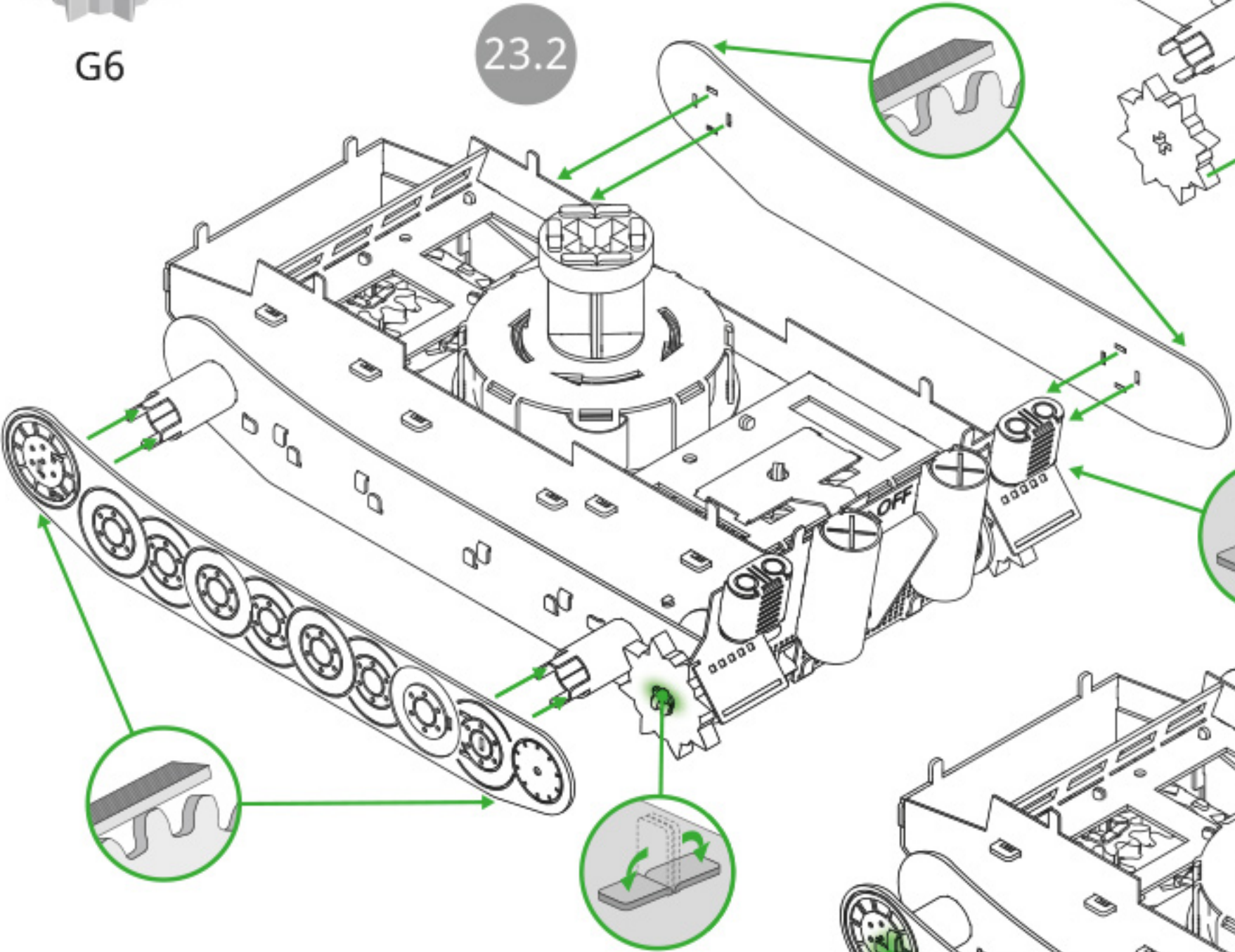


G6

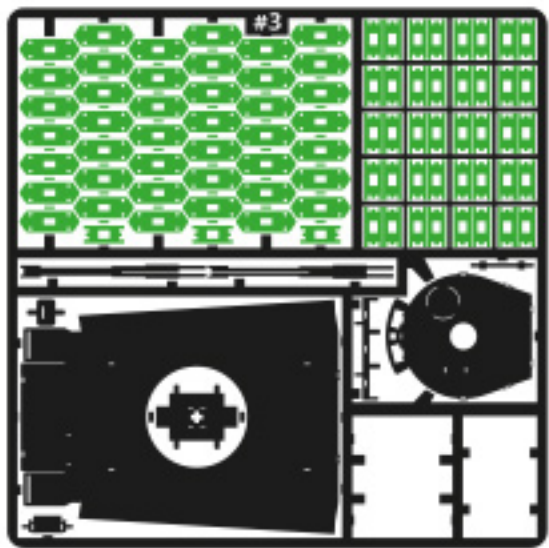
x2

23.2

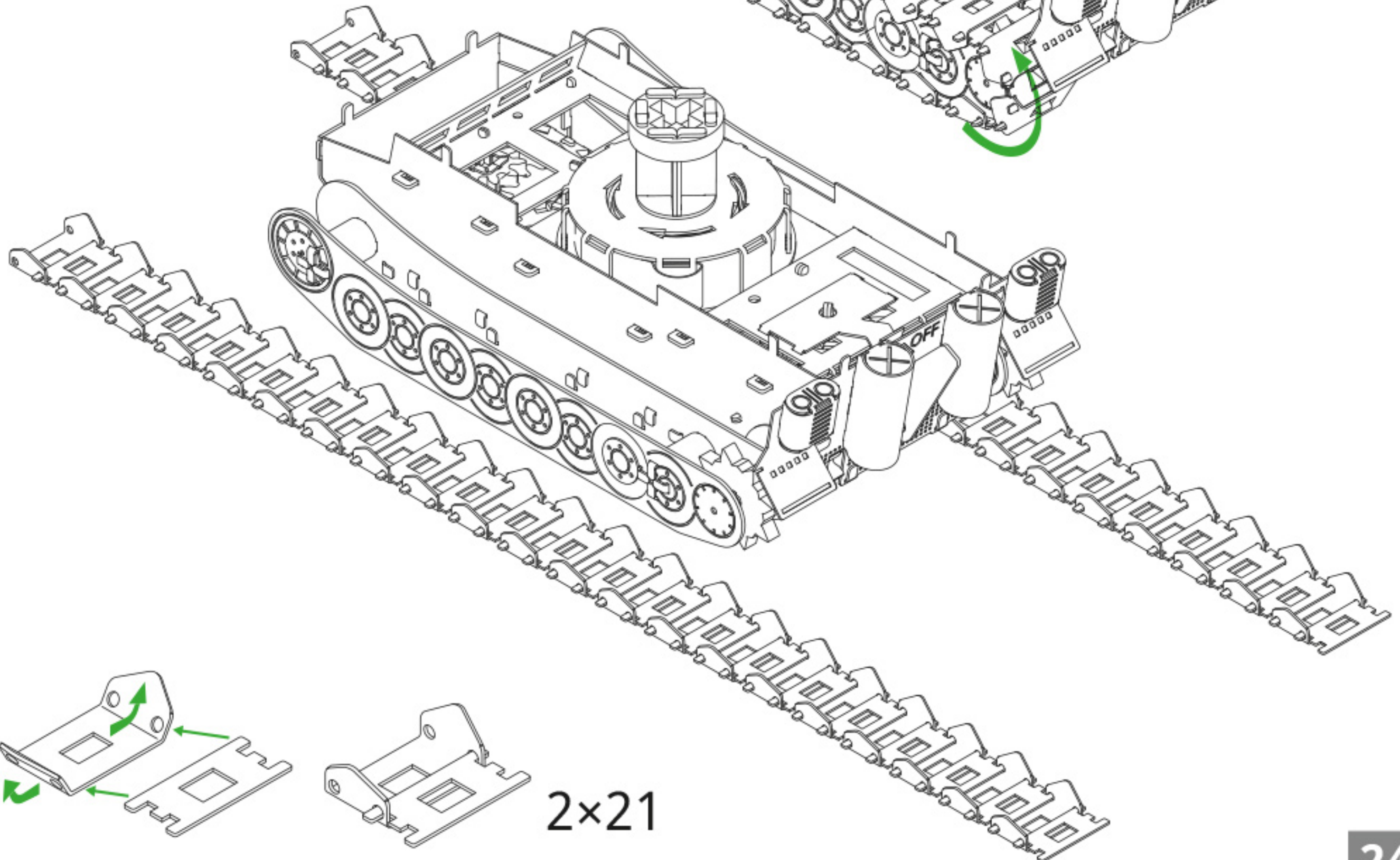
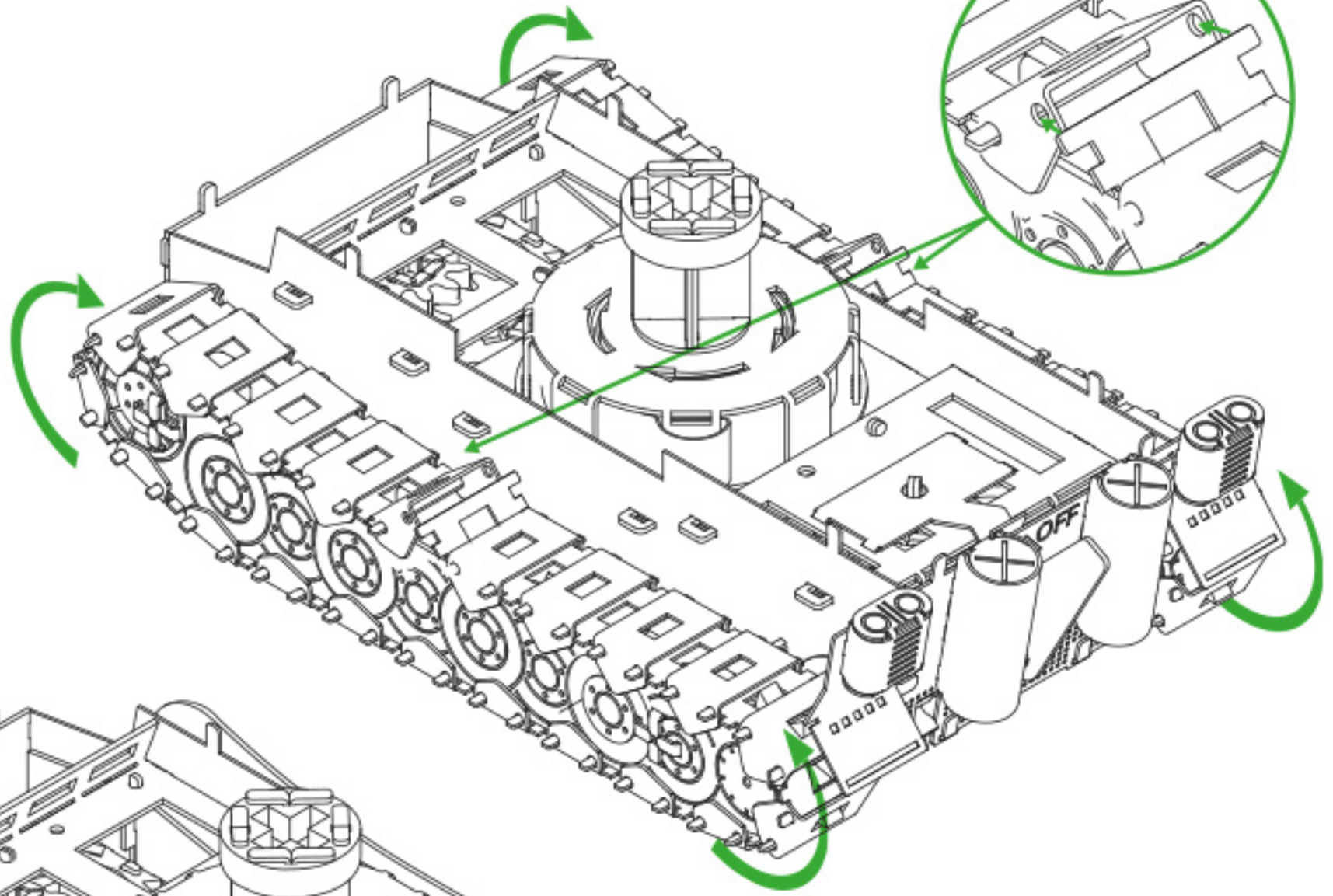
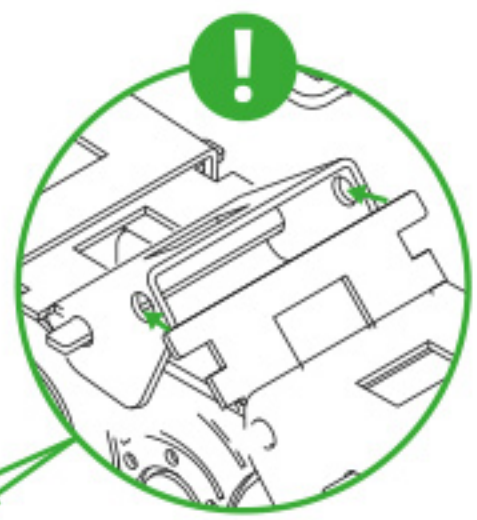
23.1



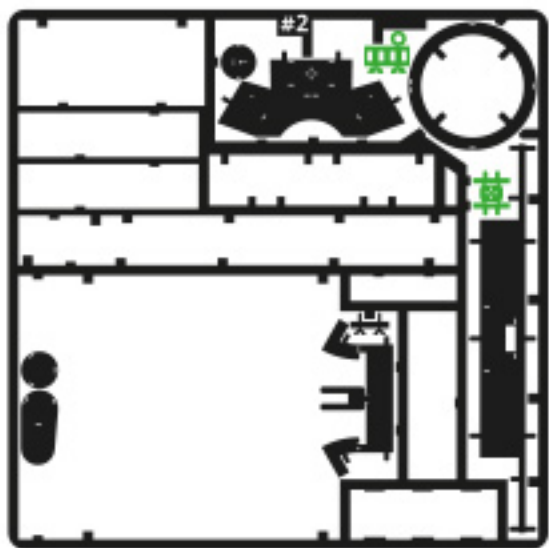
23.3



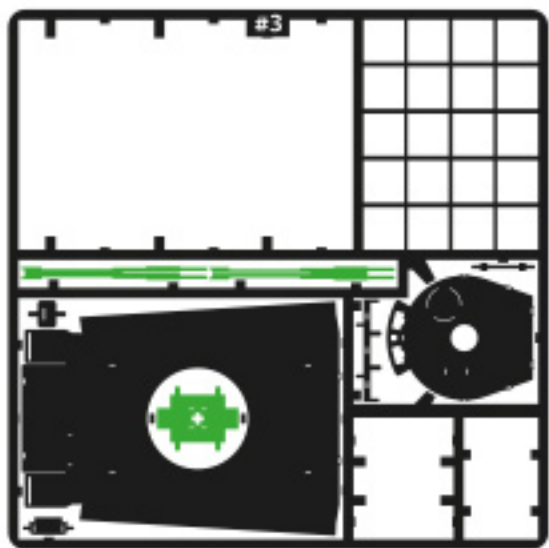
#3



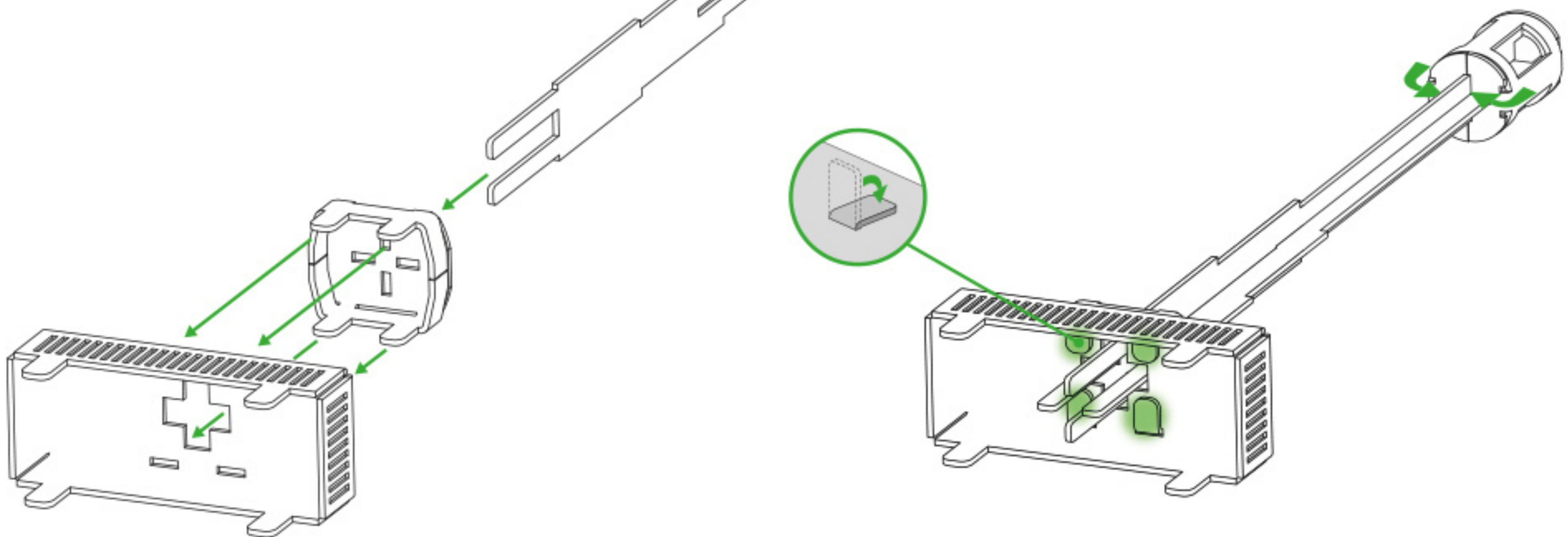
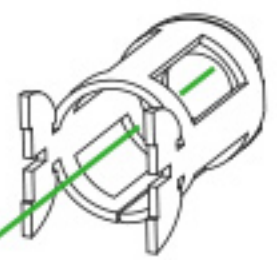
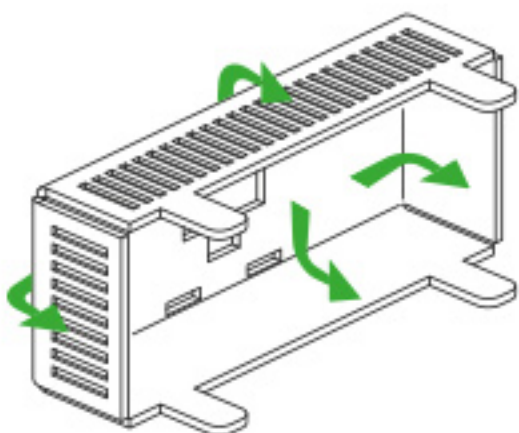
2x21

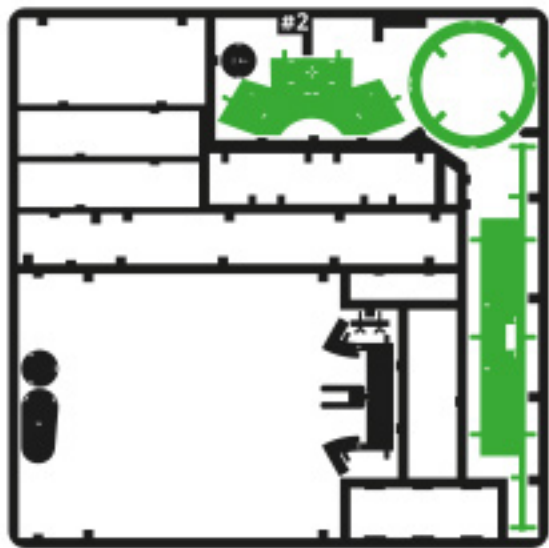


#2

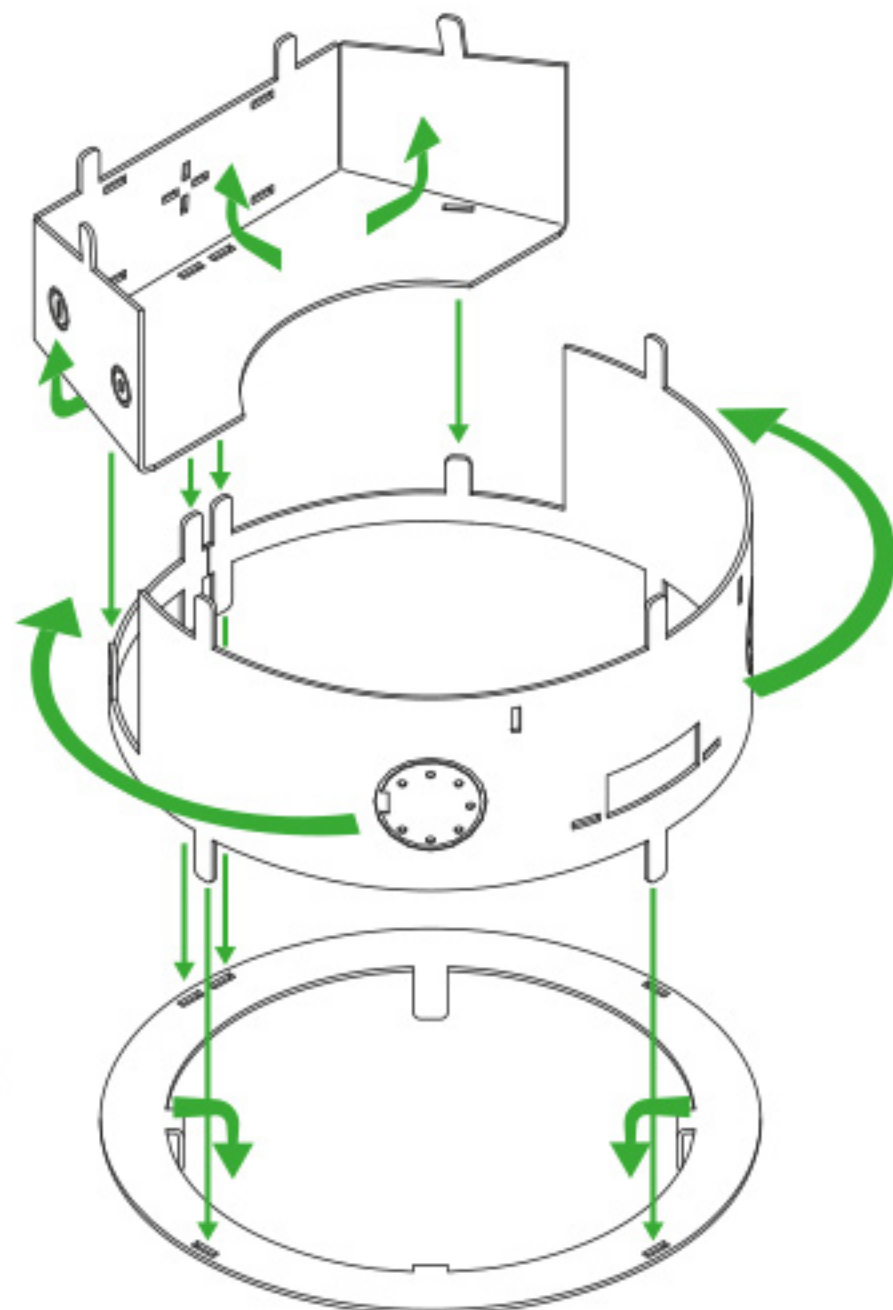


#3

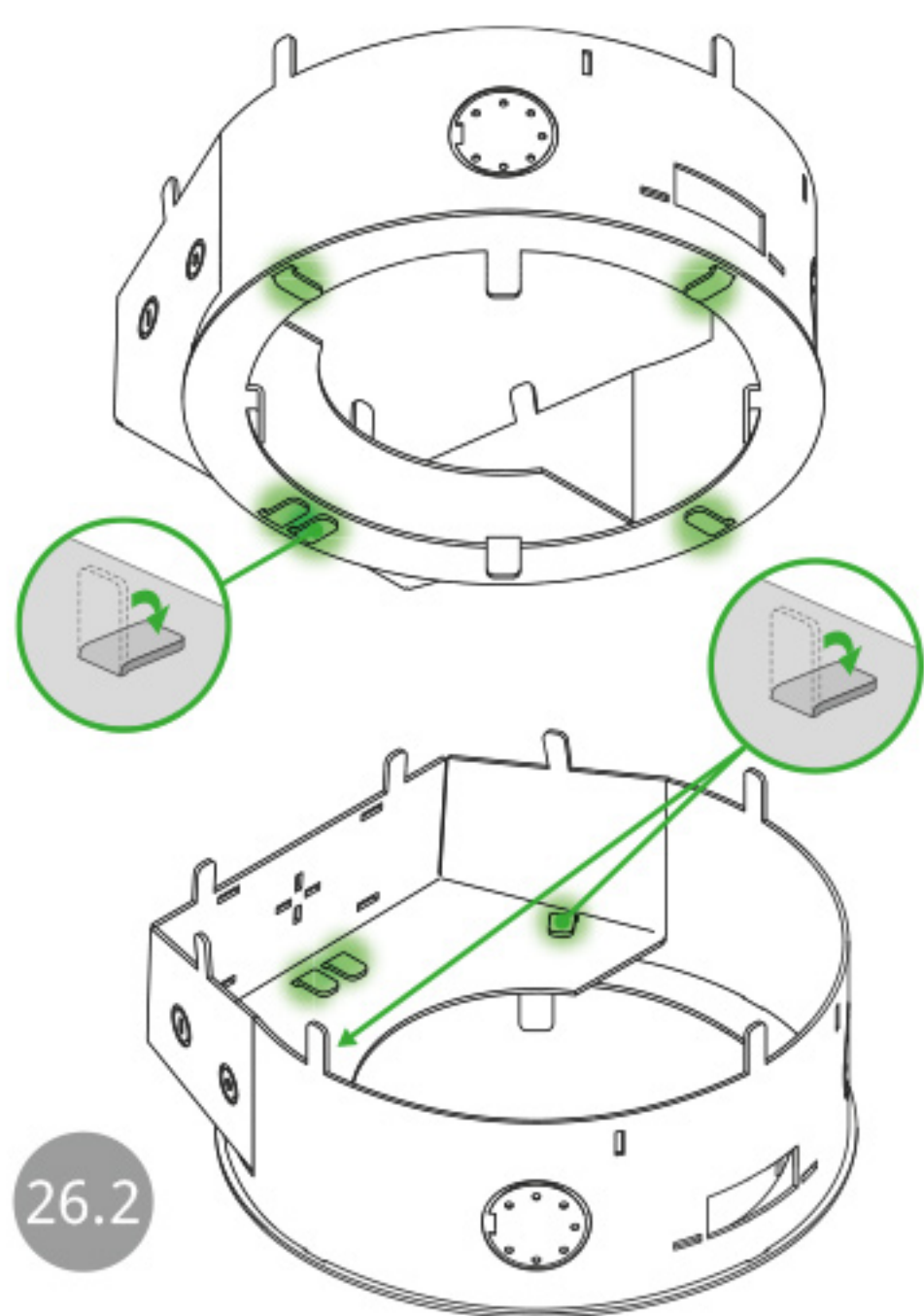




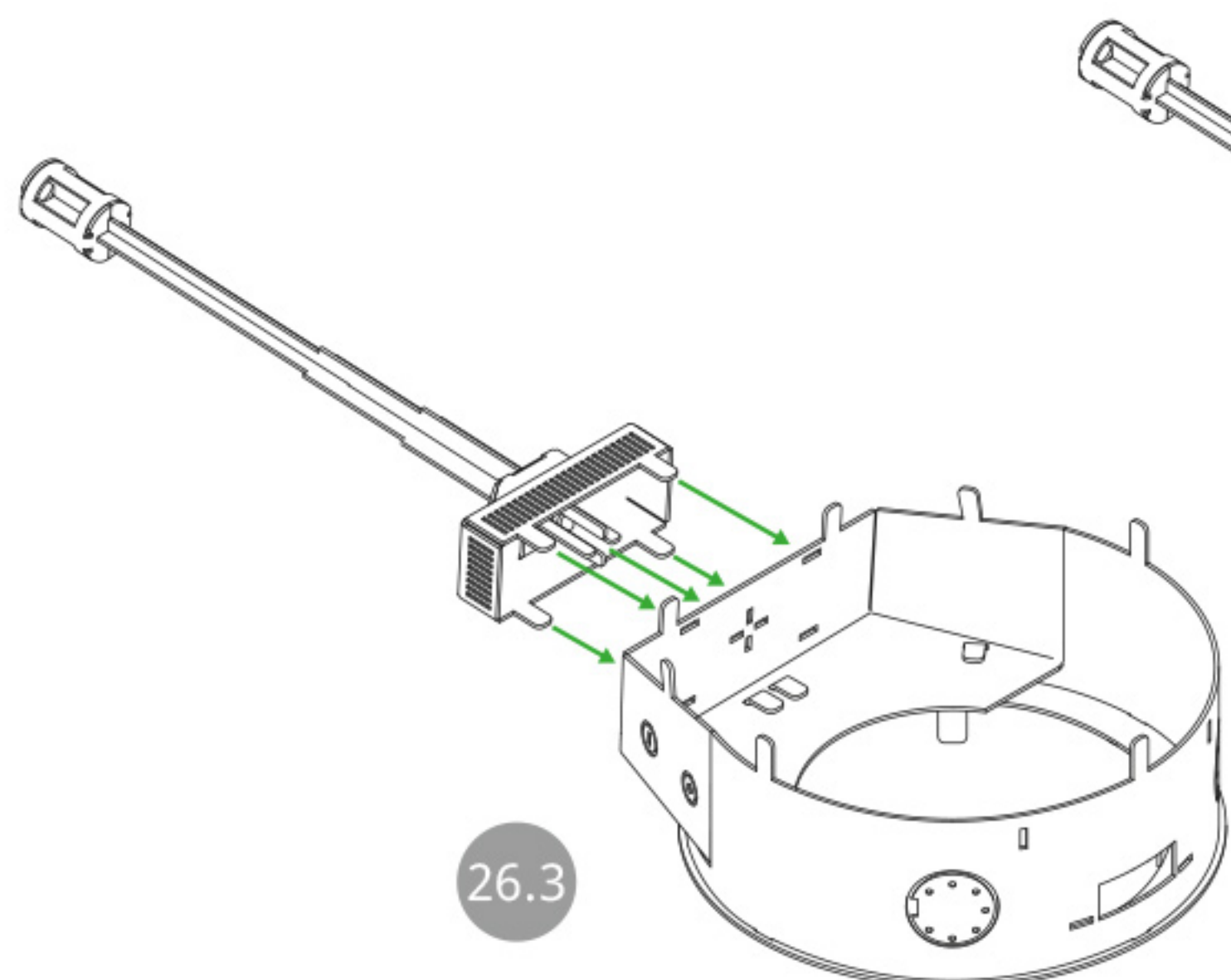
#2



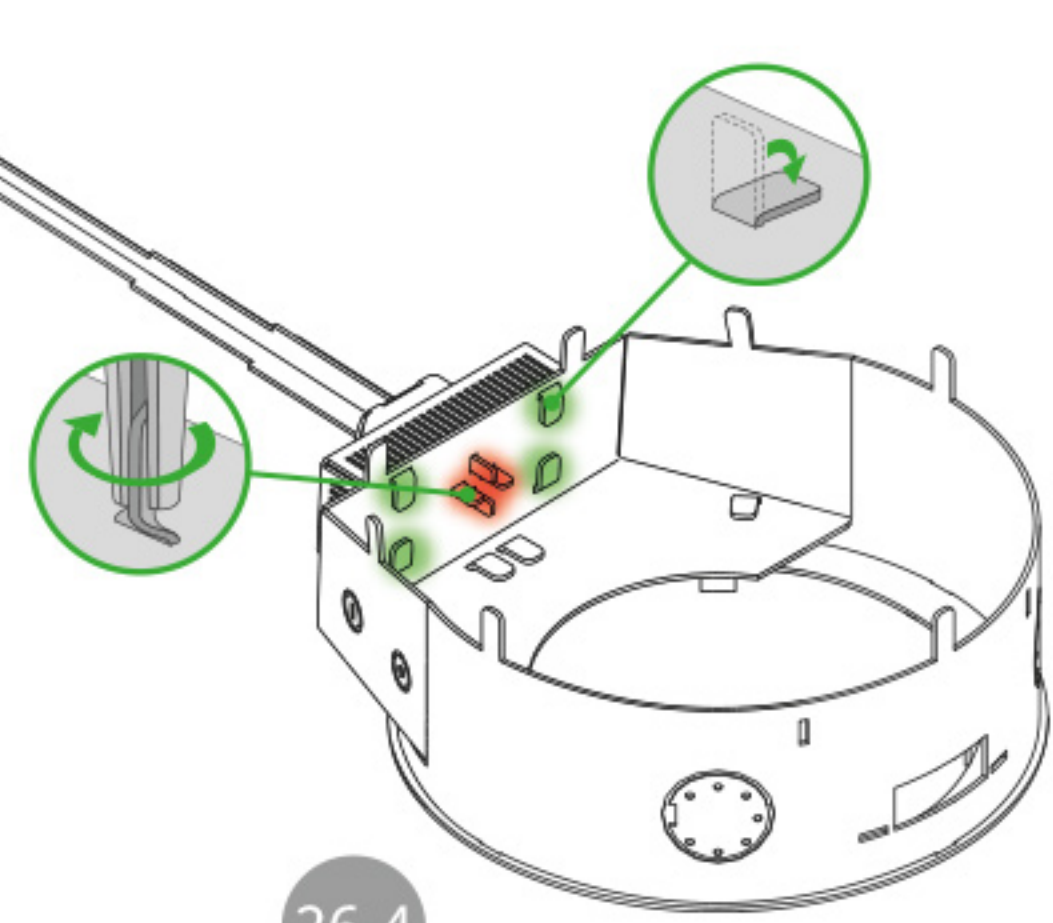
26.1



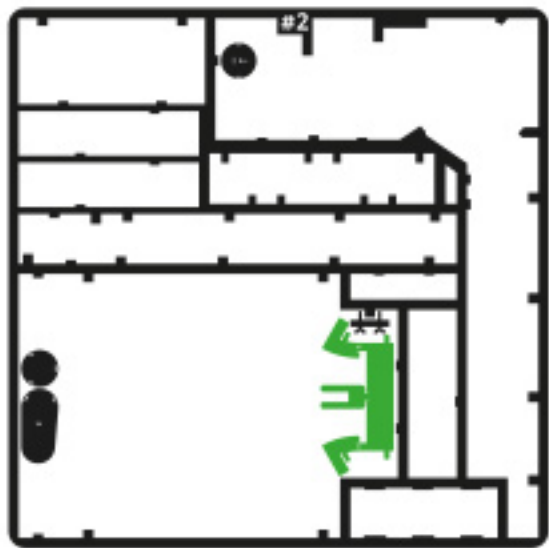
26.2



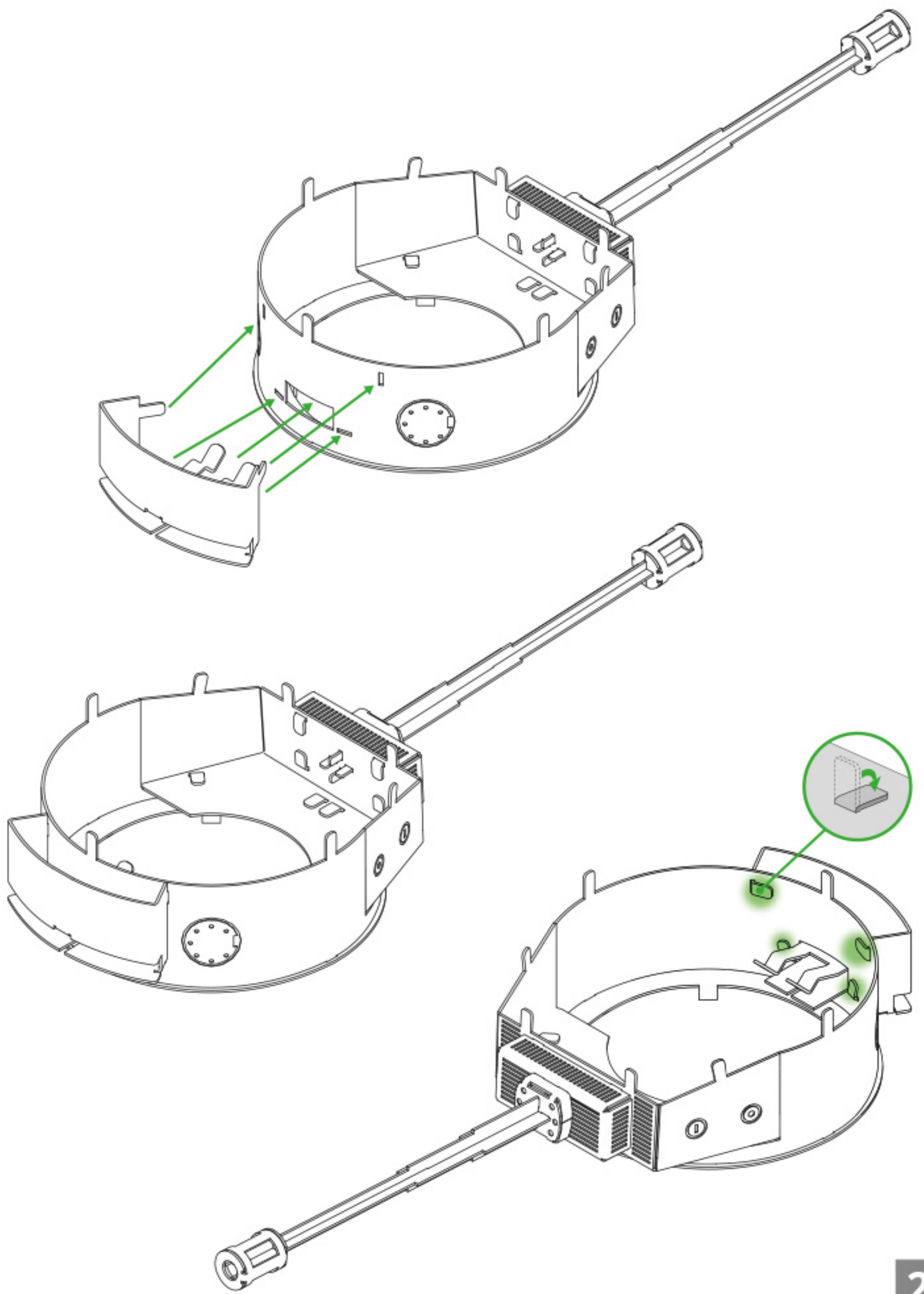
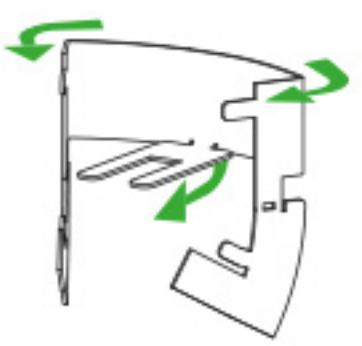
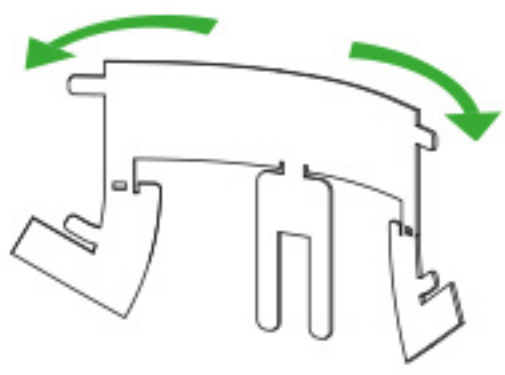
26.3

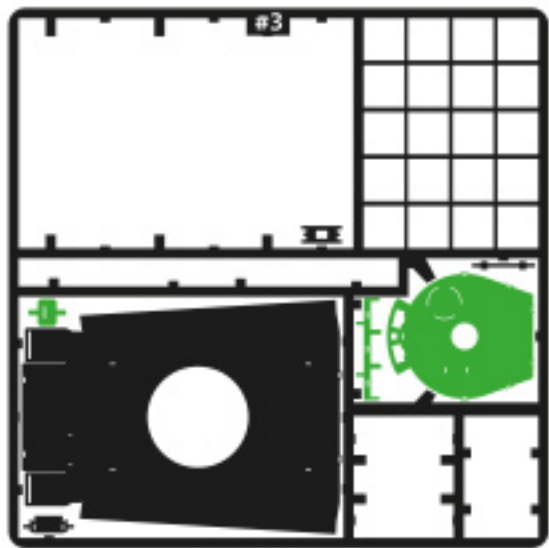


26.4

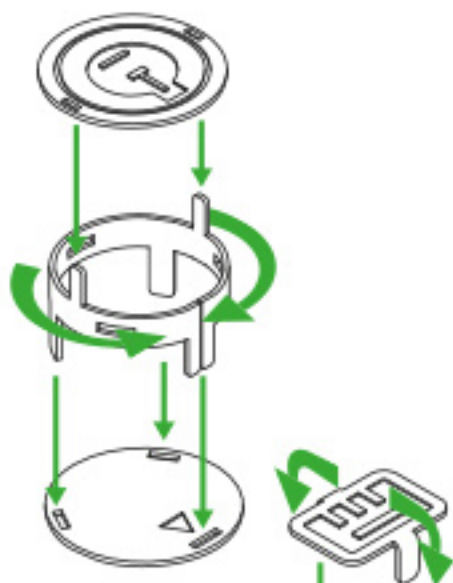


#2

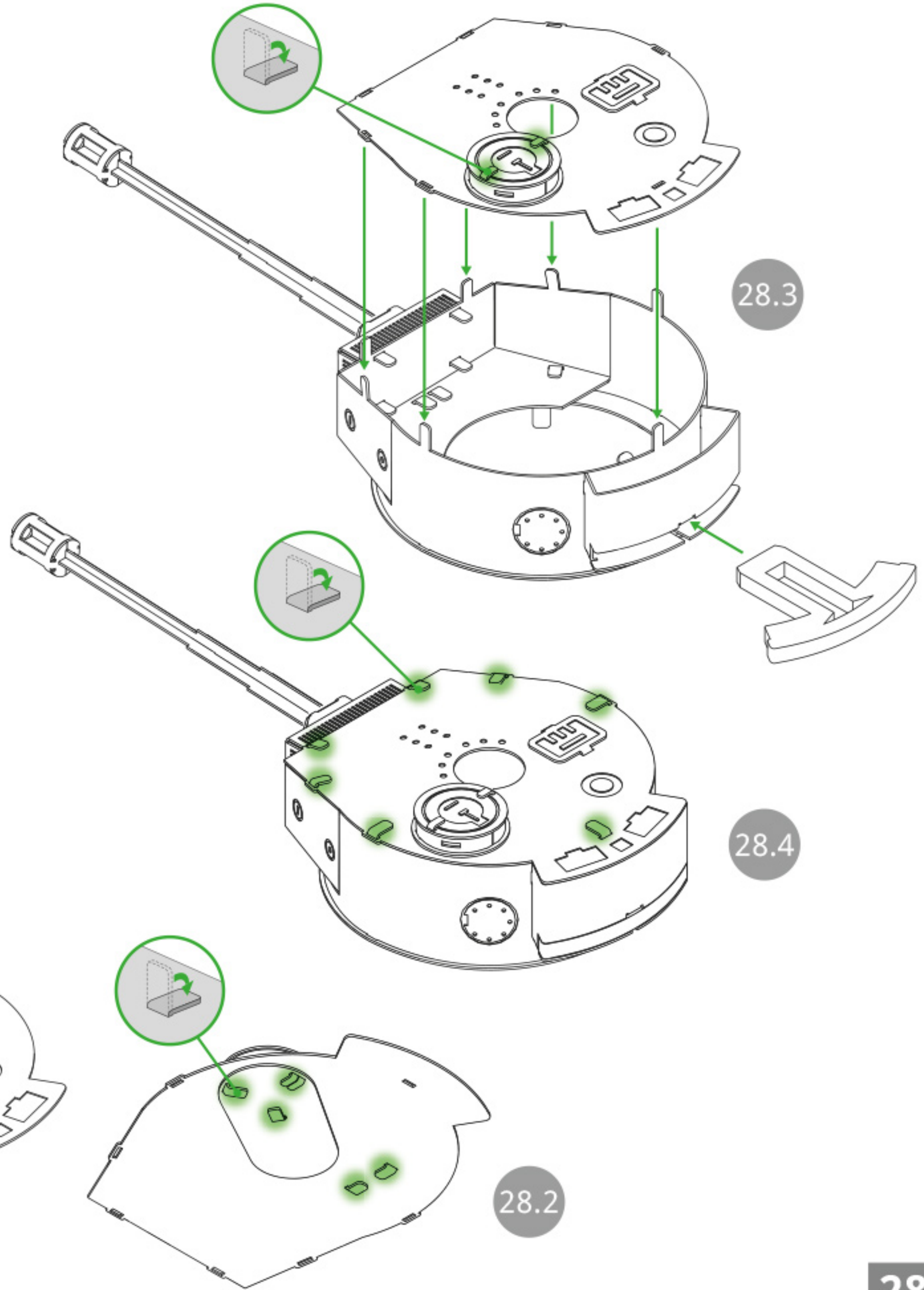
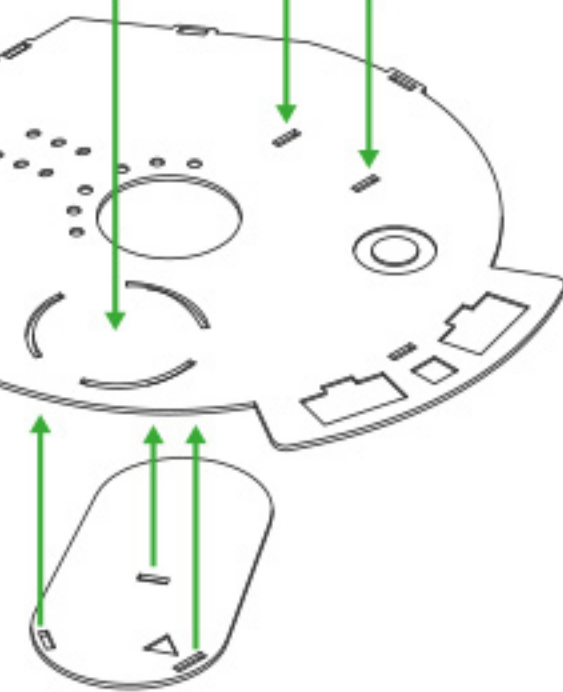




D4

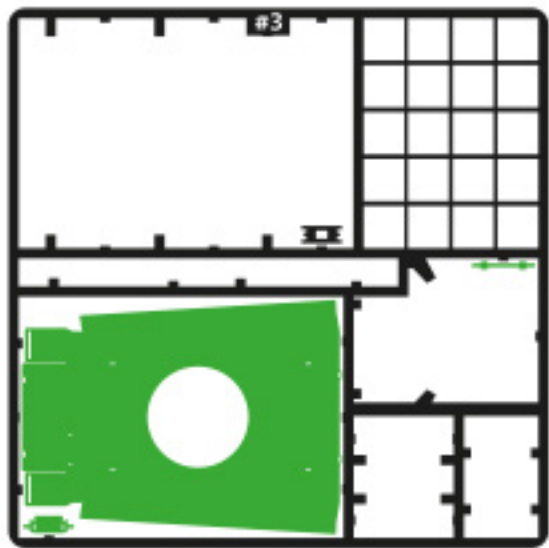


28.1

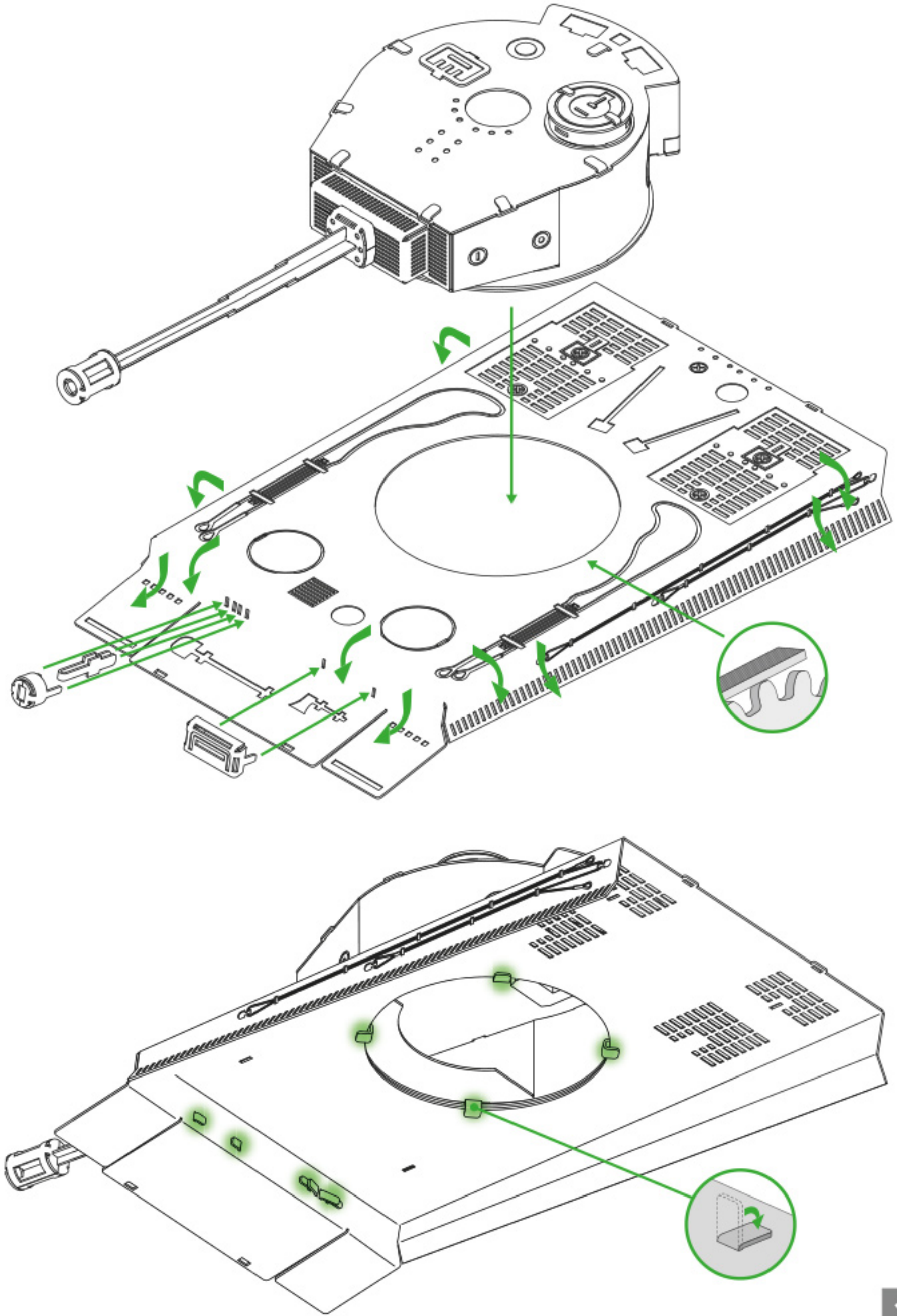
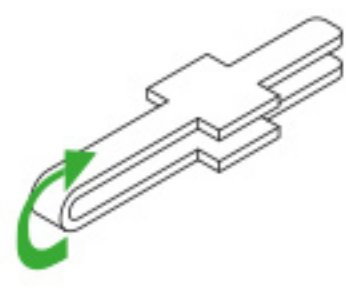
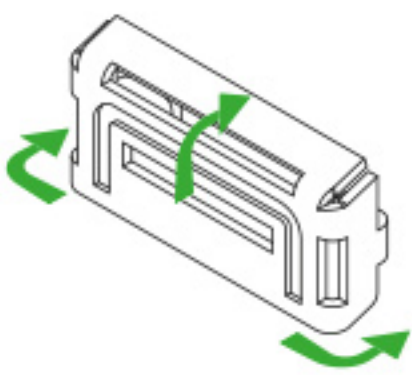


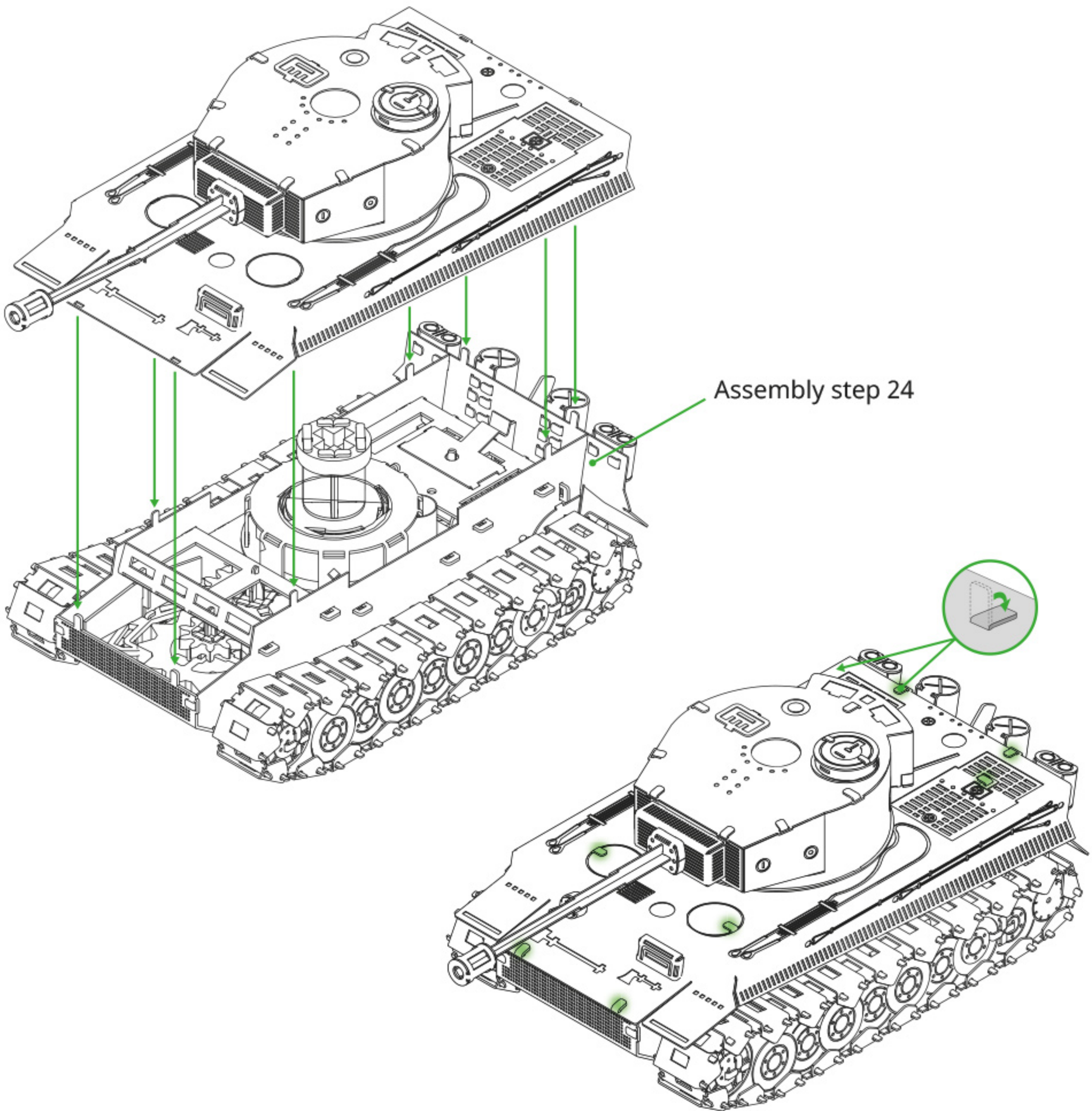


#2



#3

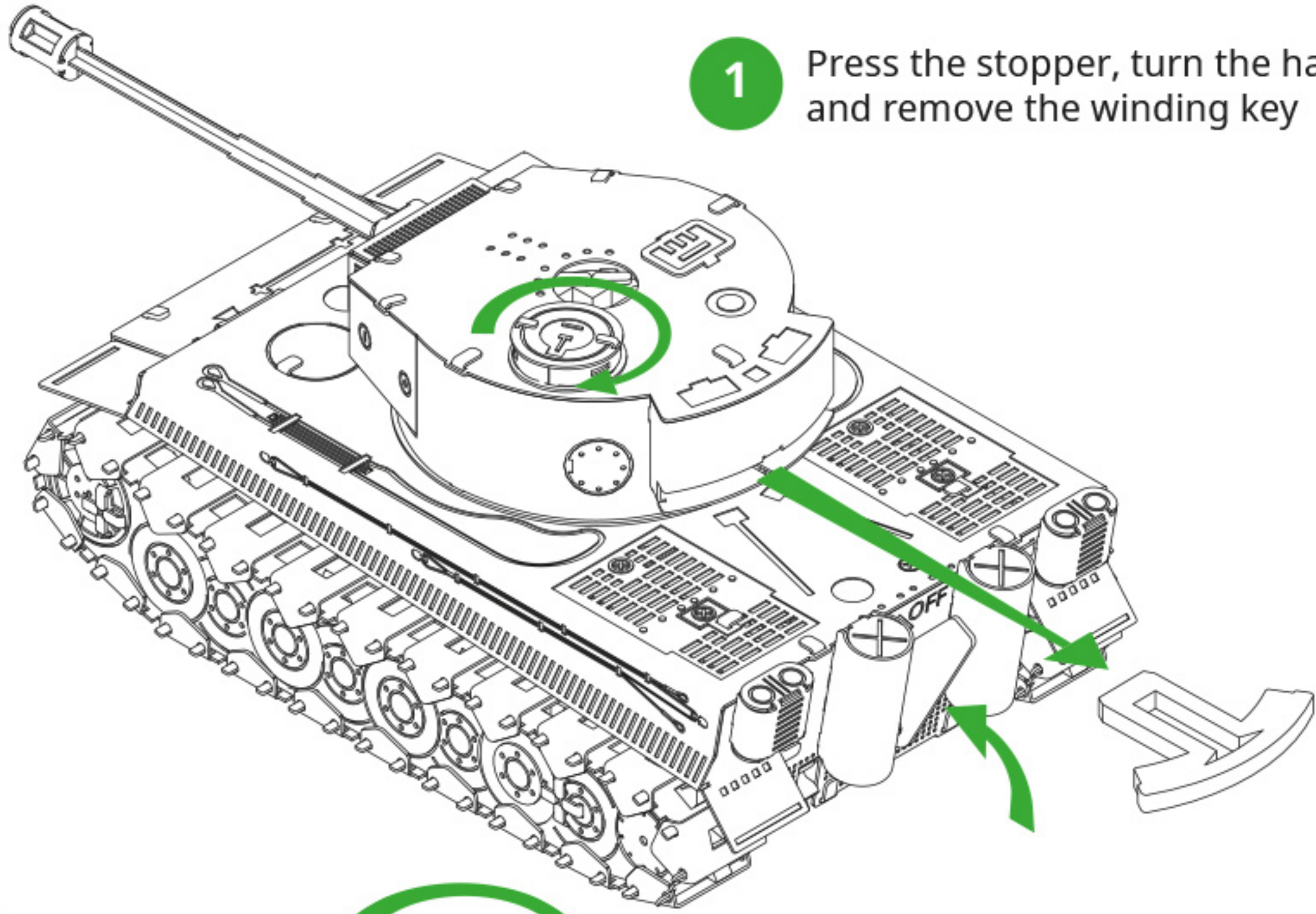






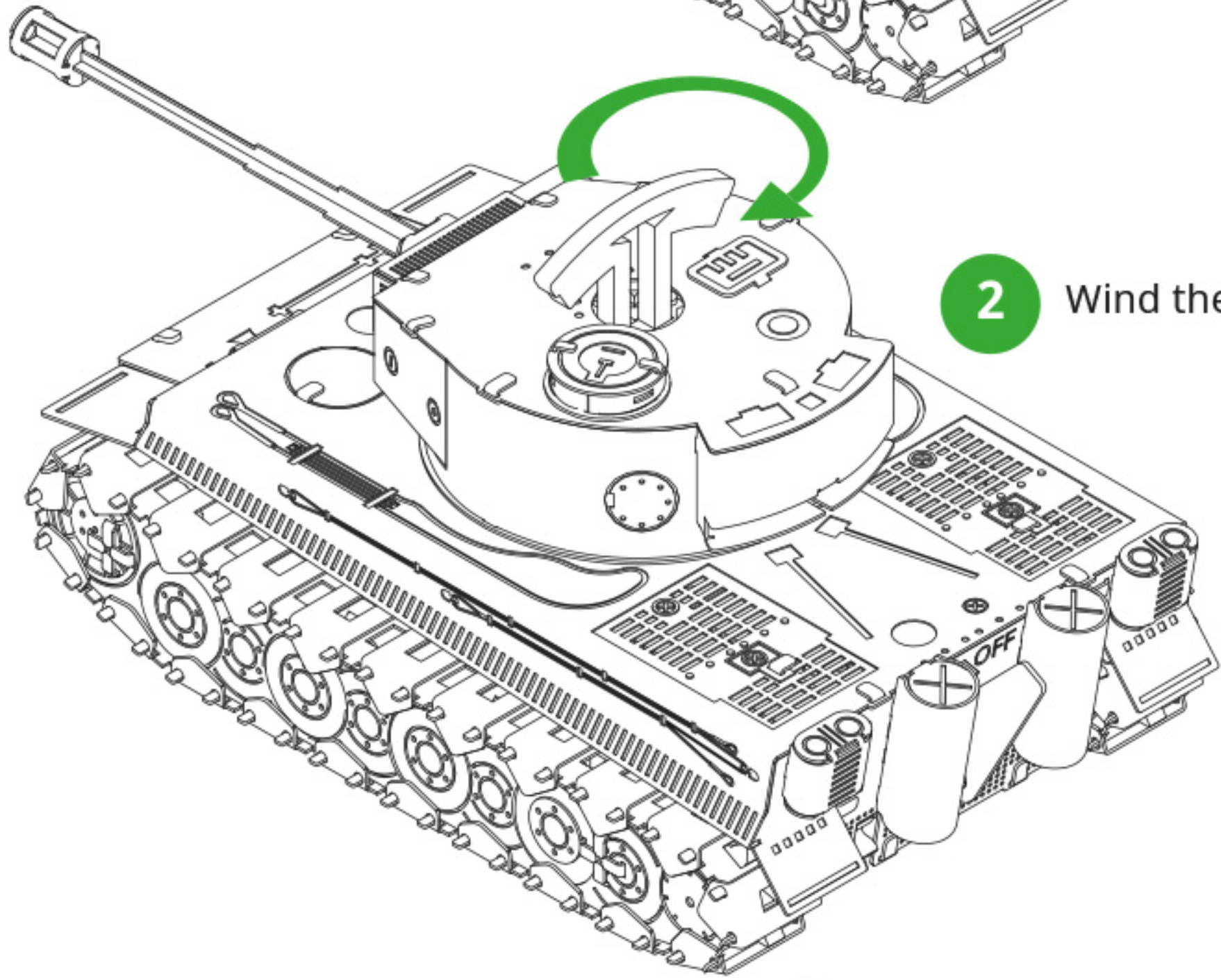
1

Press the stopper, turn the hatch and remove the winding key



2

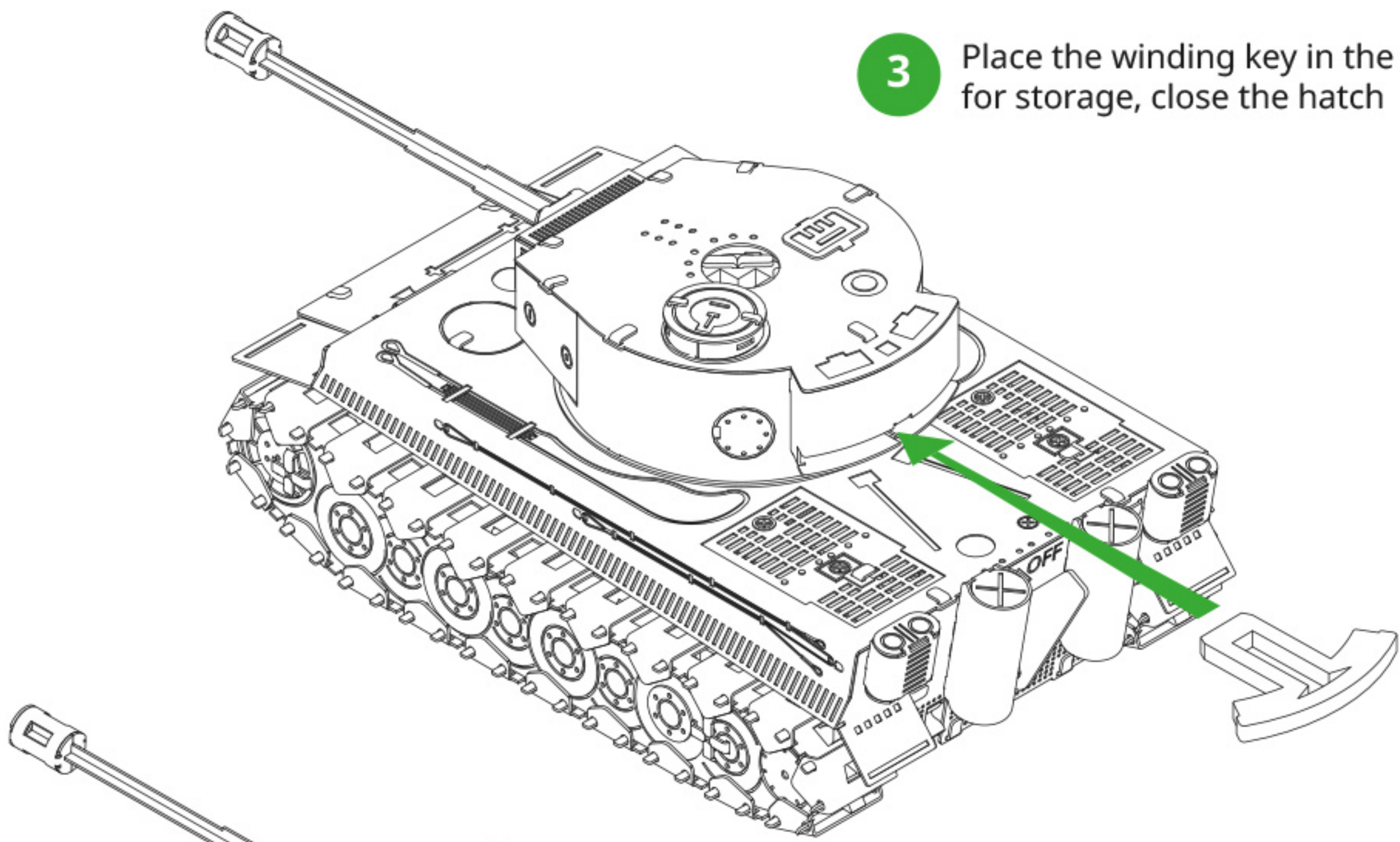
Wind the mechanism clockwise





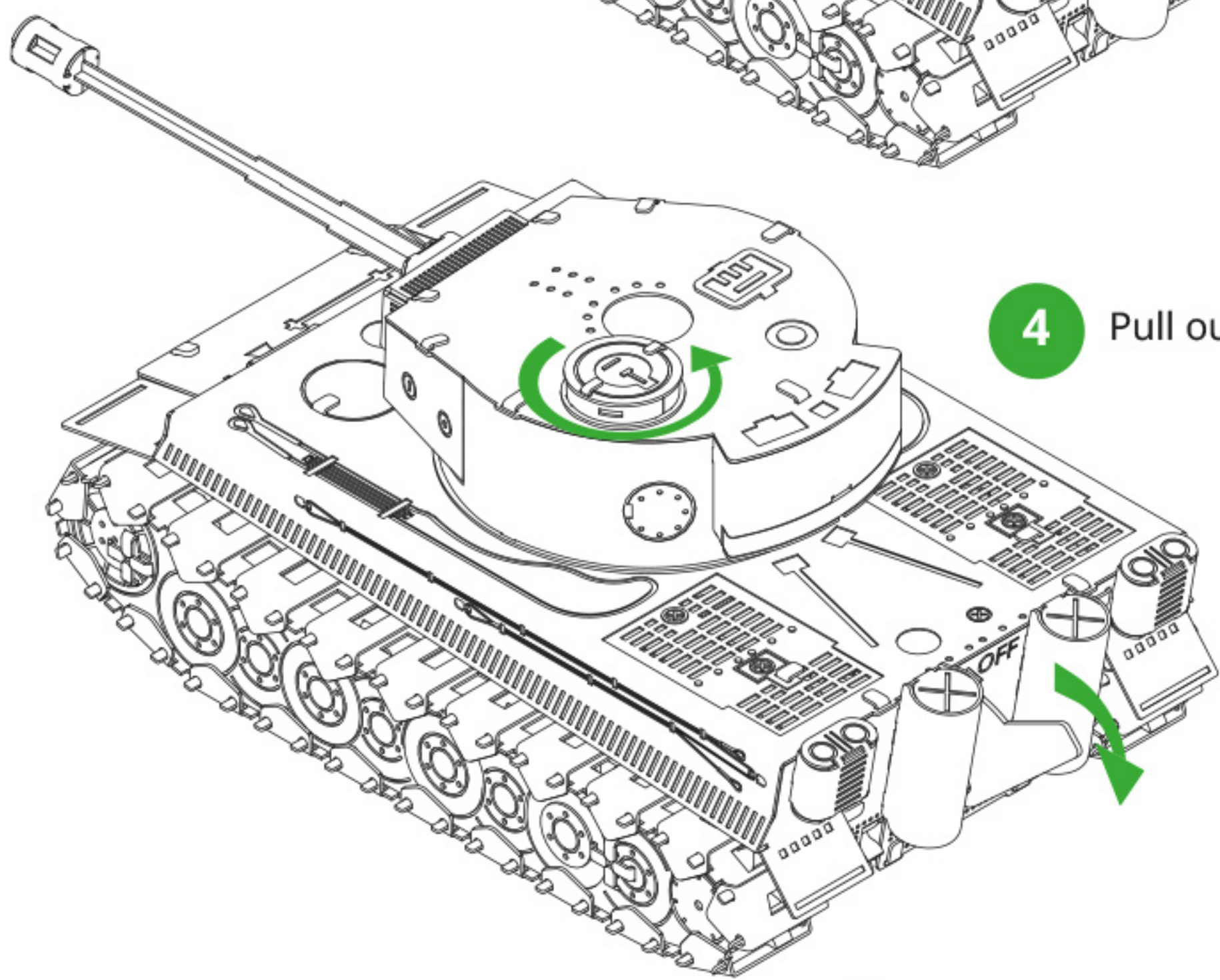
3

Place the winding key in the tower for storage, close the hatch



4

Pull out the stopper





METAL[®]
TIME

www.metal-time.com