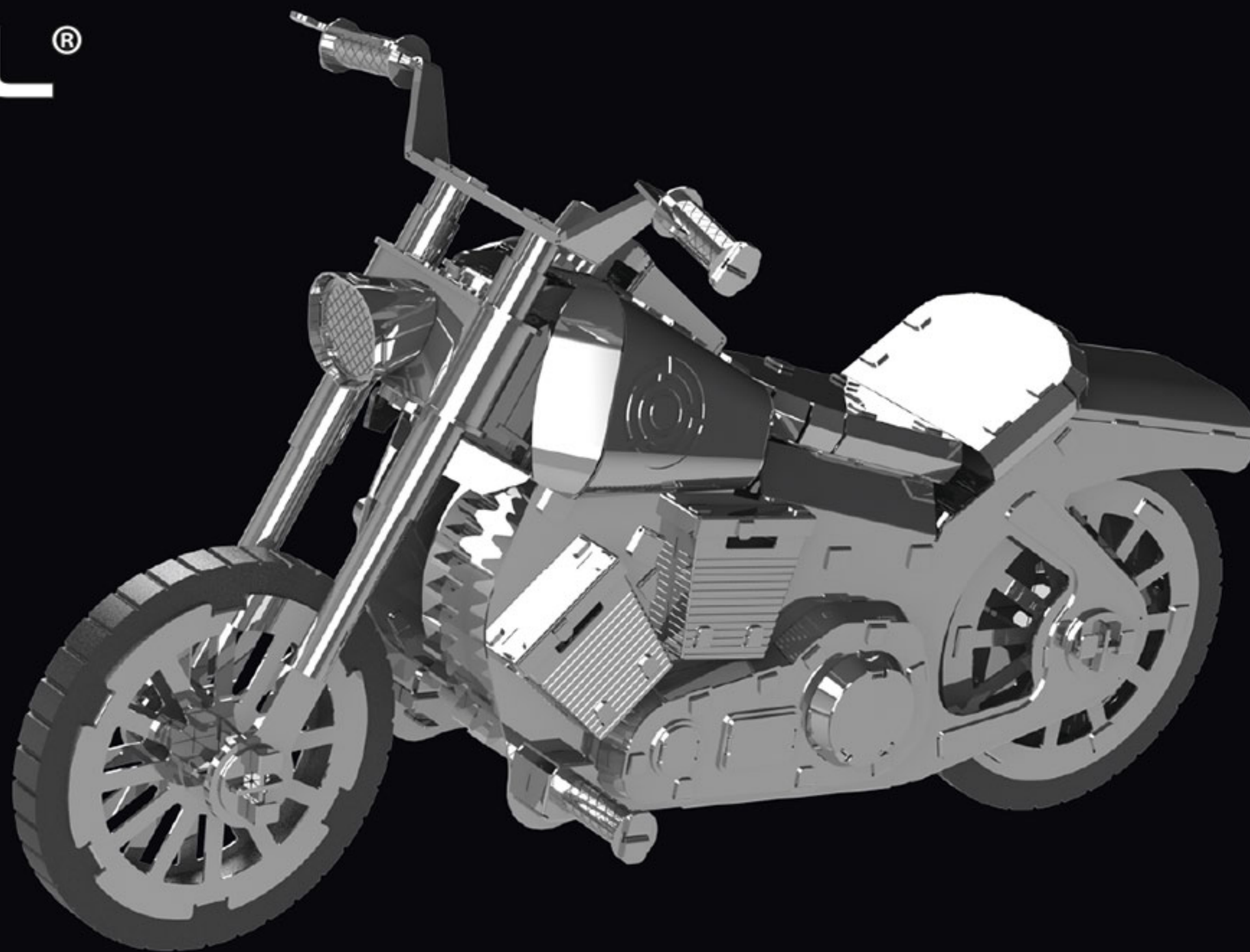




METAL[®]
TIME

ROADWAY FANTASY

3D Metal Mechanical
Model Building Kit



Assembly instructions
Інструкція зі складання
Instrukcja montażu
Istruzioni di montaggio
Montageanleitung
Instructions de montage
Instrucciones de montaje
Instruções de montagem
Інструкція по сборке
装配说明书
조립 설명서
組立説明書

تعليمات التجميع
הוראות הרכבה

Collect the Best

155 PIECES

15 hours

Stainless Steel / Rubber wheels
Inertial mechanism

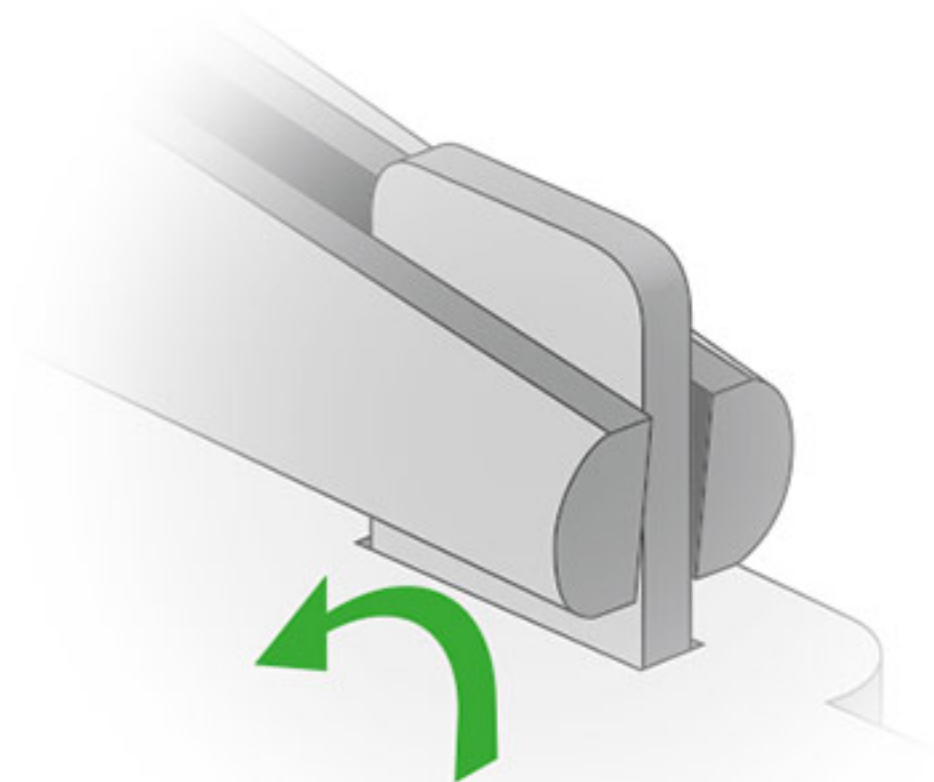
AGES
14+

WARNING! PLEASE READ THESE INSTRUCTIONS CAREFULLY BEFORE ASSEMBLY AND USE

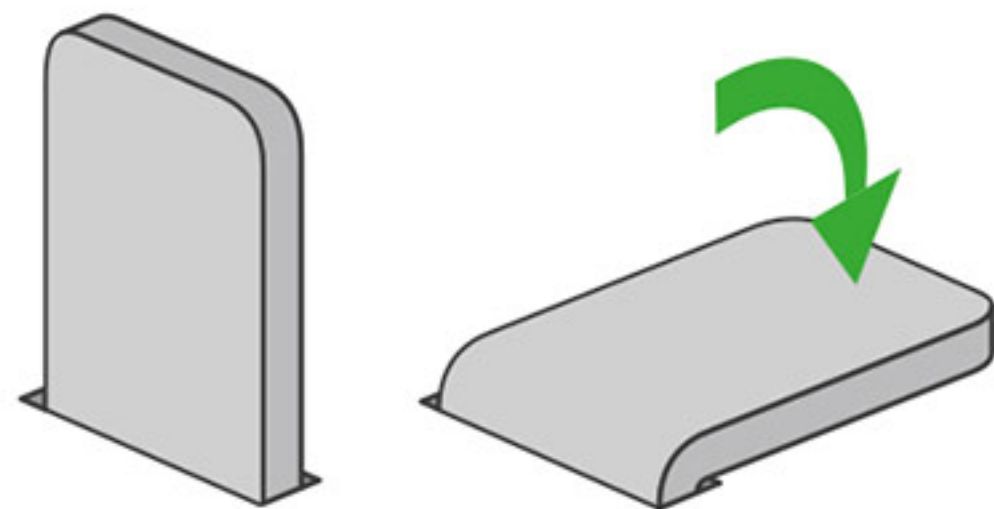
When assembling the model, don't rush, avoid pointing details at yours or anyone else's face. If one of the parts has a sharp edge, please file it down. Use pliers and additional tools to assemble the model. Each kit contains a cloth for wiping and polishing the model once it's assembled. If needed, you may choose to apply a small amount of siliconbased grease to the spring and the mechanism; however, this is not a requirement for the mechanism to function properly. The mechanism will perform at its best in the absence of excessive friction or excessive play of its parts

WARNING! Product contains small parts and sharp parts. Not suitable for children under 3 years of age

STANDARD FIXING OF FASTENERS



Use pliers to bend the fastener

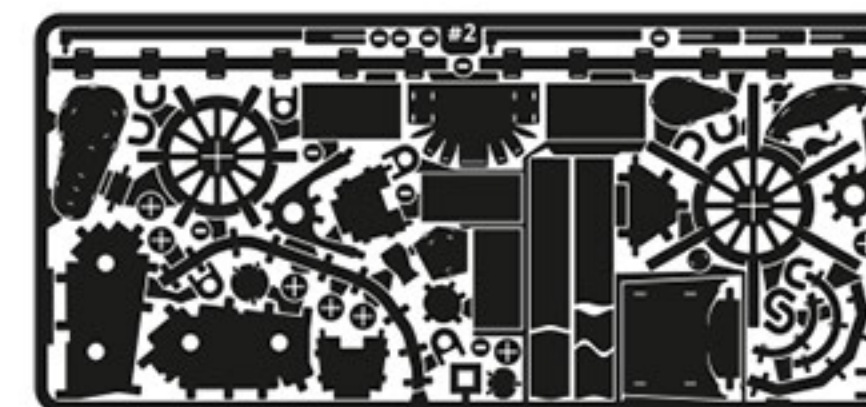


If there are no additional designations, use the standard fixing method

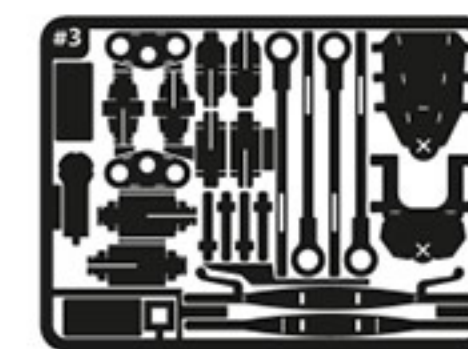
MODEL PARTS AND ASSEMBLY TOOLS



#1



#2



#3



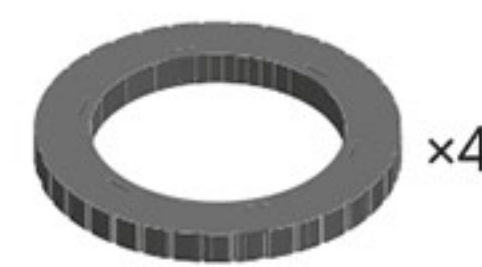
G1



G2



G3



D1

x4



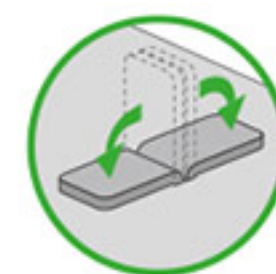
D2

x4

SYMBOLS



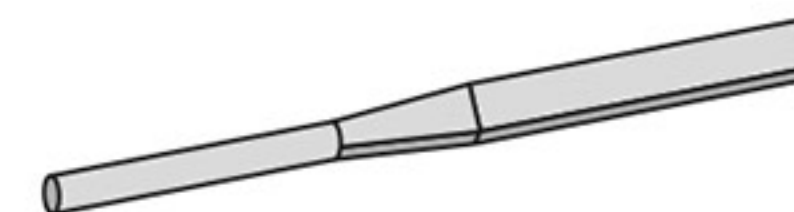
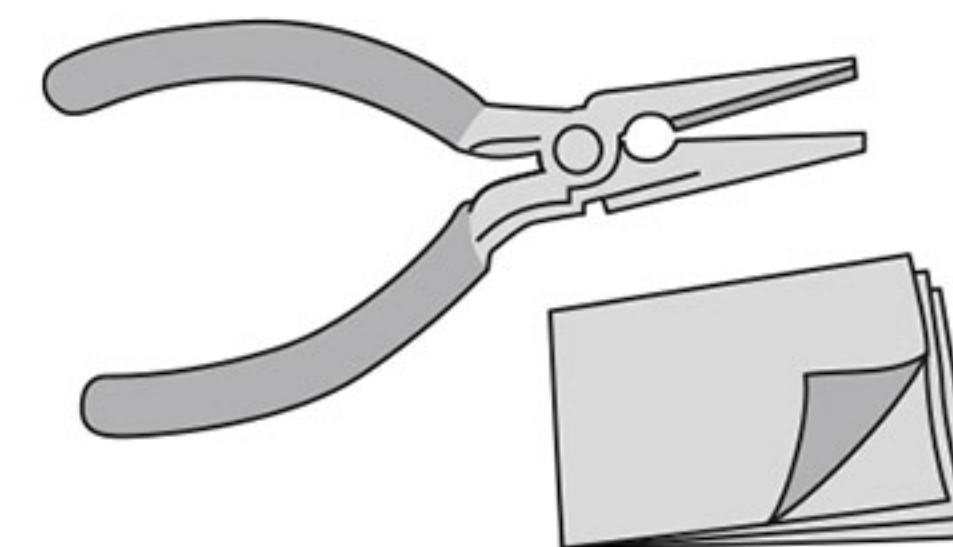
Bend the eyelet 90°



Bend the ears 90°



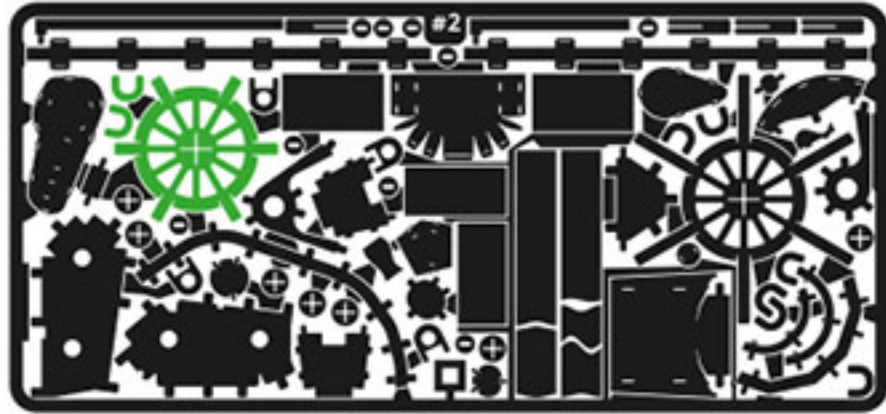
Twist the eyelet 45°



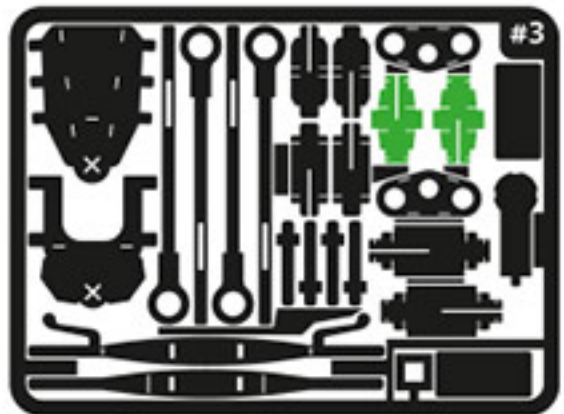
Tools



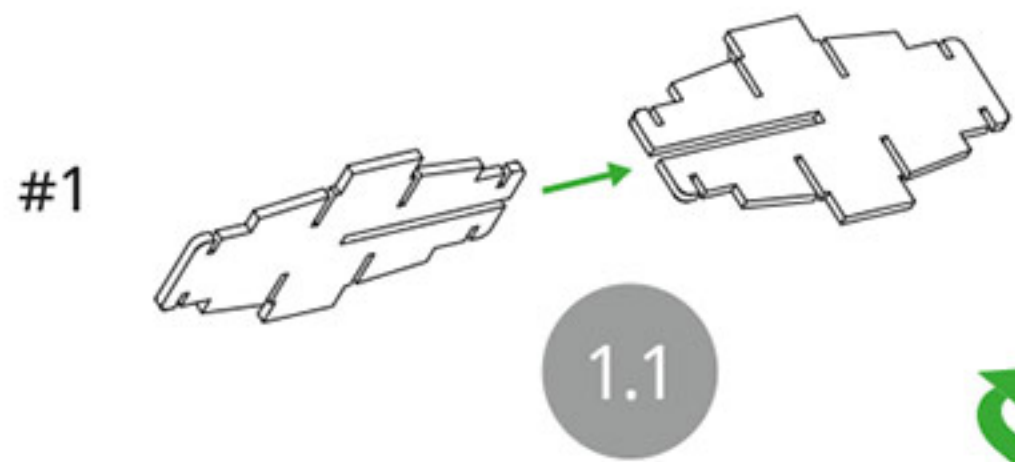
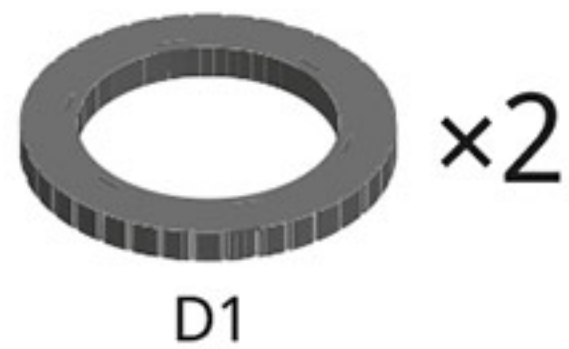
#1



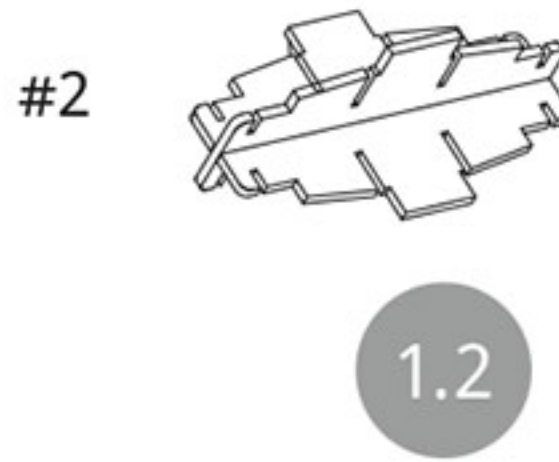
#2



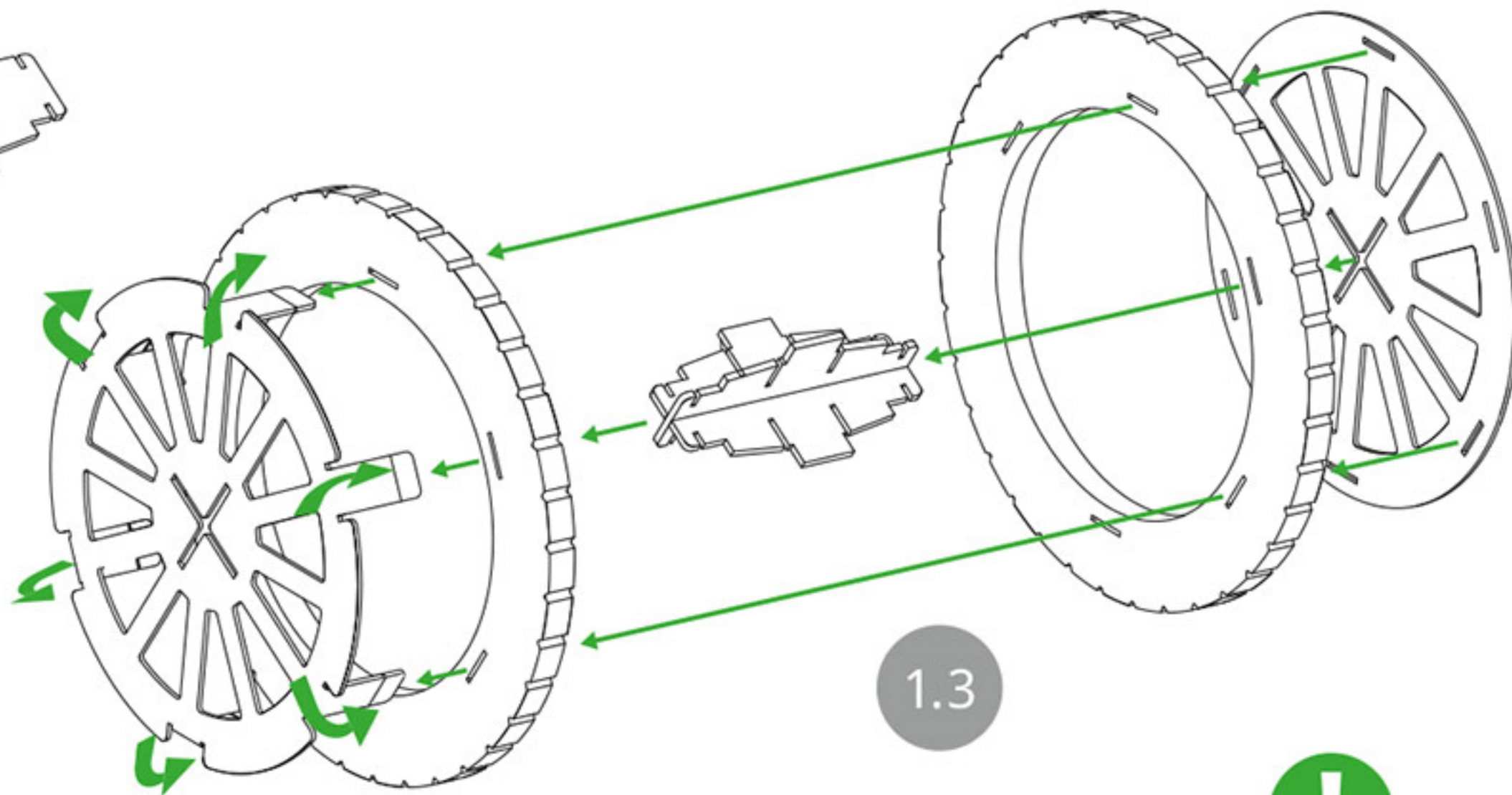
#3



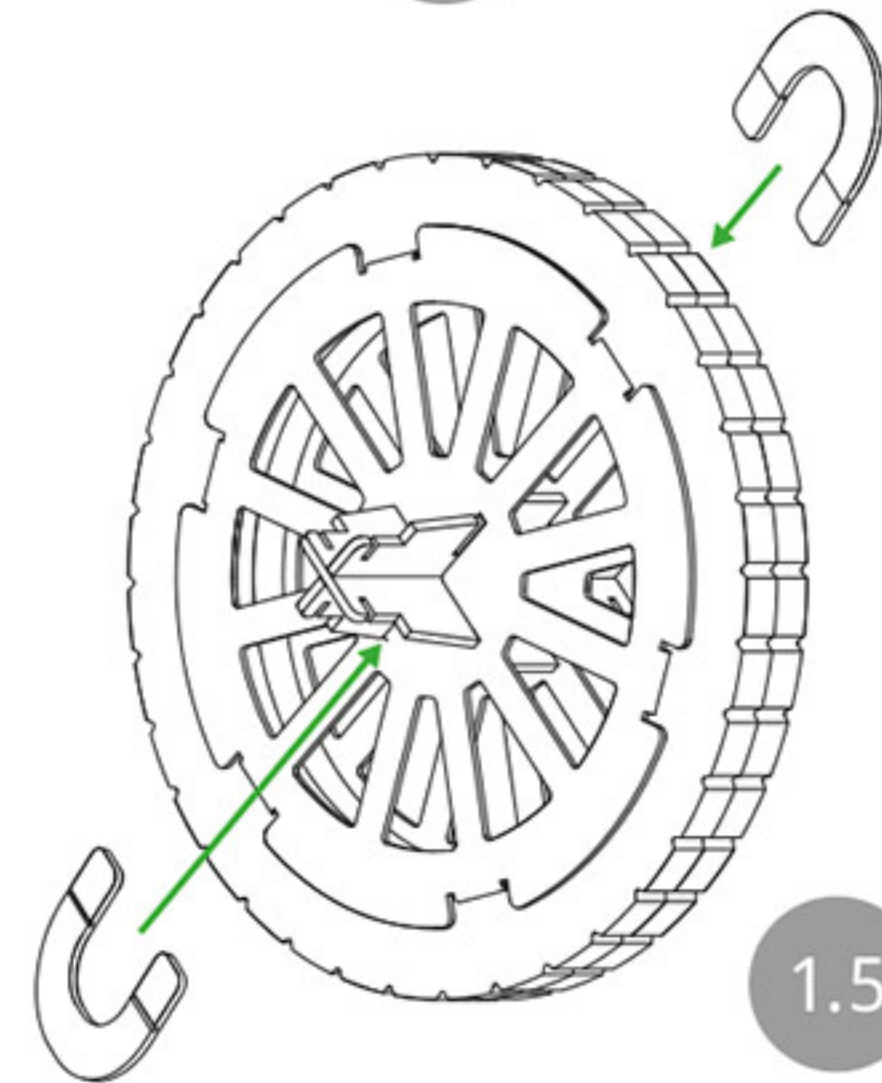
1.1



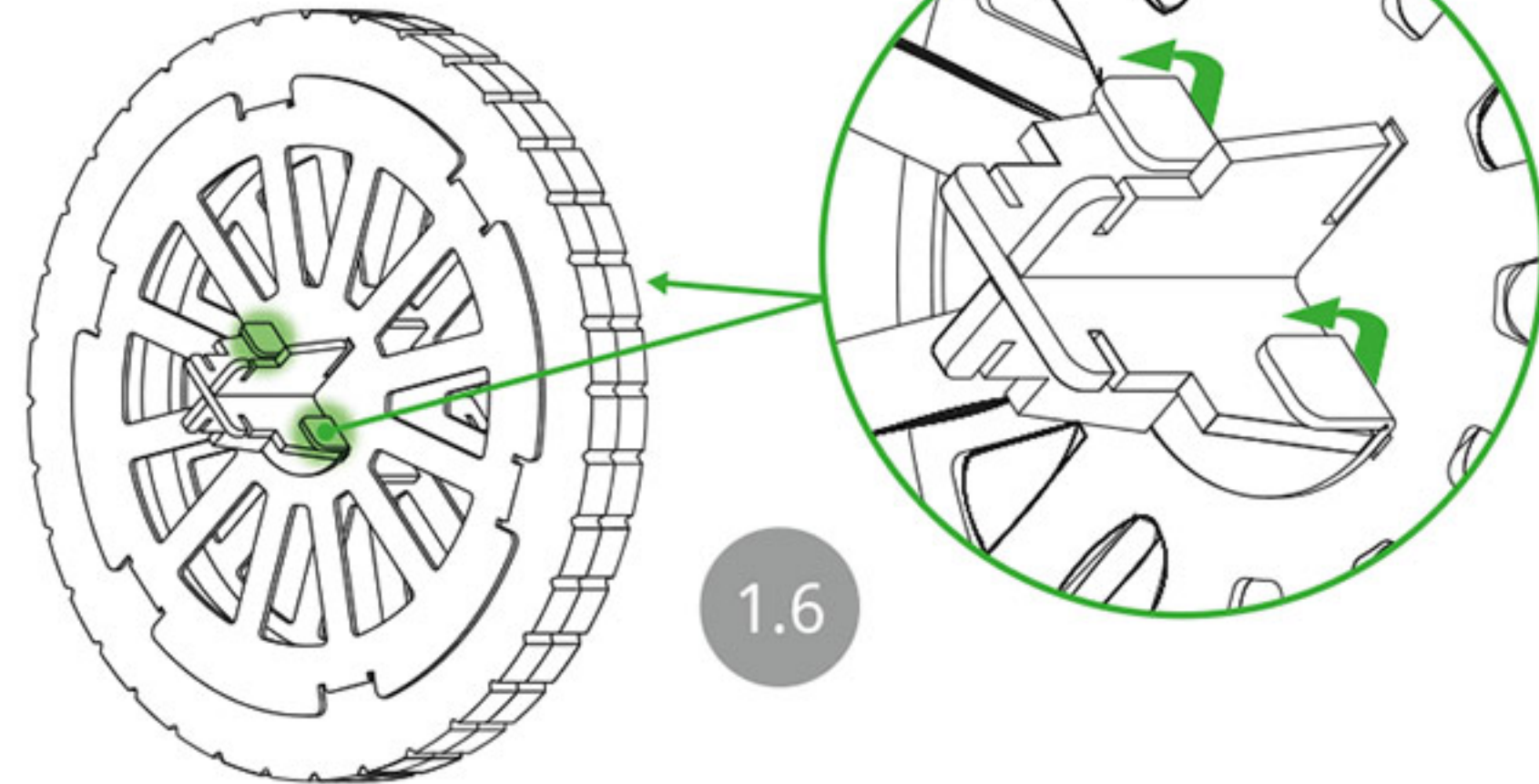
1.2



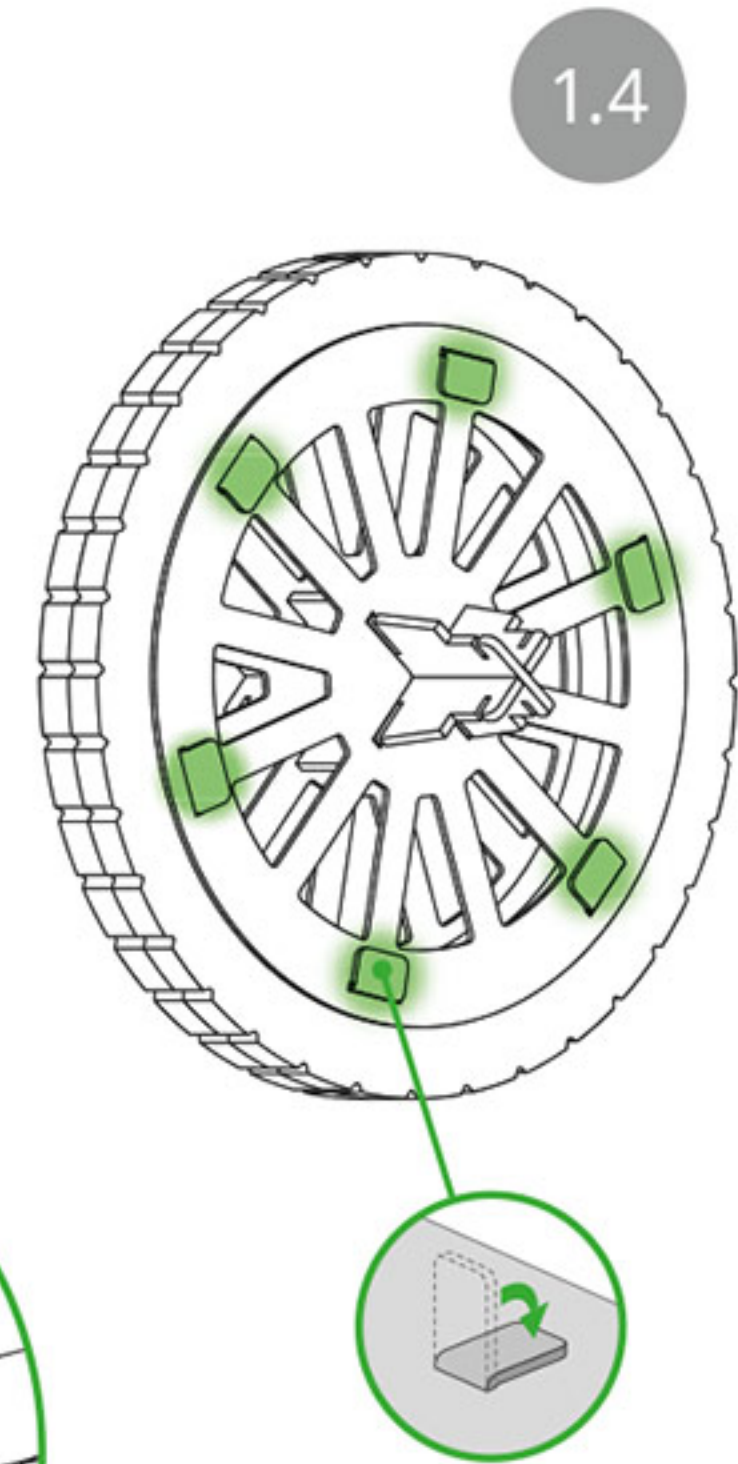
1.3



1.5



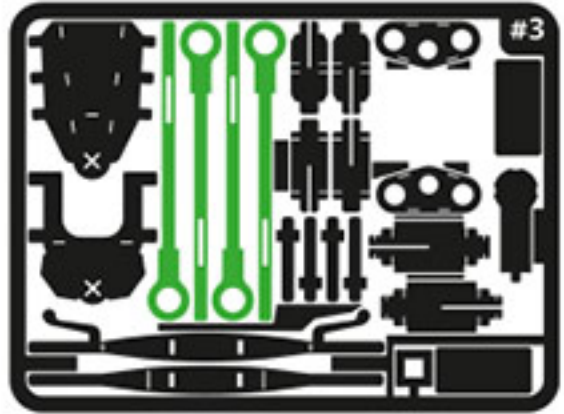
1.6



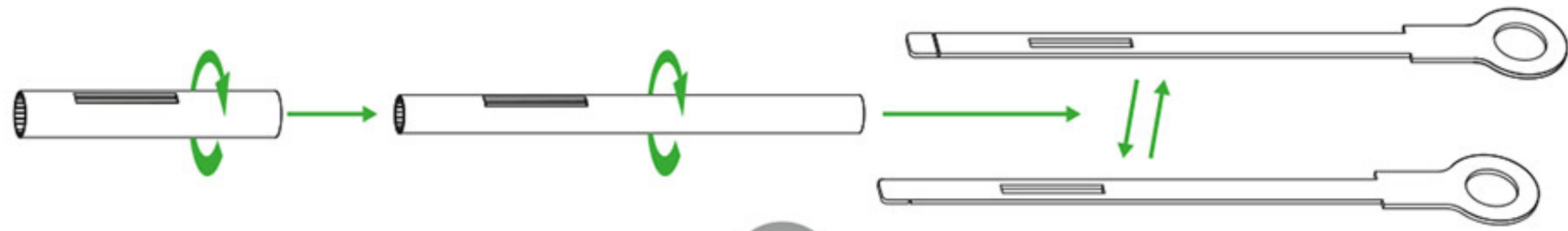
1.4



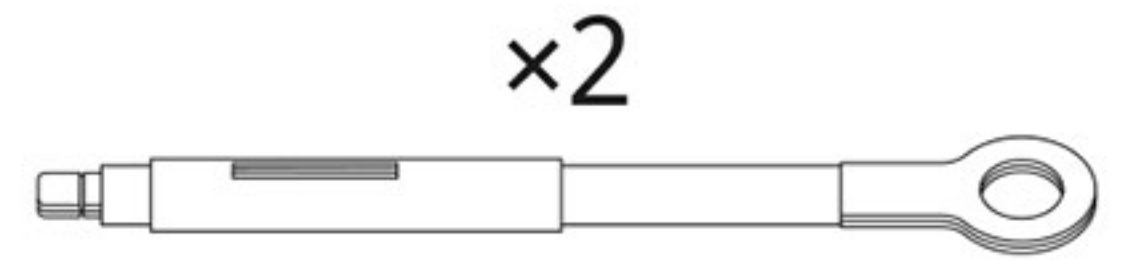
#1



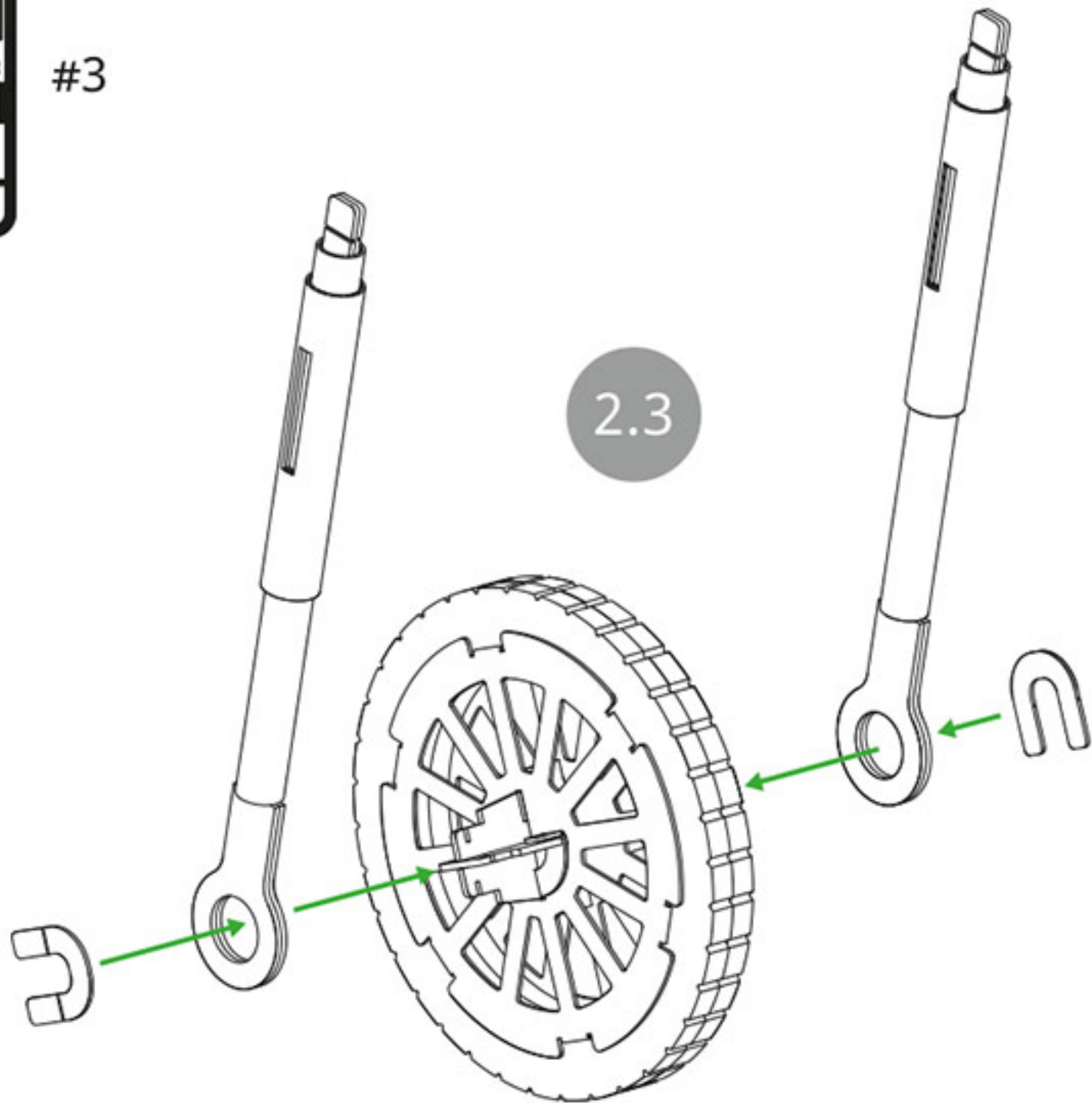
#3



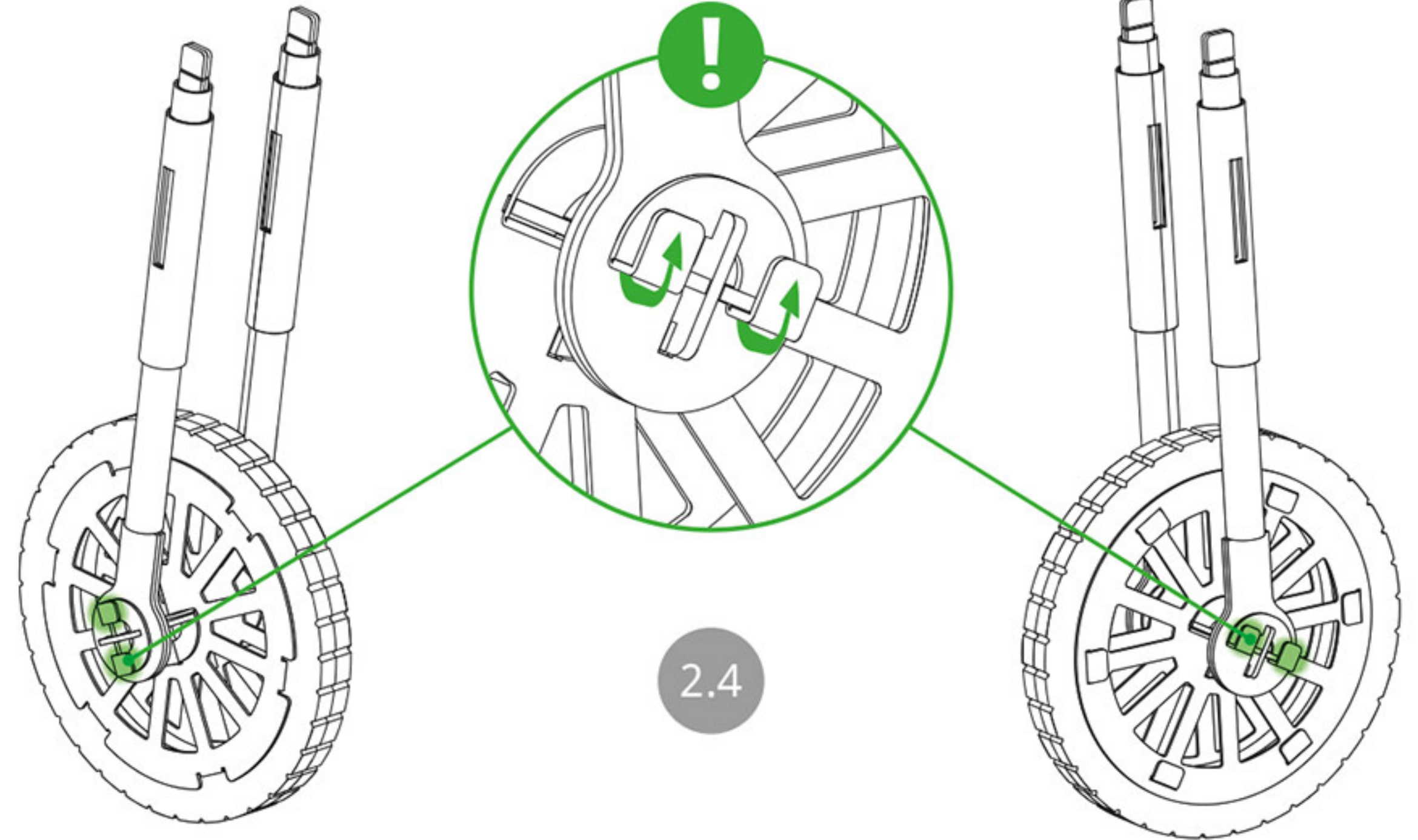
2.1



2.2



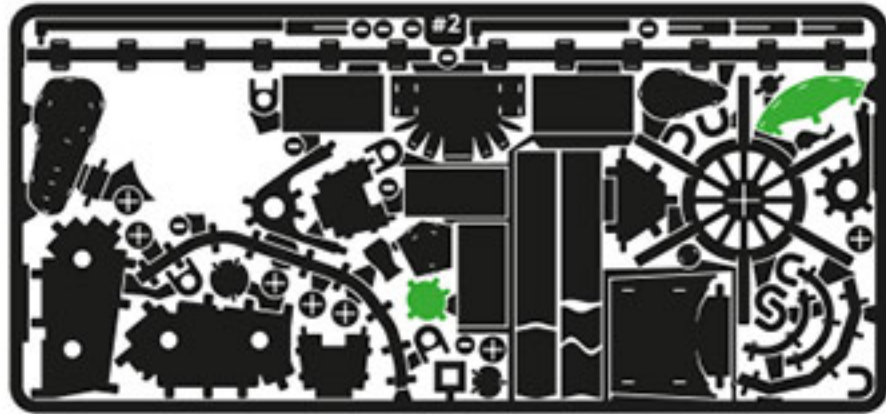
2.3



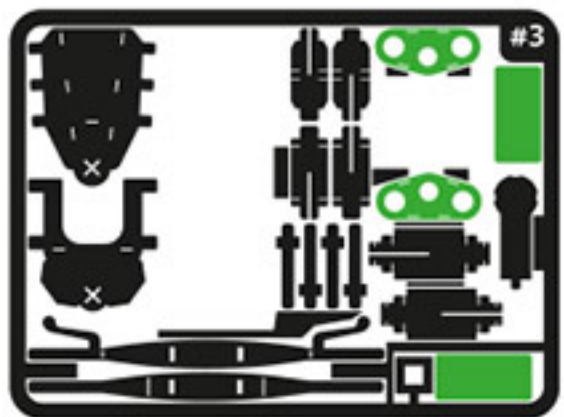
2.4



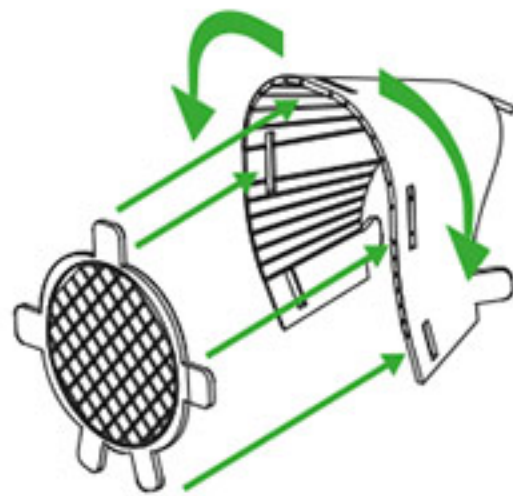
#1



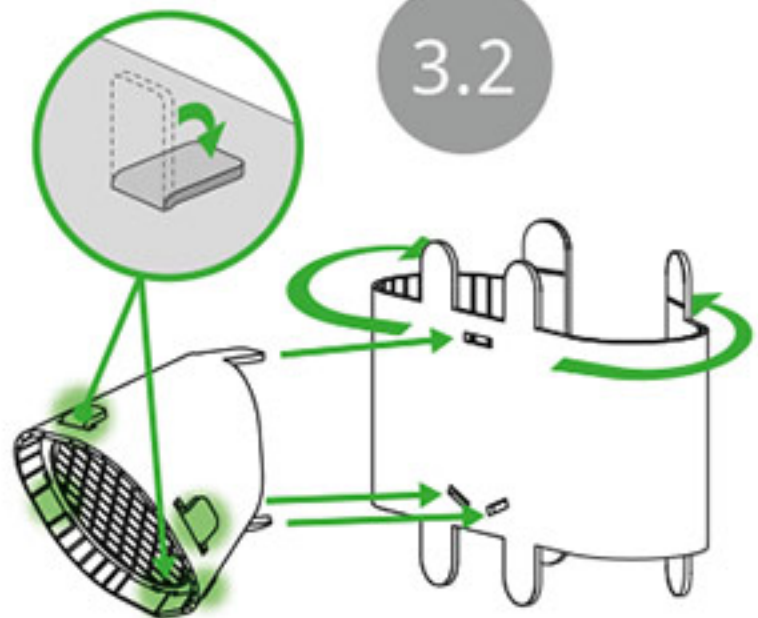
#2



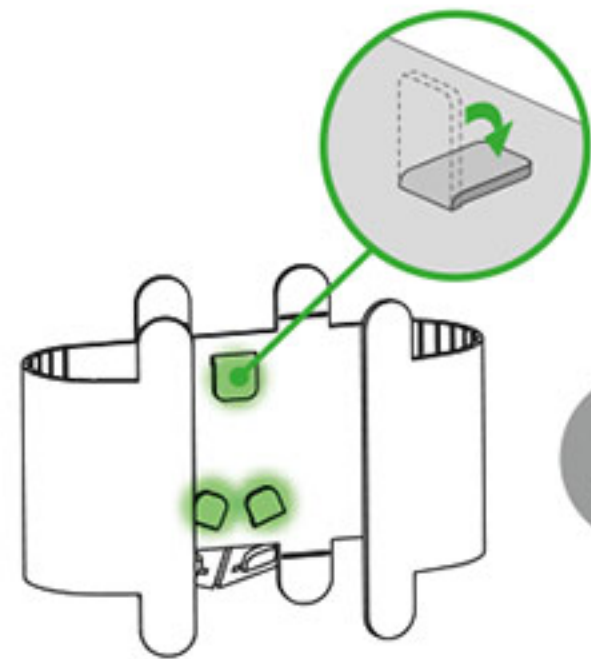
#3



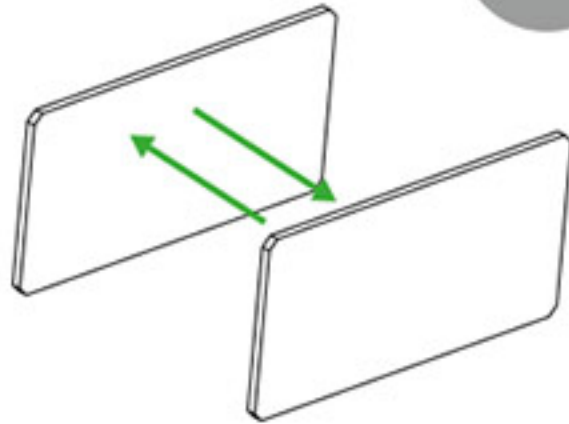
3.1



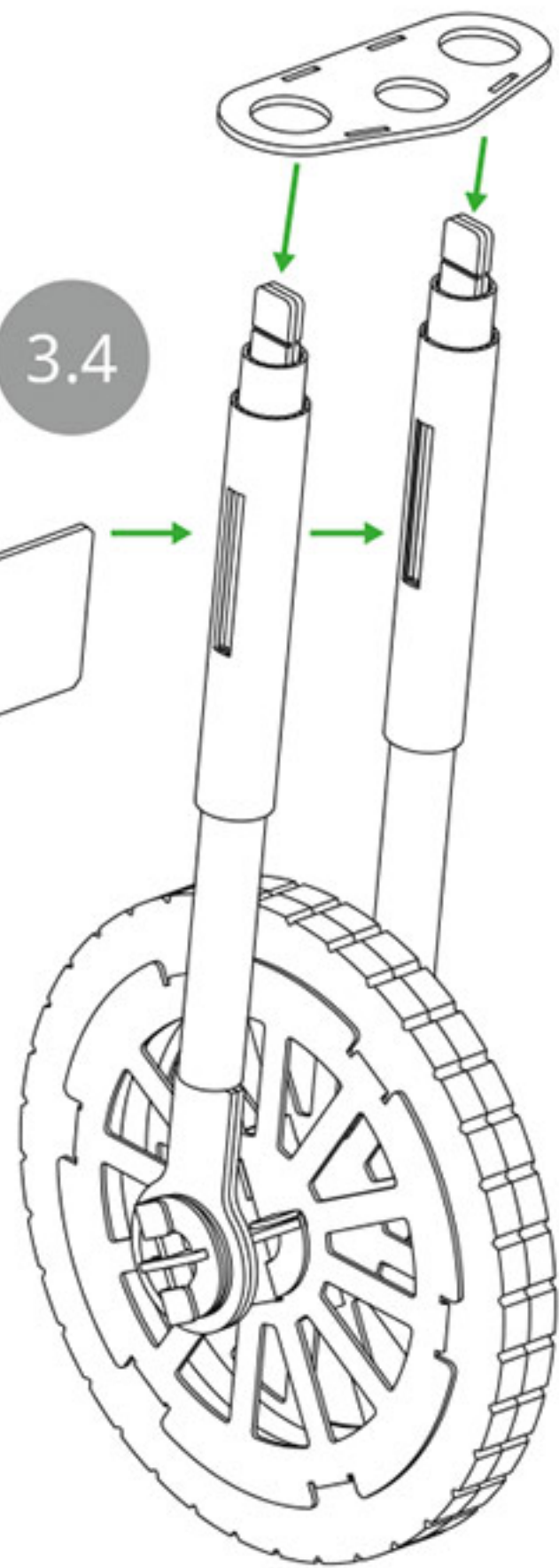
3.2



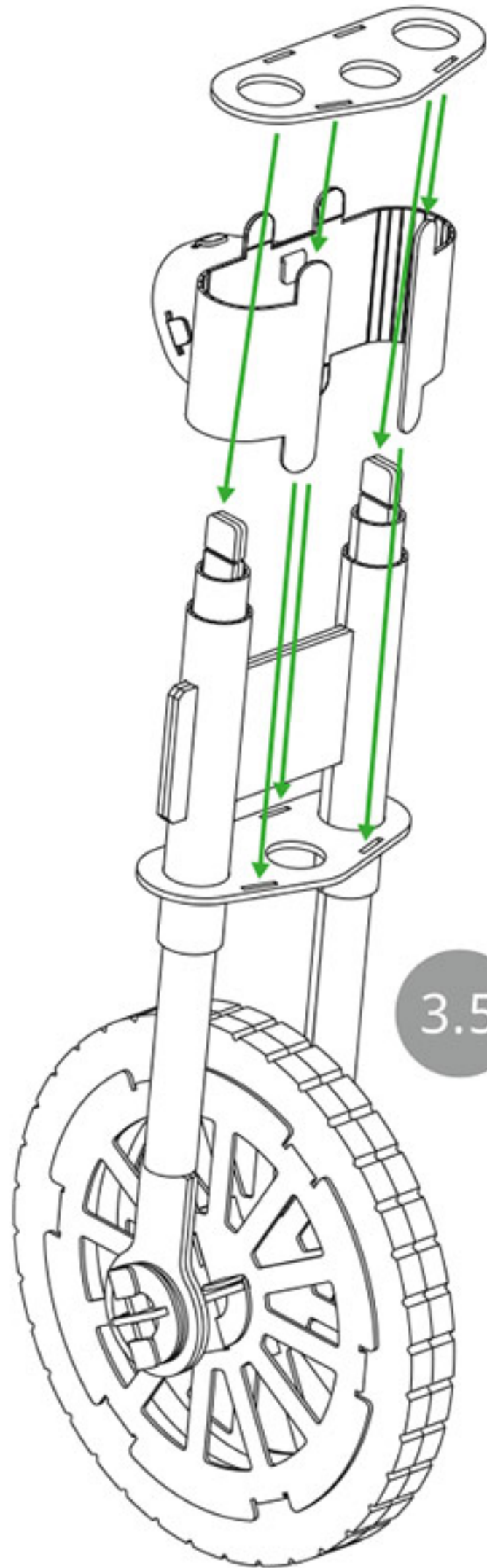
3.3



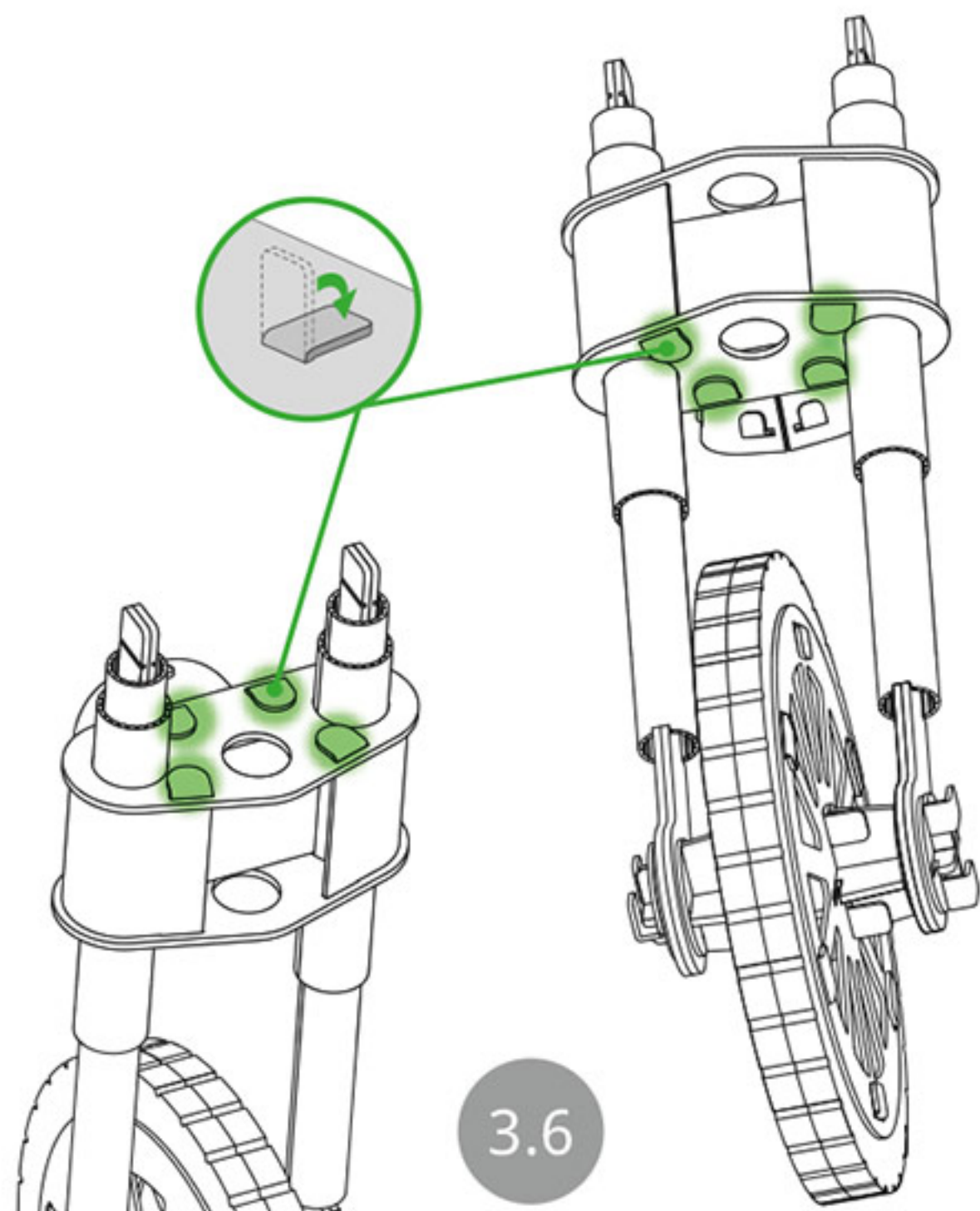
3.4



3.5



3.6

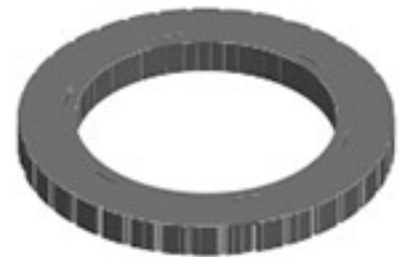




#1

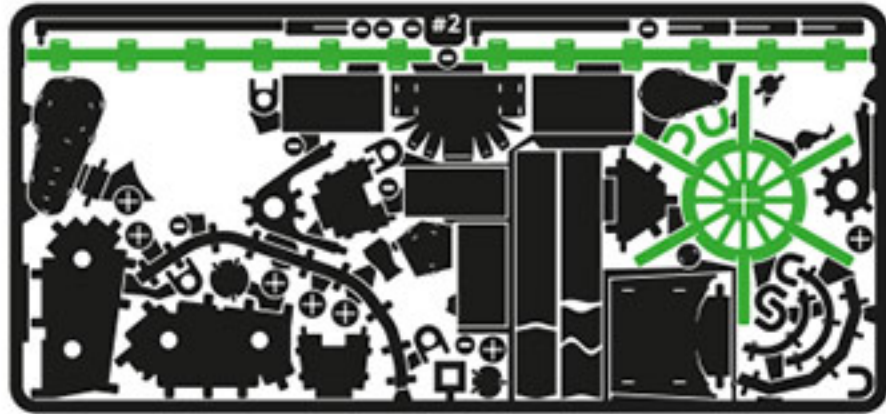


G1

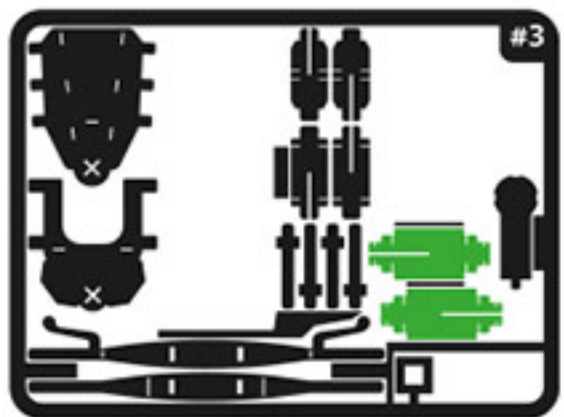


D1

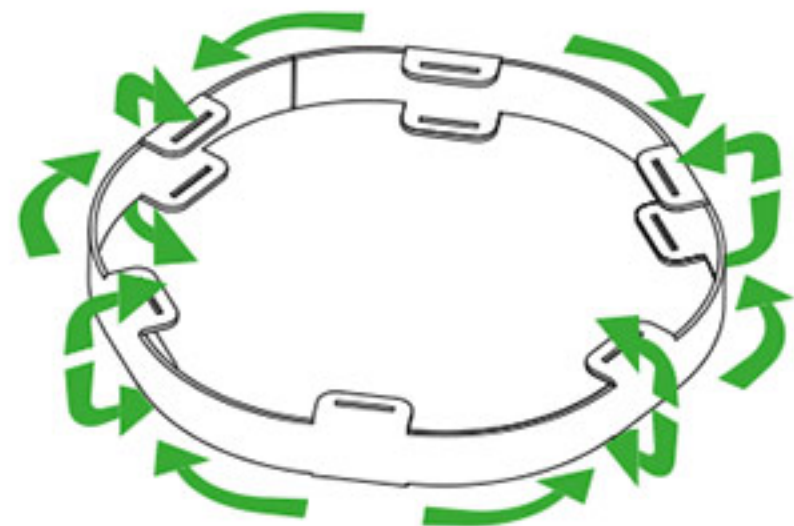
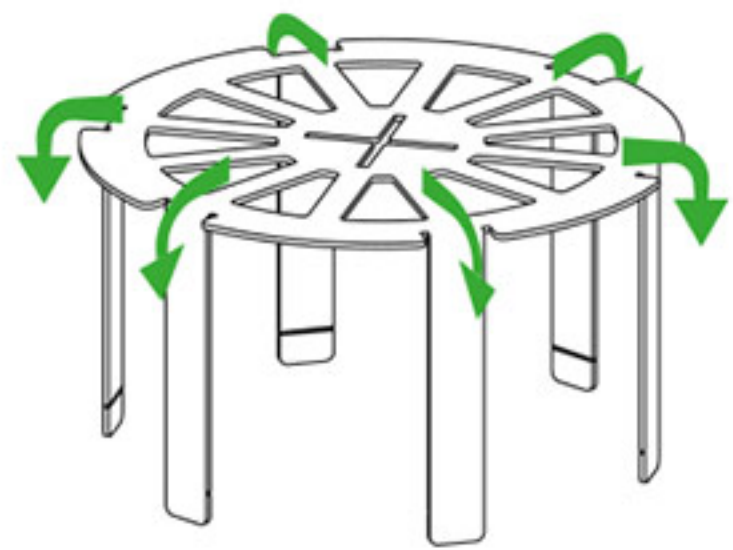
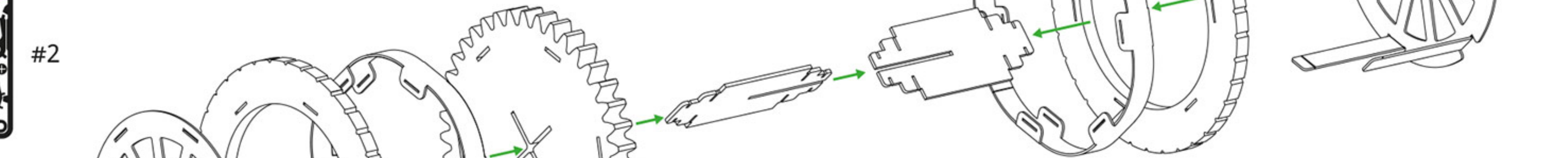
x2



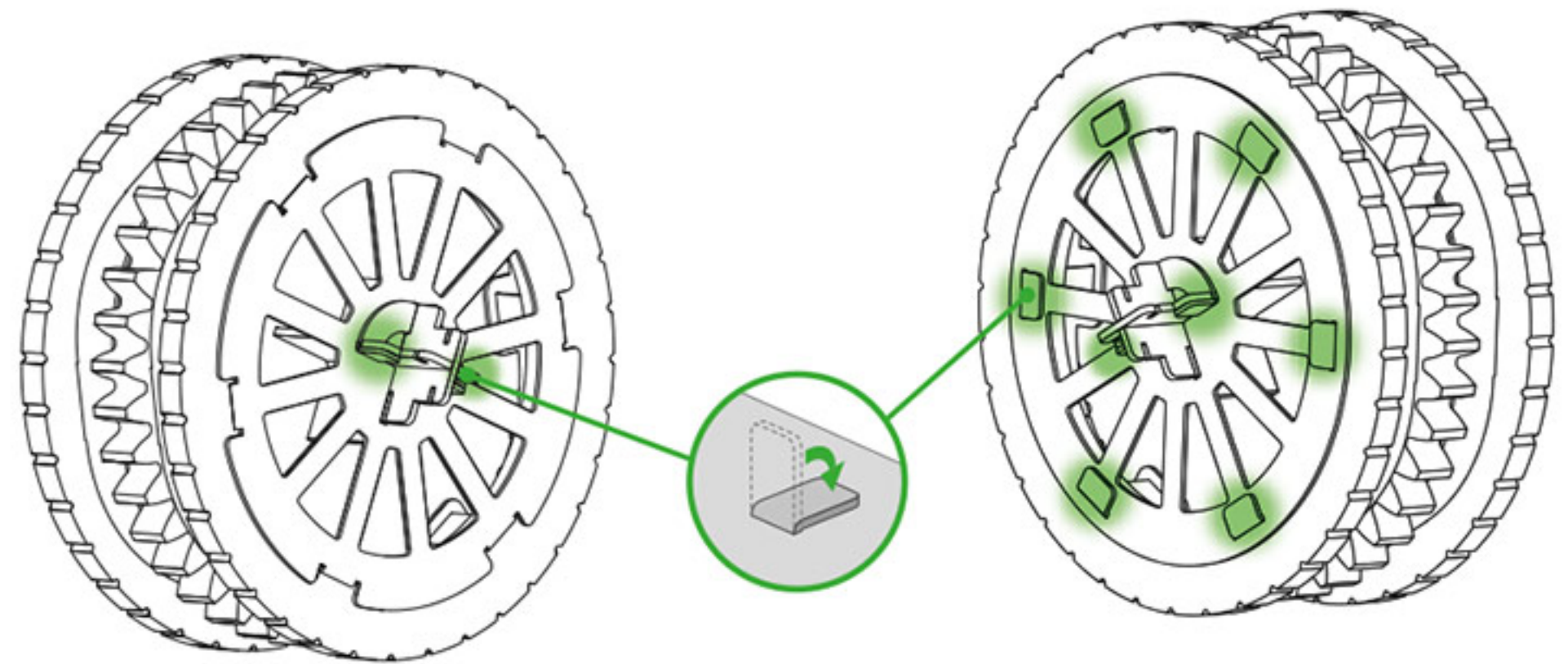
#2

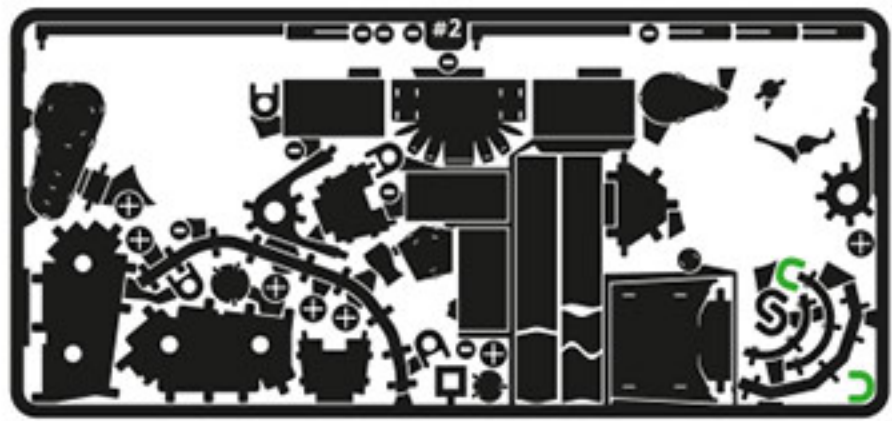


#3



x2



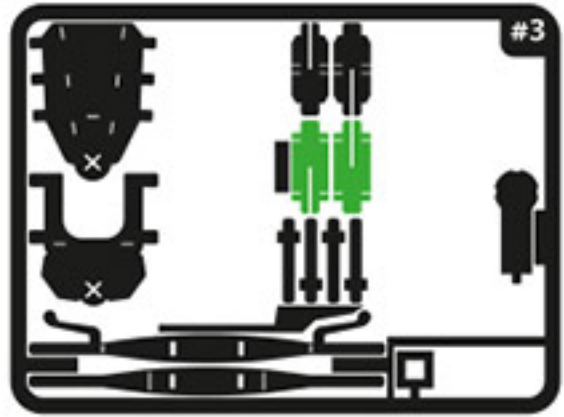


#2

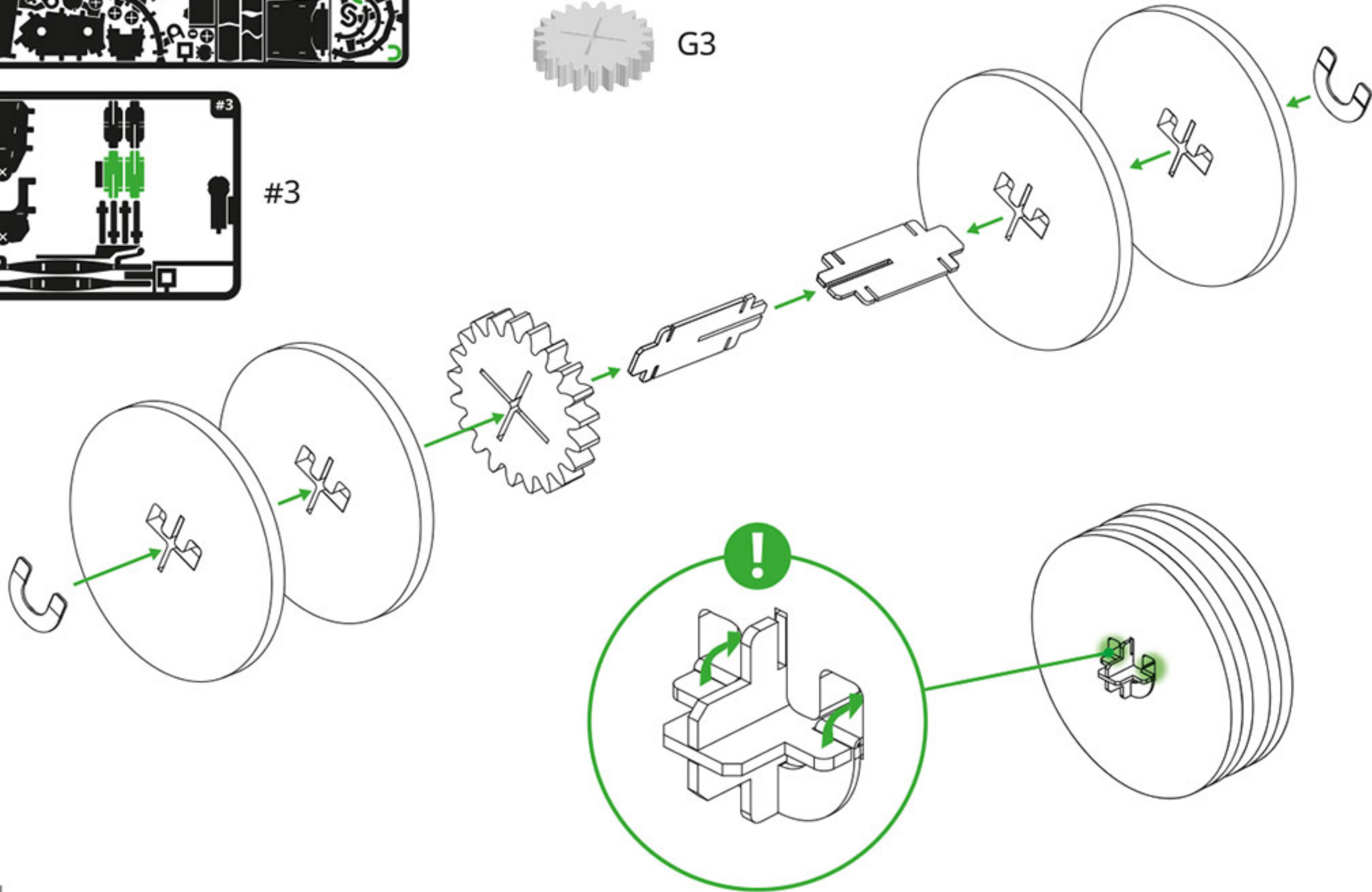


D2 x4

G3

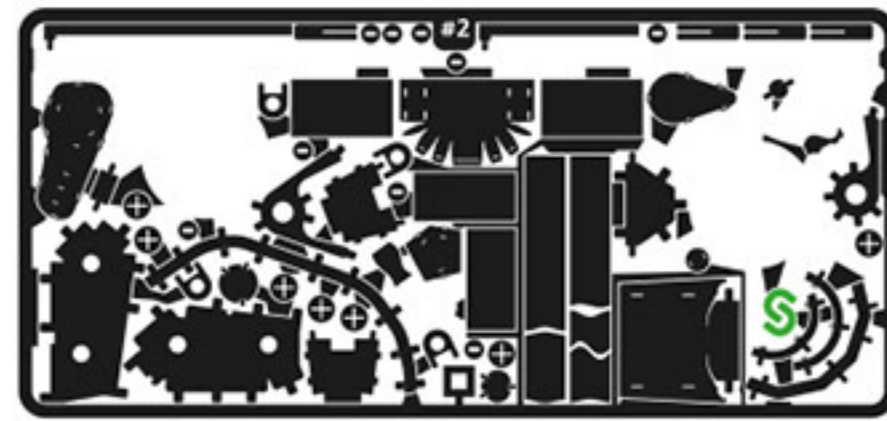


#3

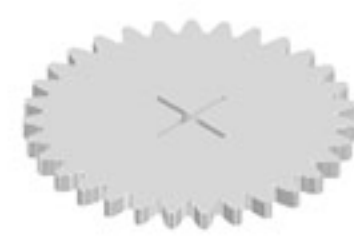


5

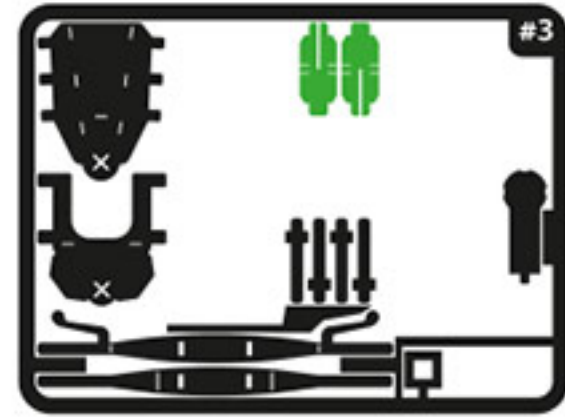
7



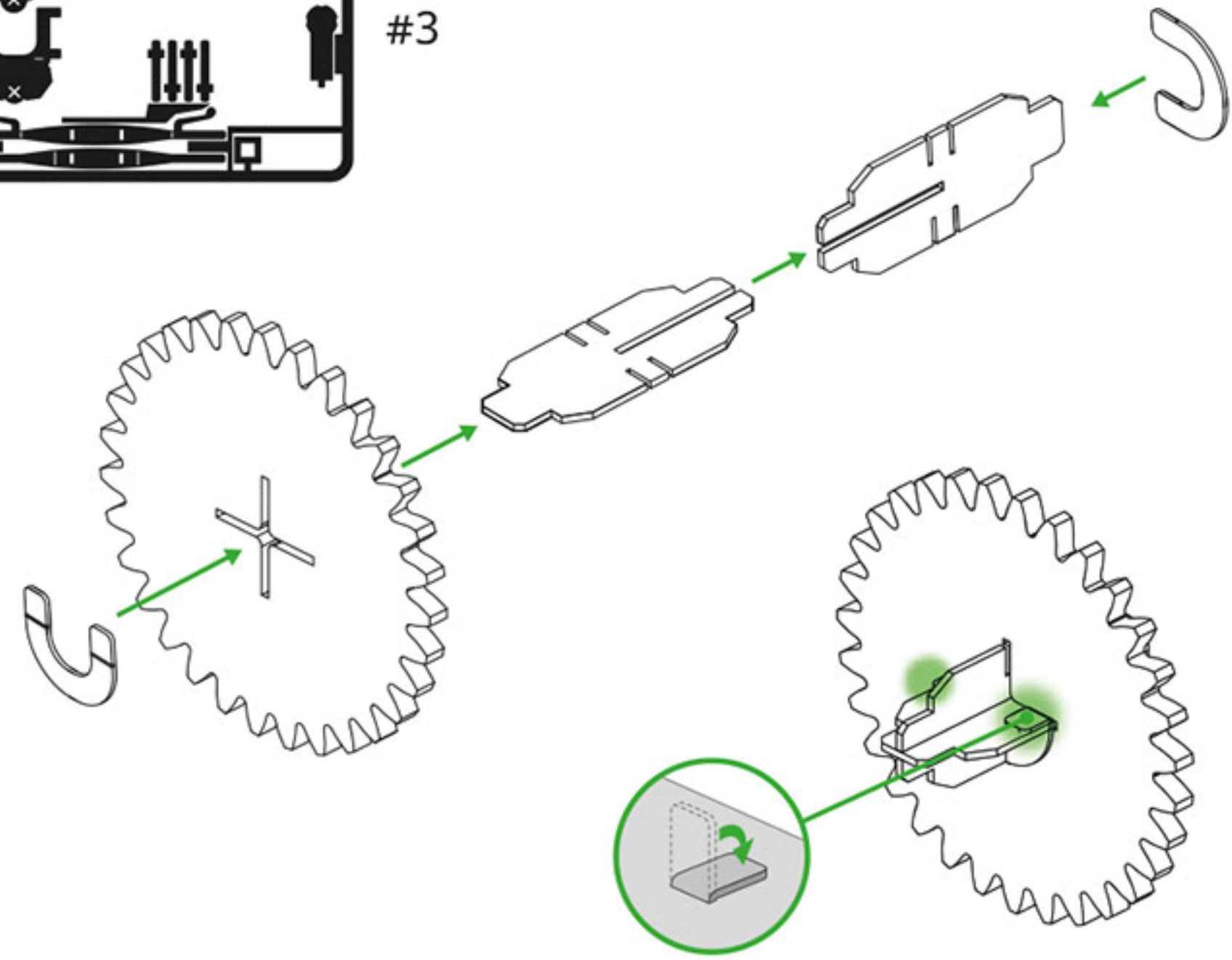
#2



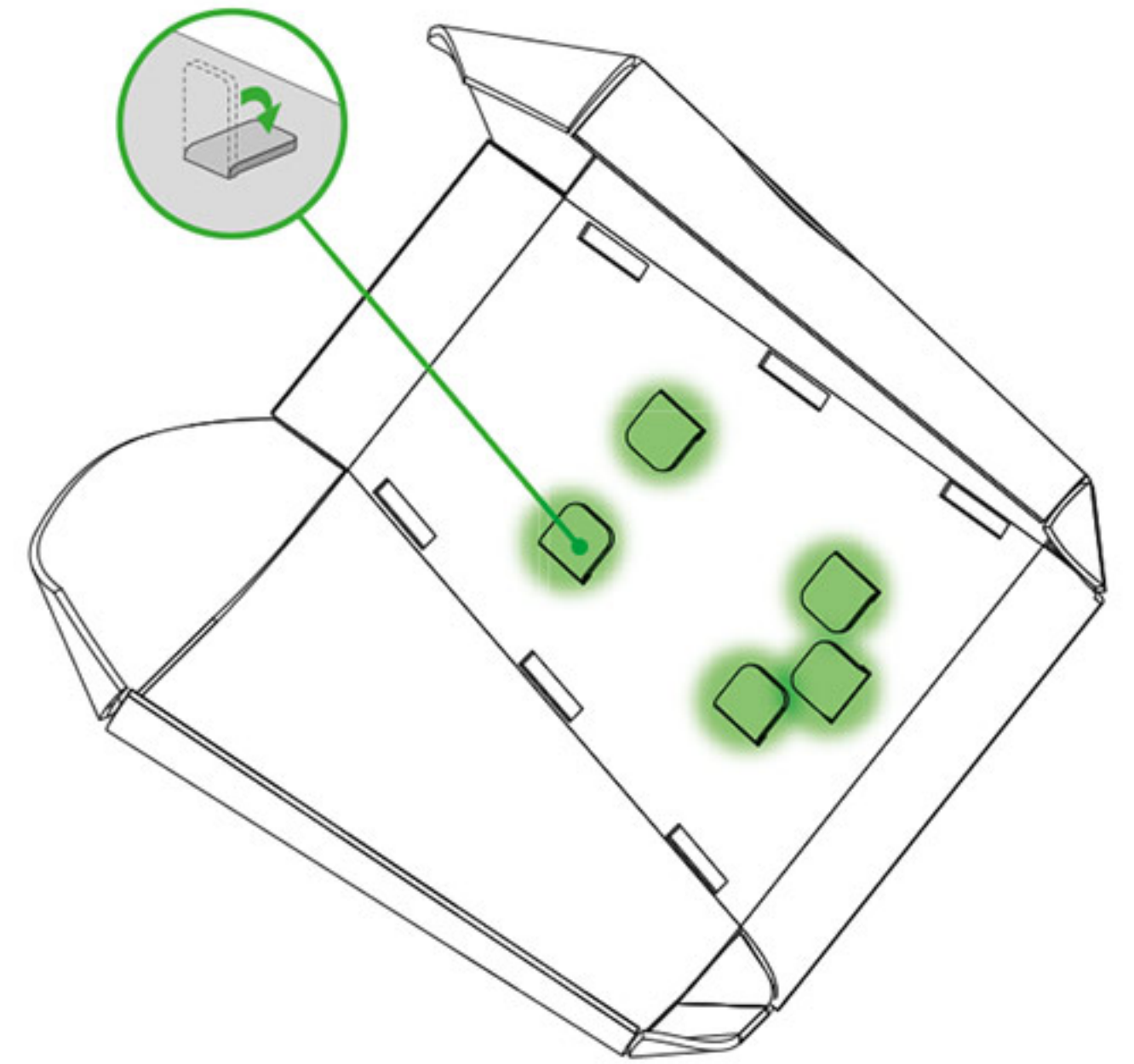
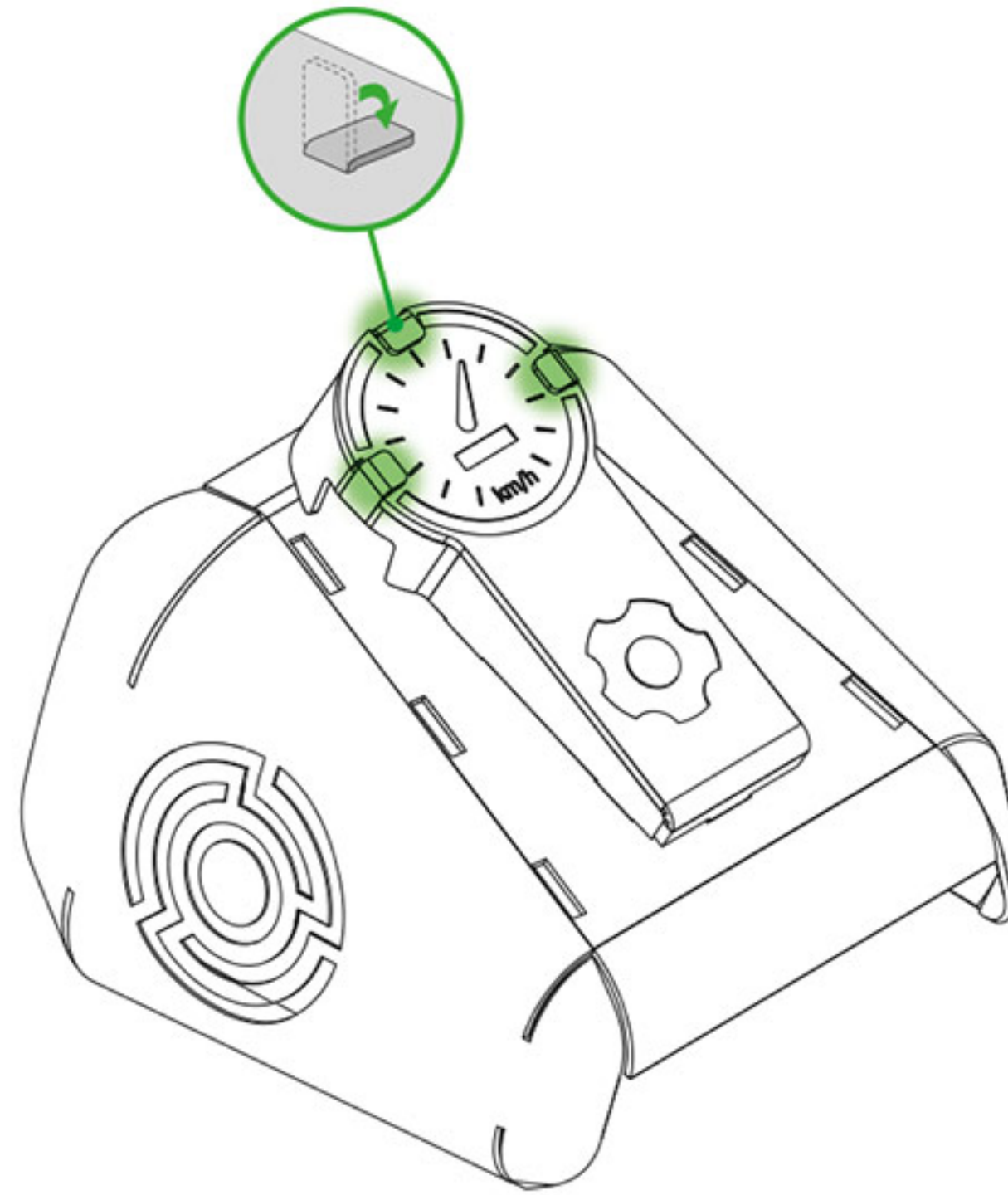
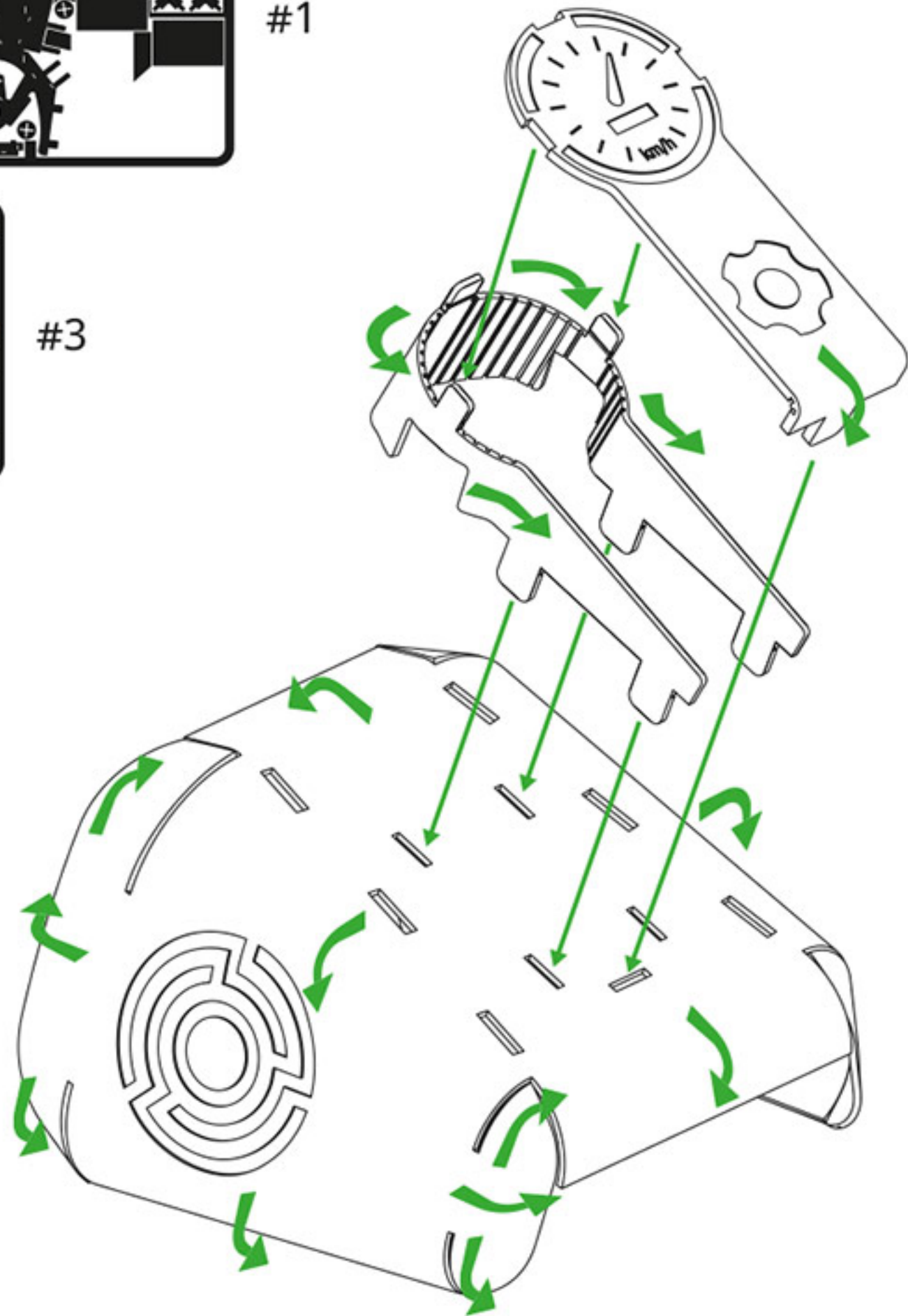
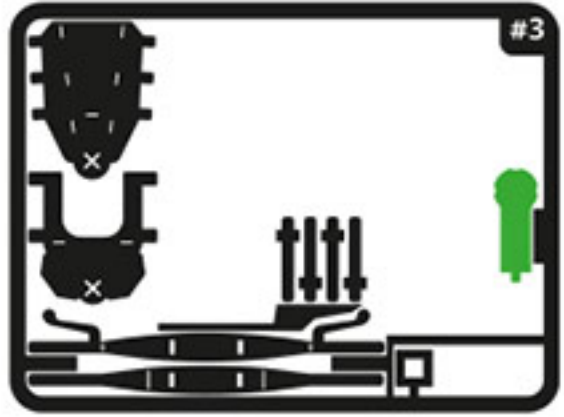
G2



#3

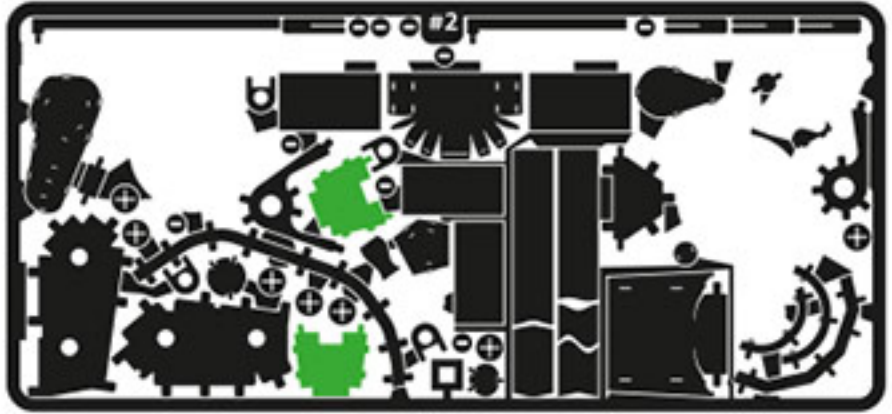


6

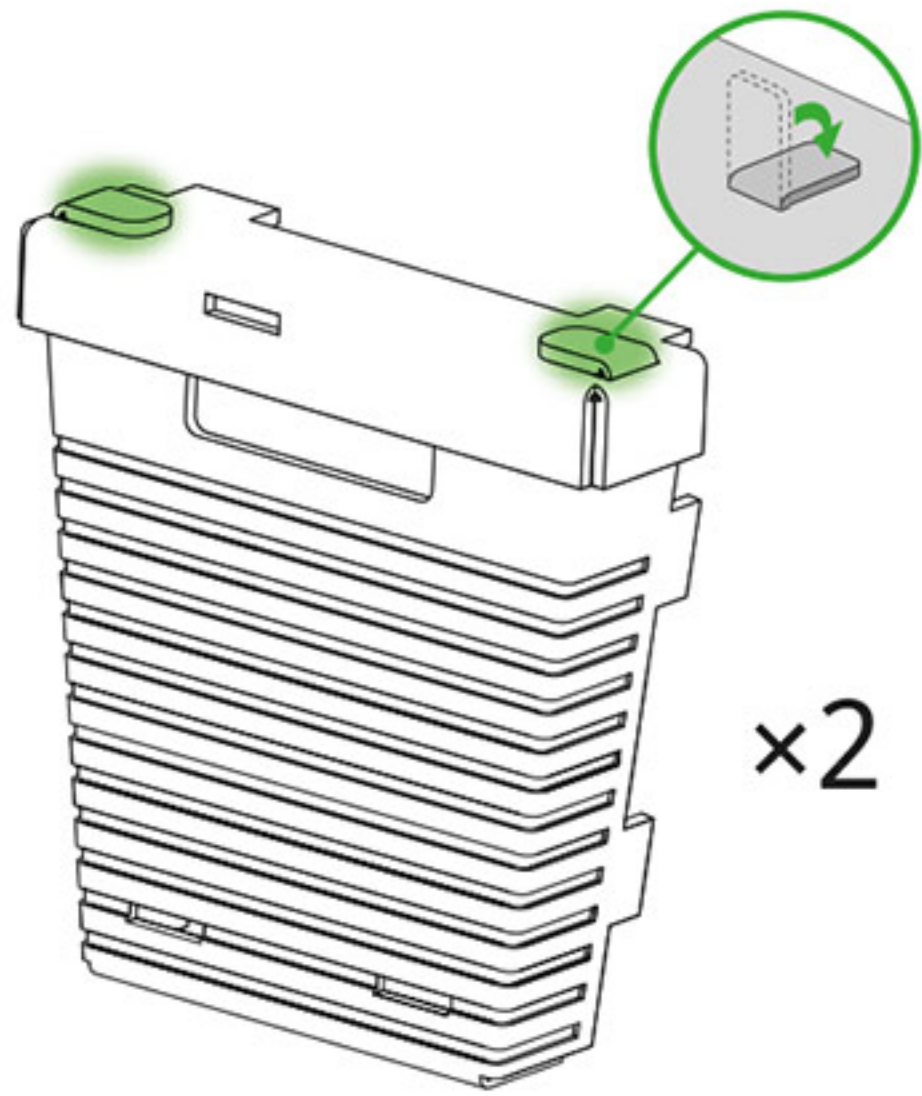




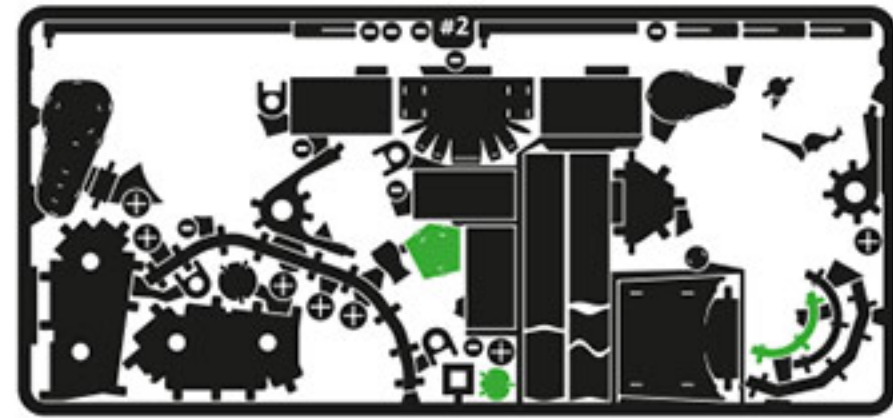
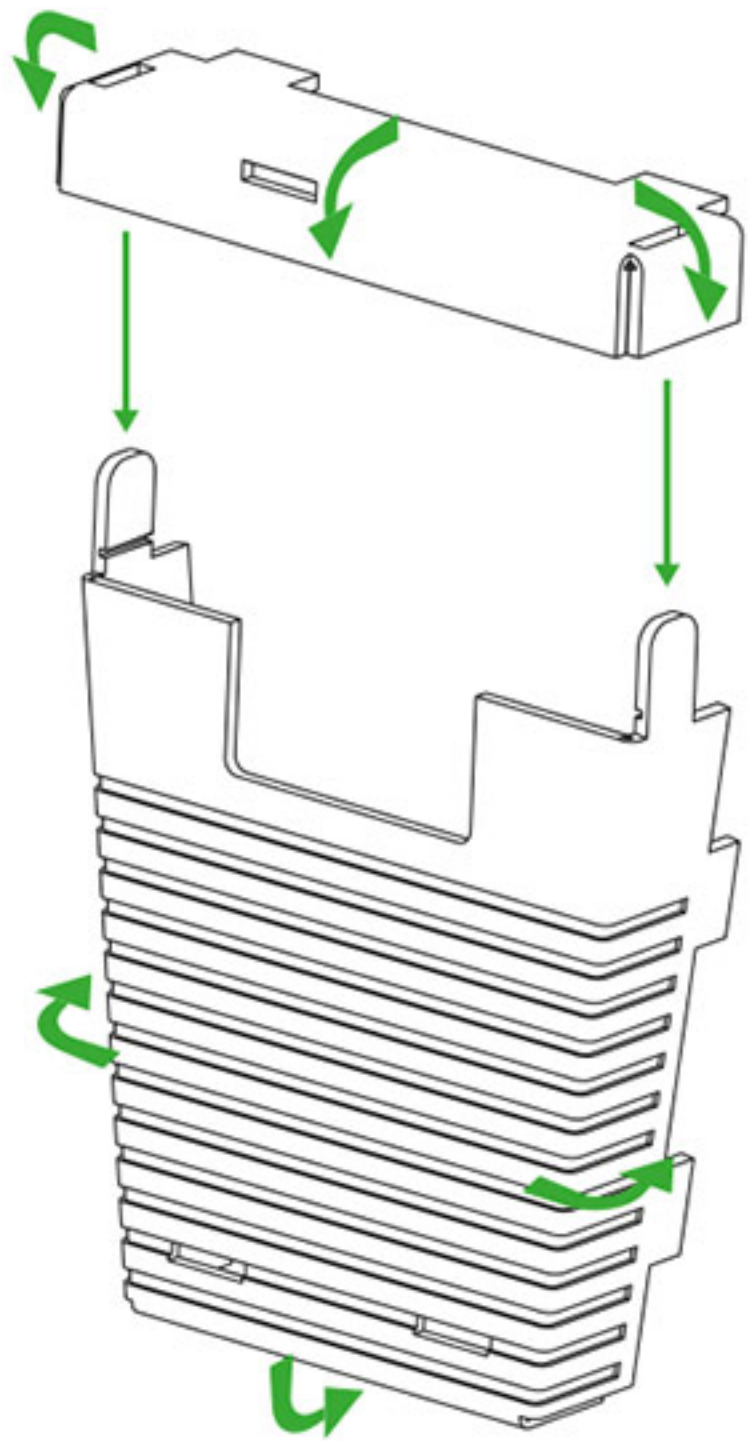
#1



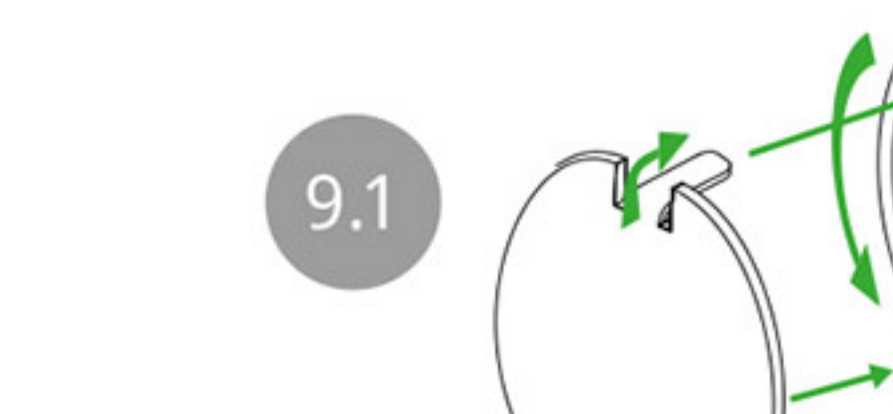
#2



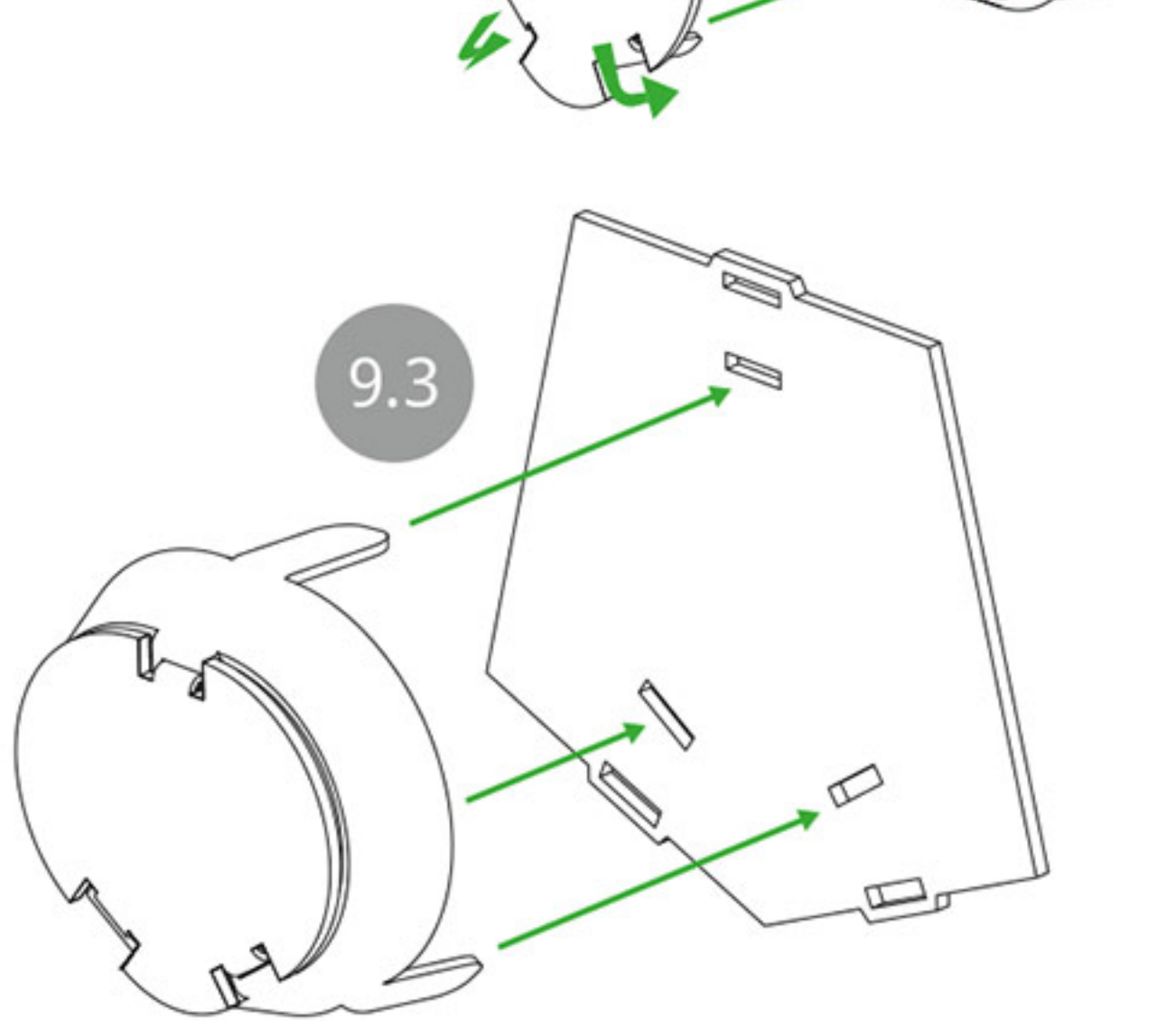
x2



#1

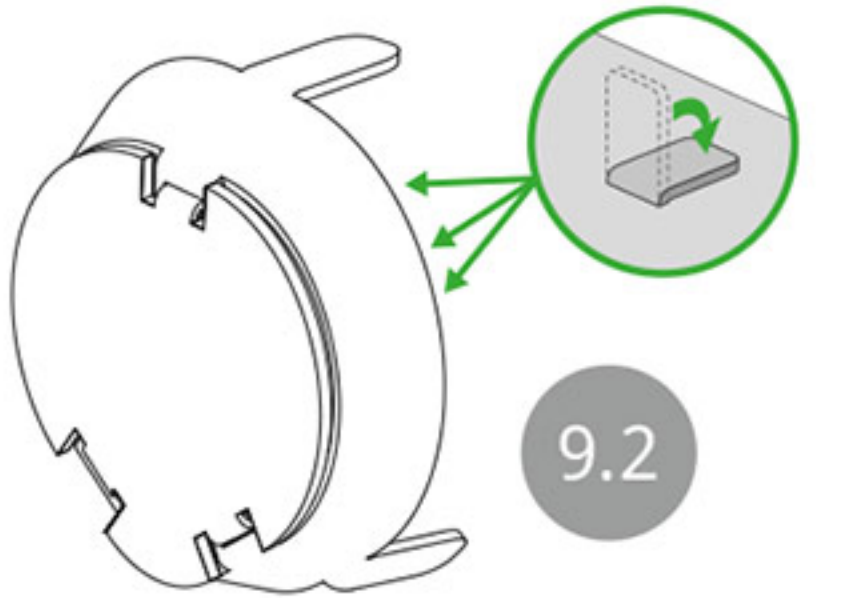


#2

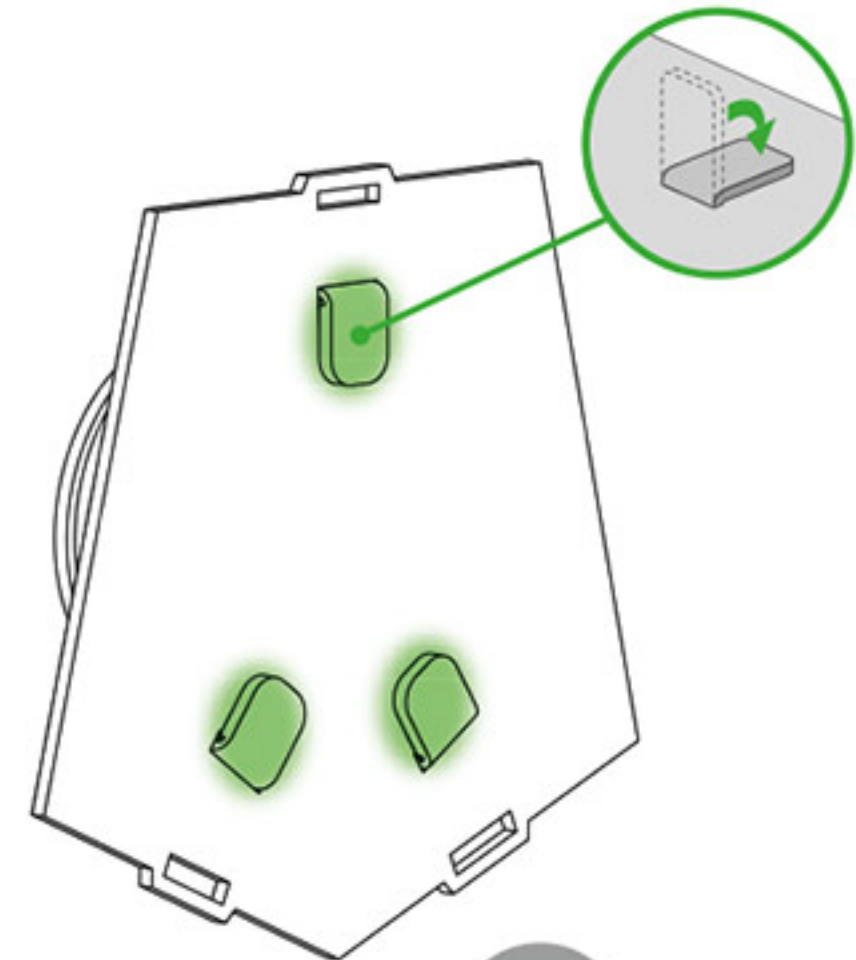


9.1

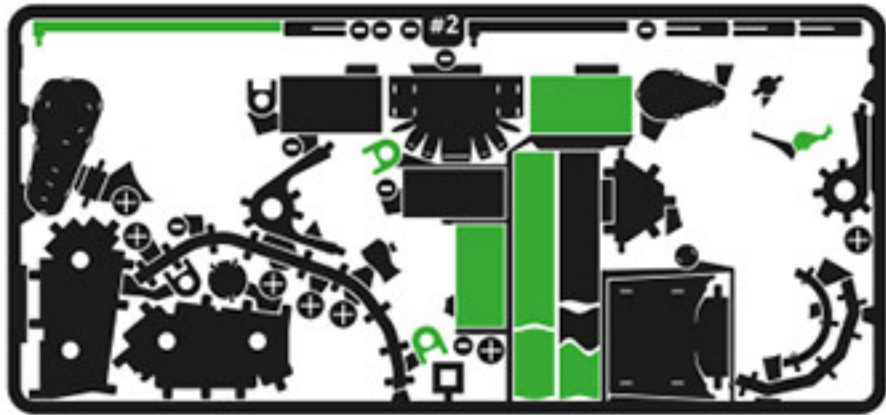
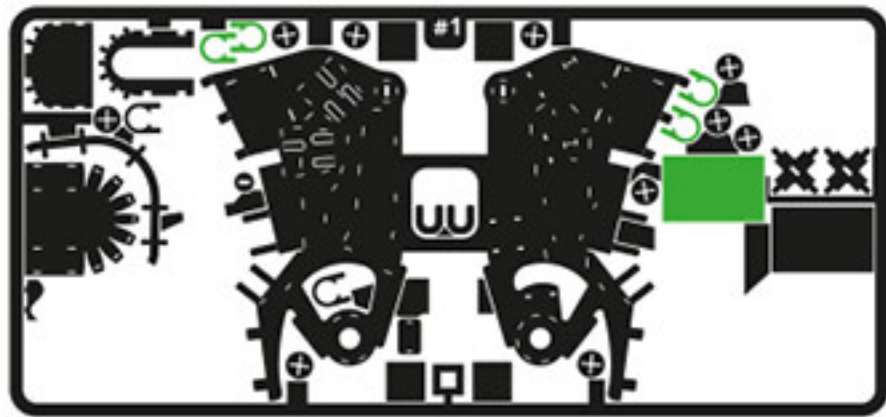
9.3



9.2

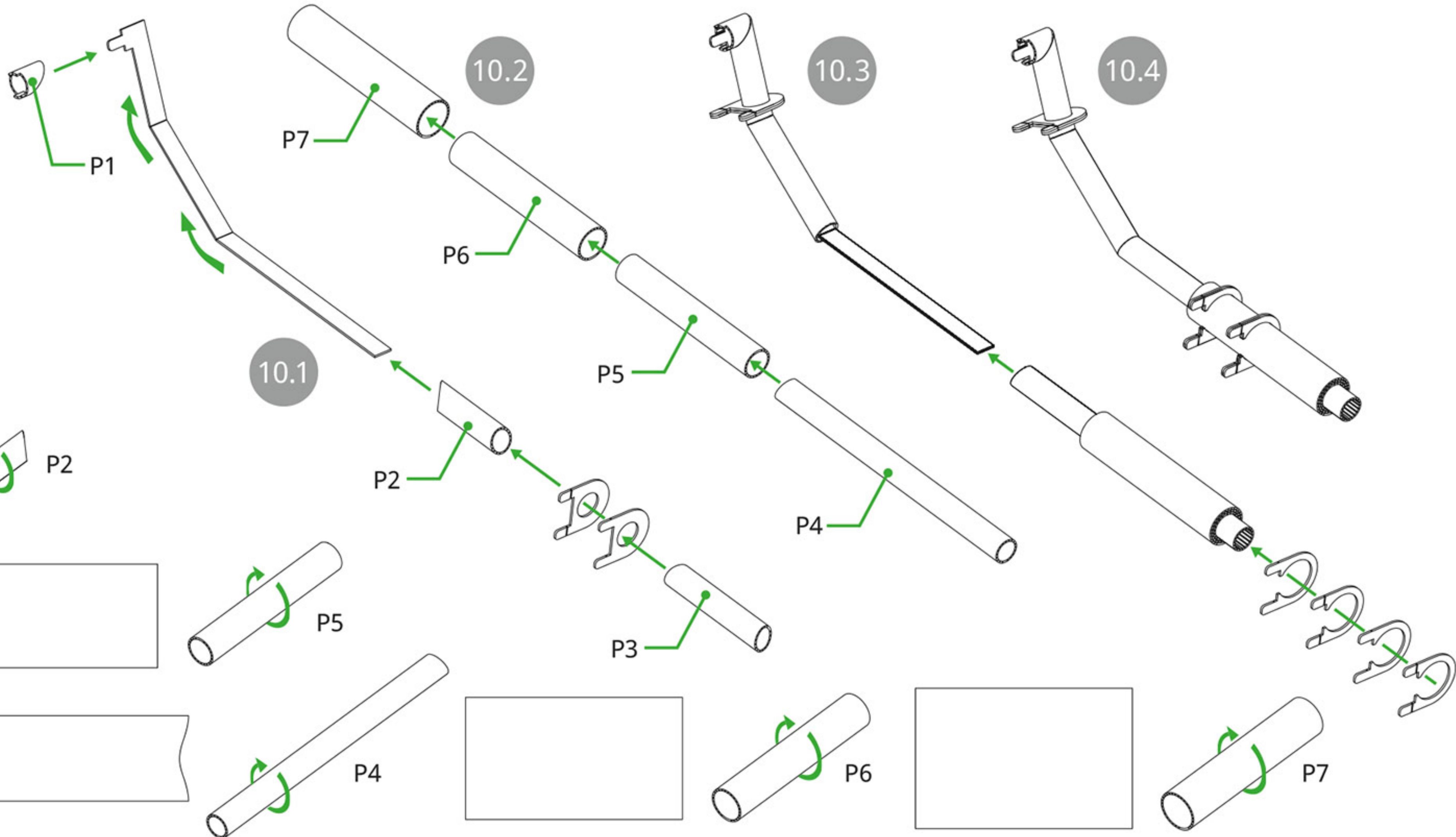


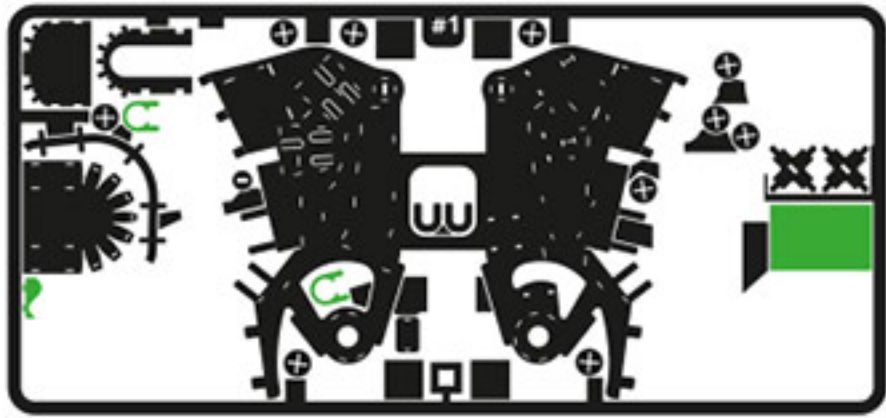
9.4



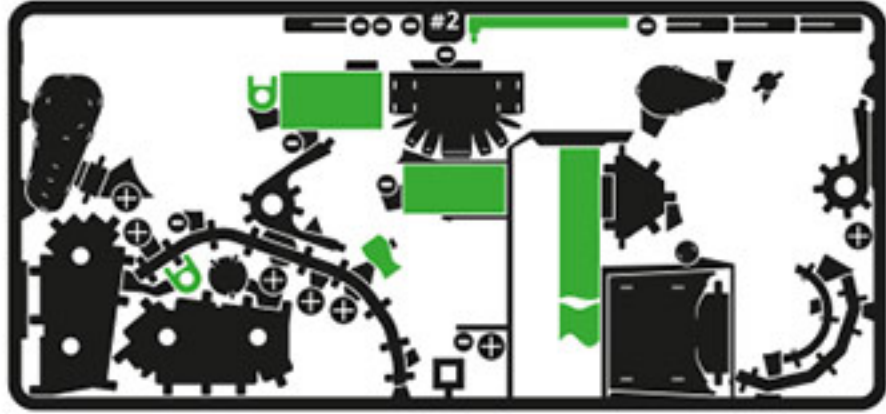
#1

#2





#1

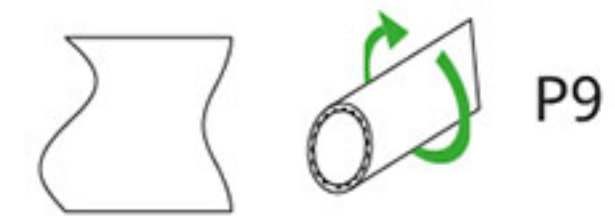


#2

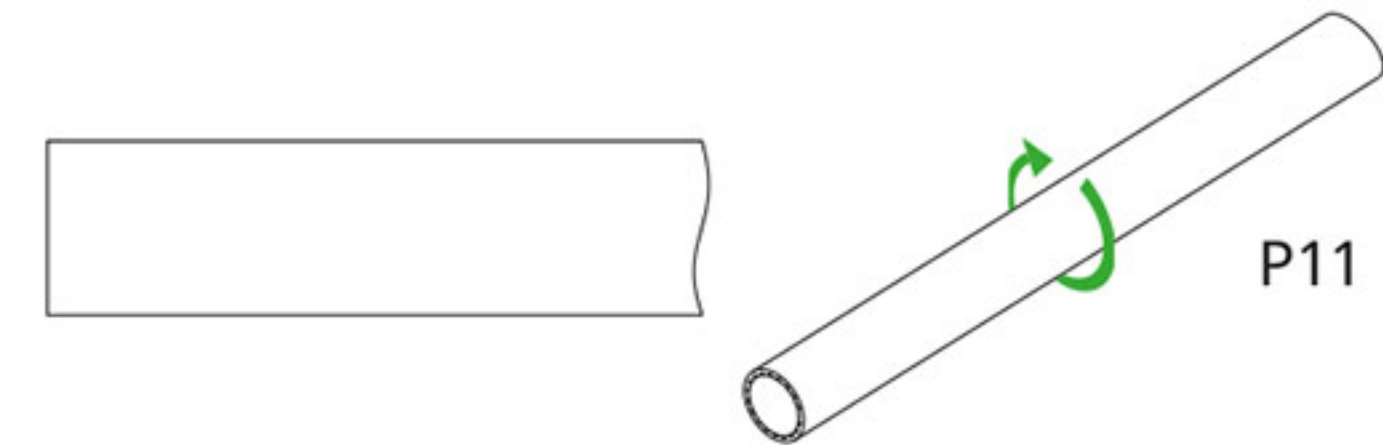


P8

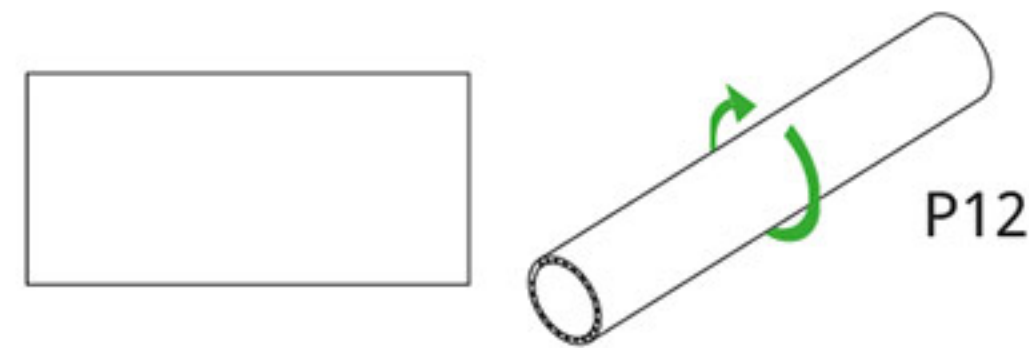
P10



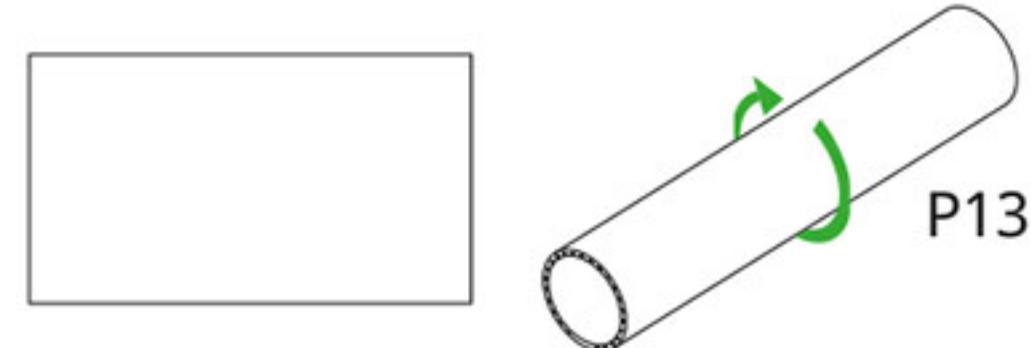
P9



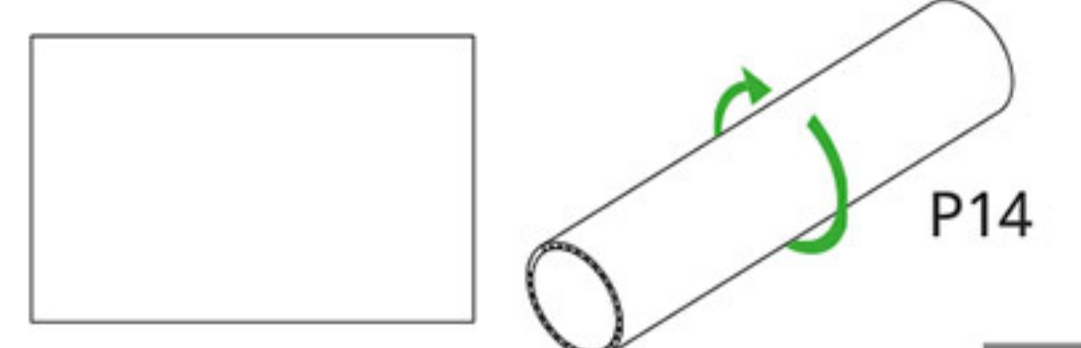
P11



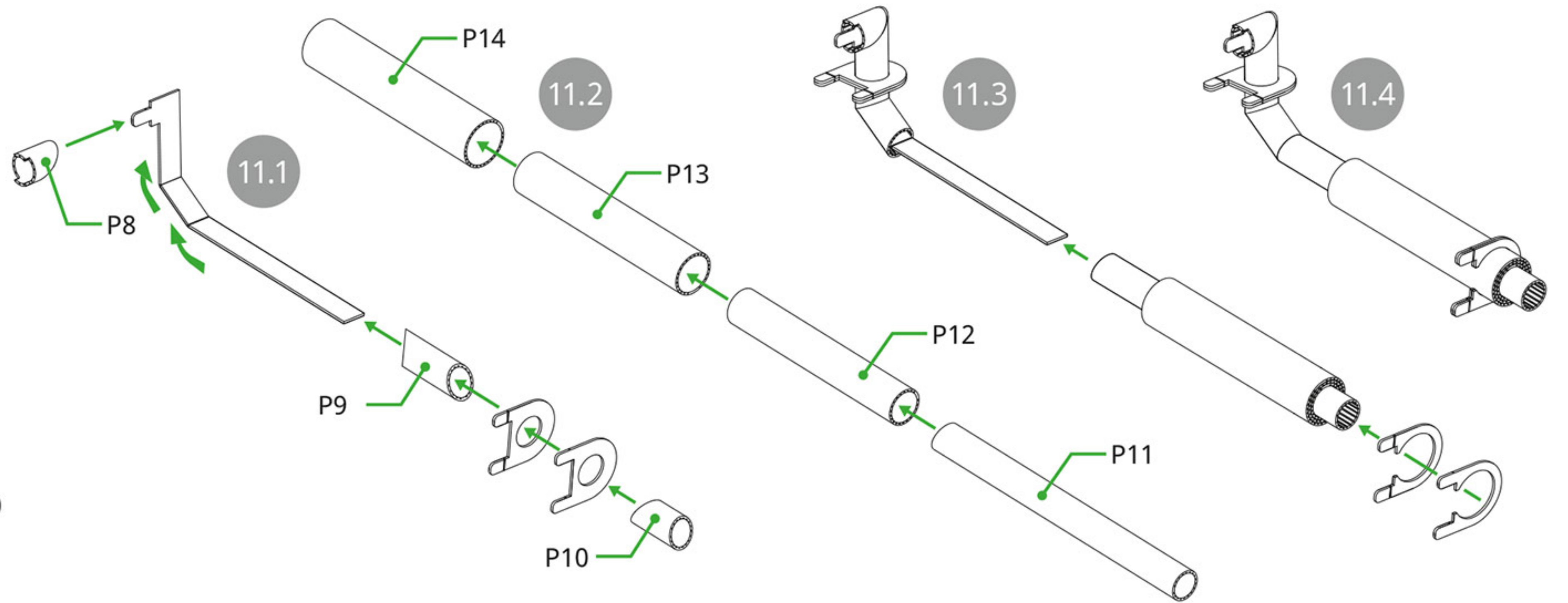
P12



P13



P14



11.1

11.2

11.3

11.4

P8

P9

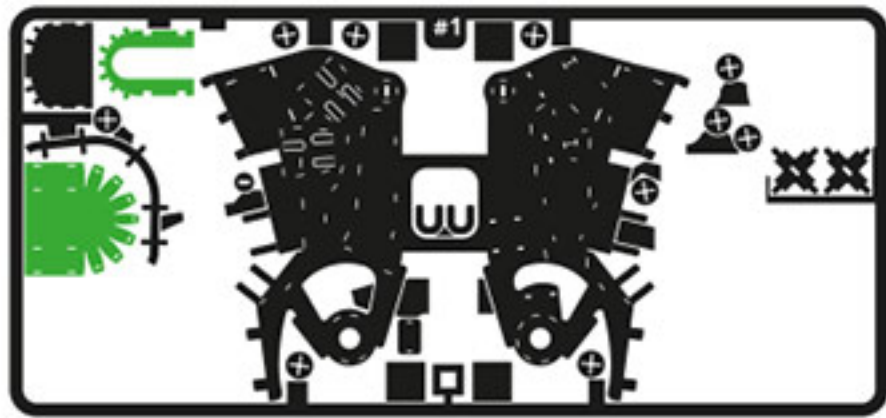
P10

P14

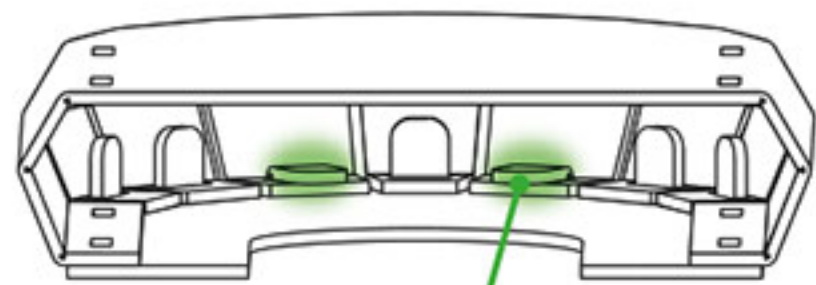
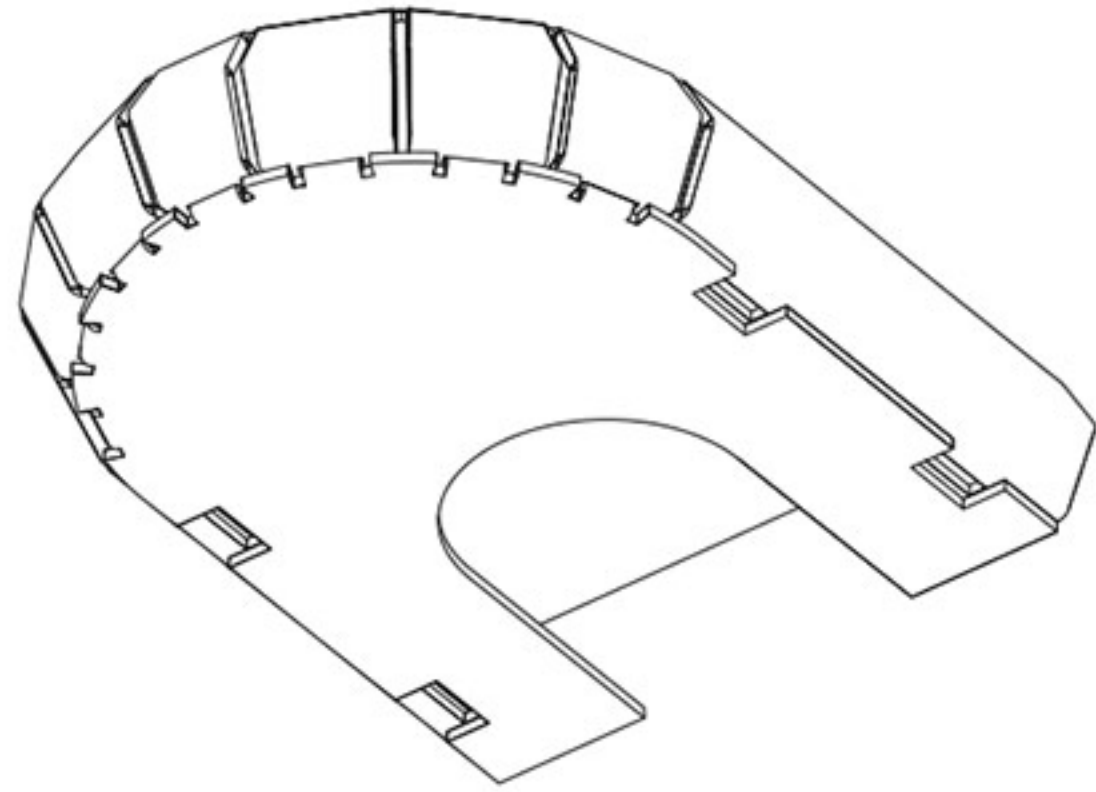
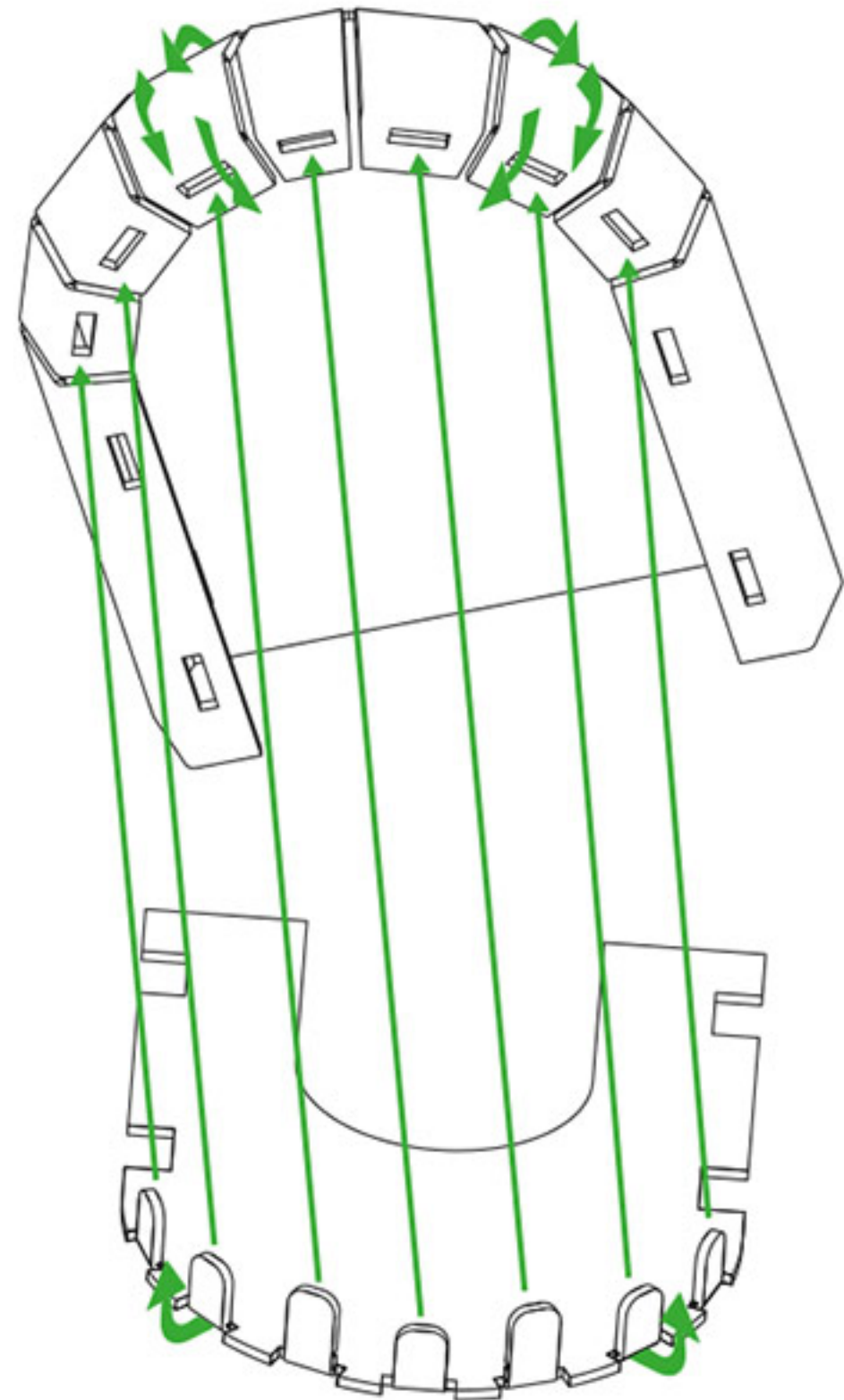
P13

P12

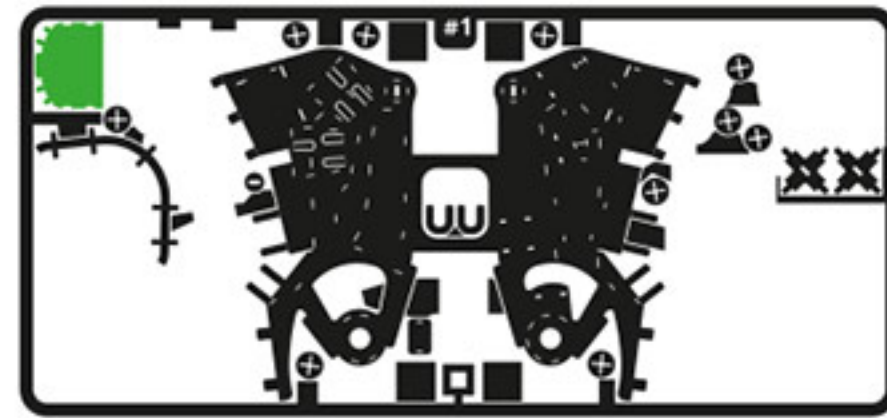
P11



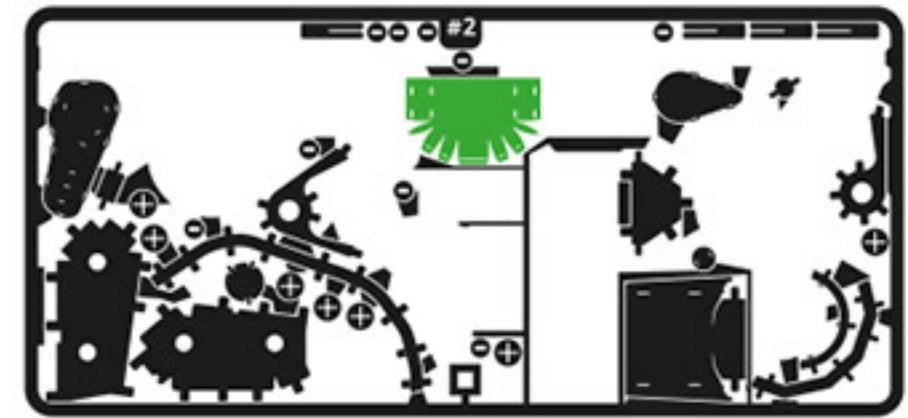
#1



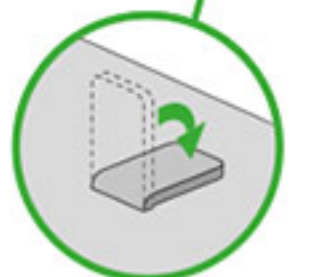
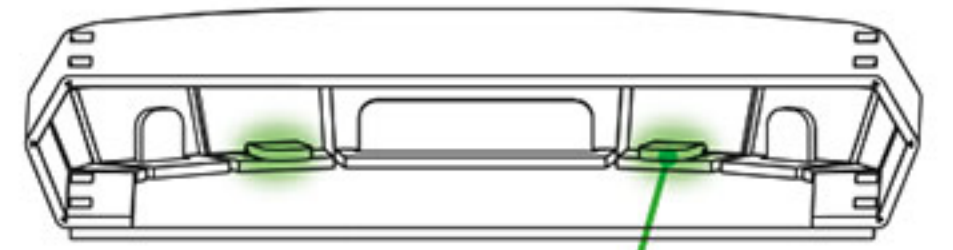
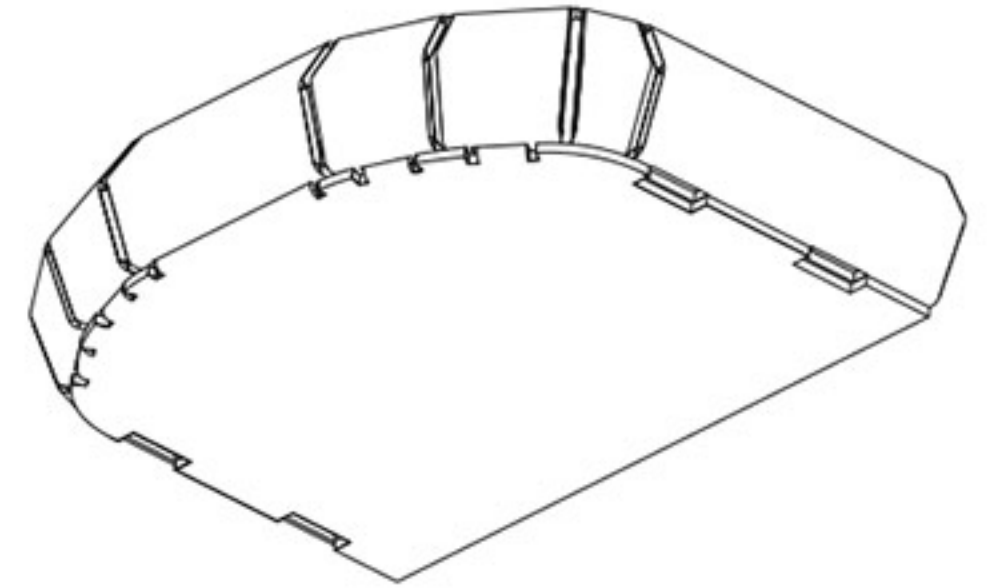
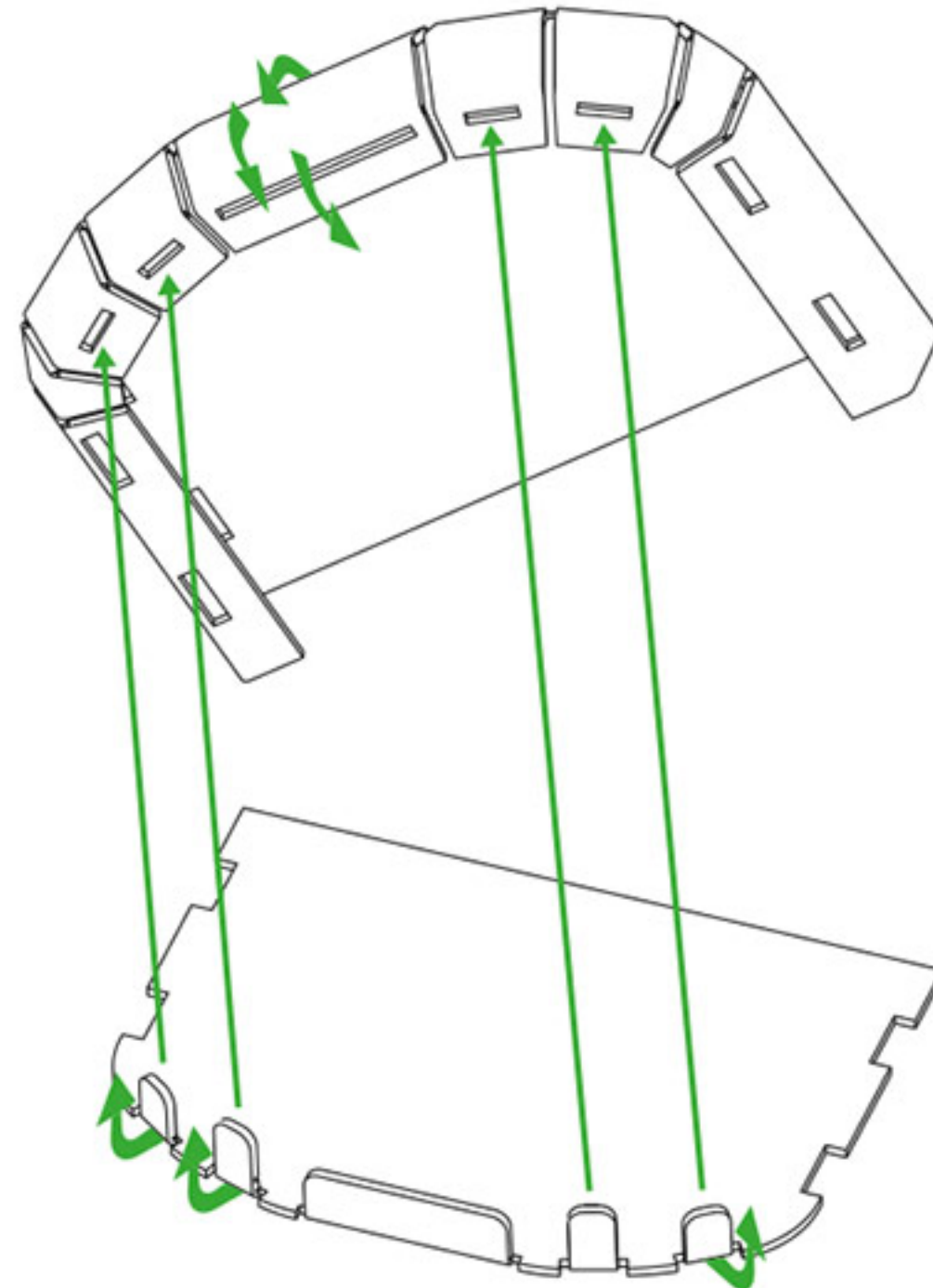
12



#1



#2

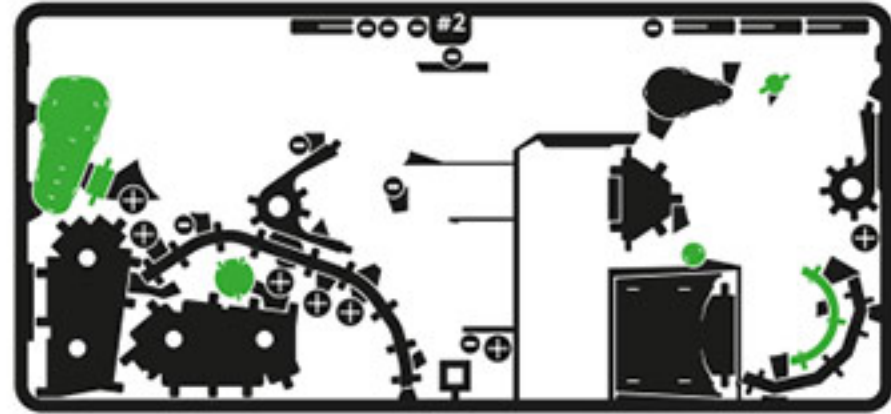


12

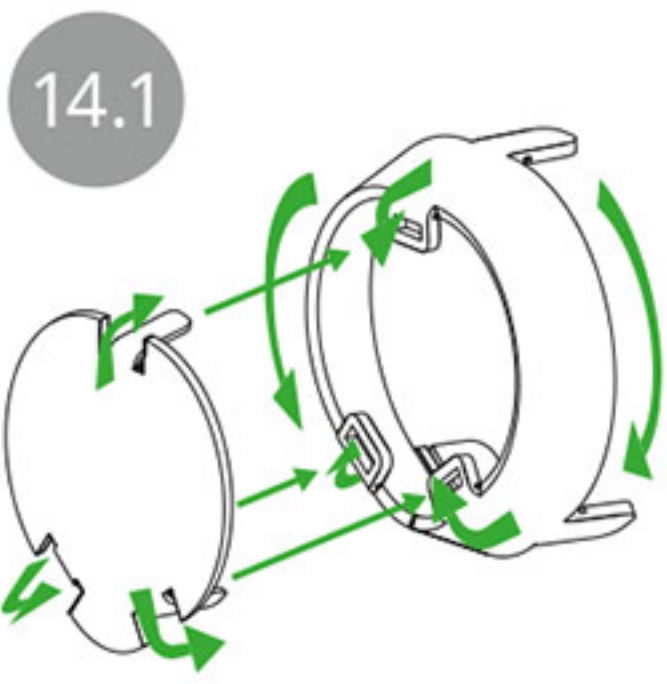
13



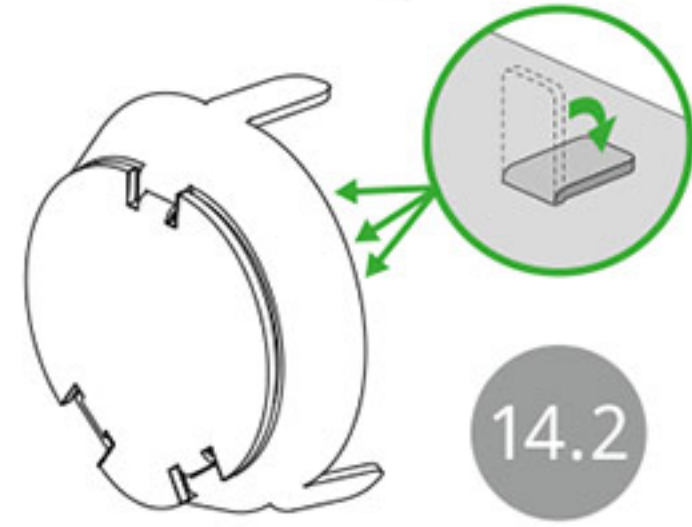
#1



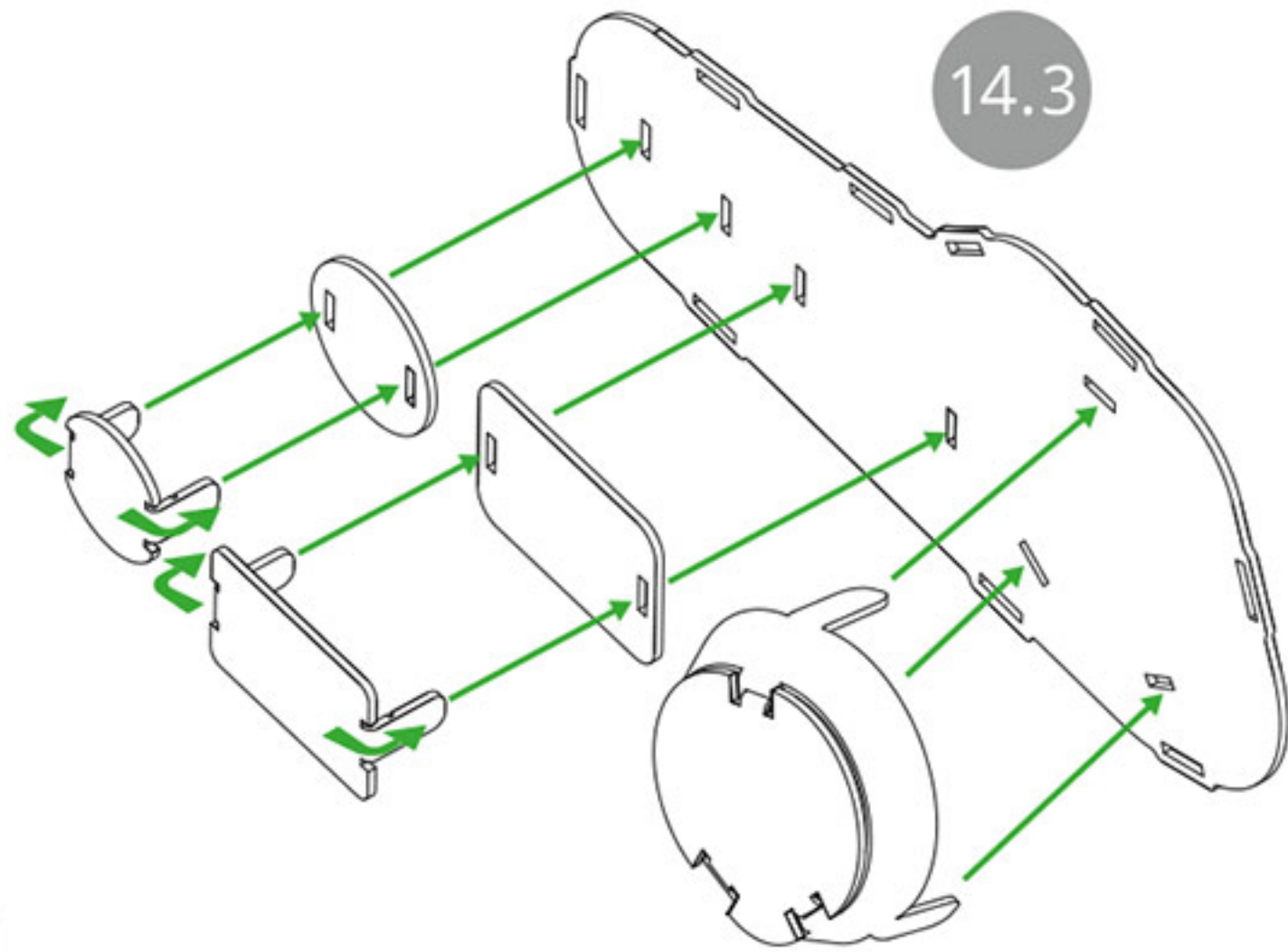
#2



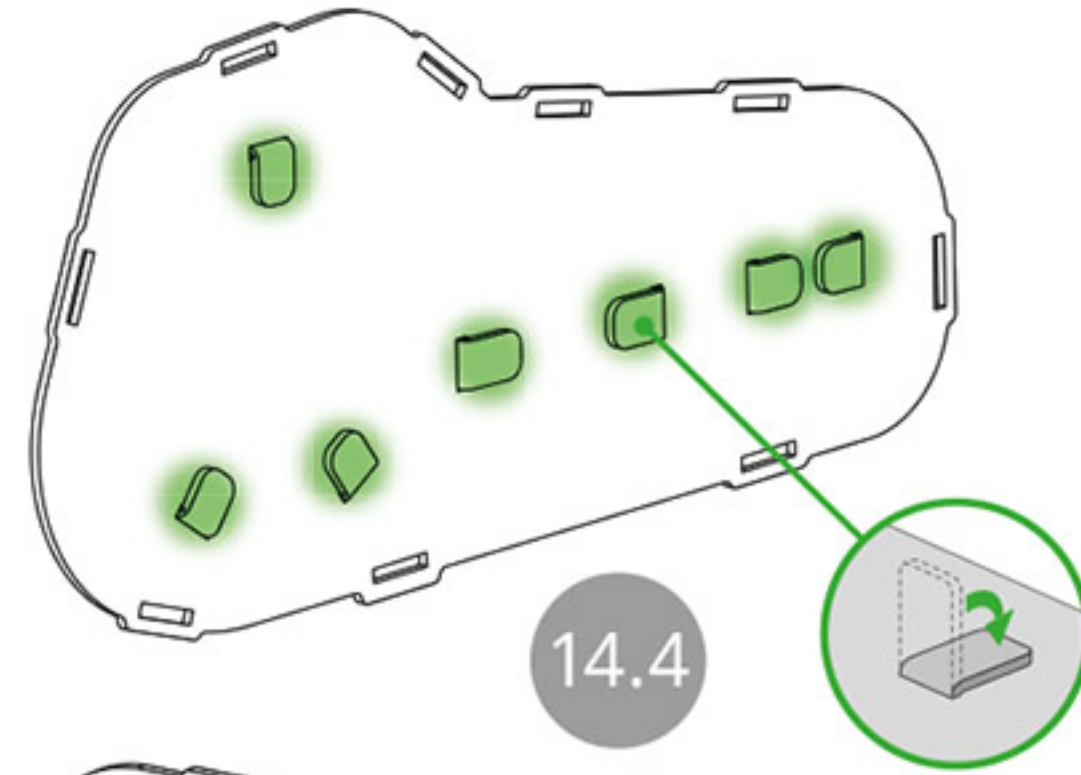
14.1



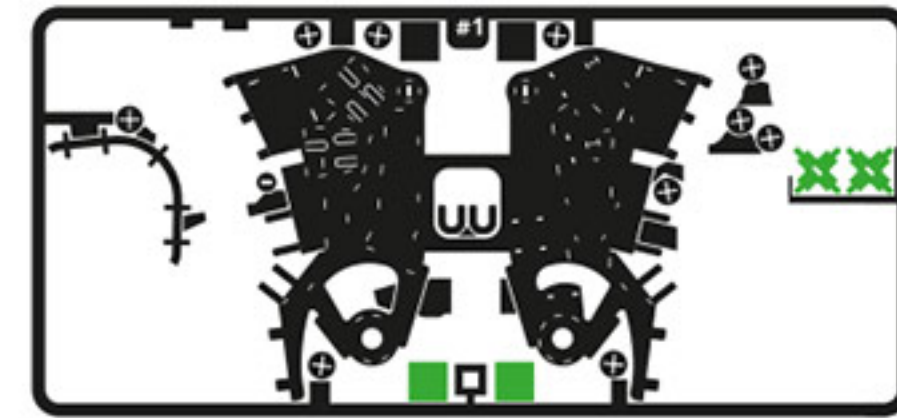
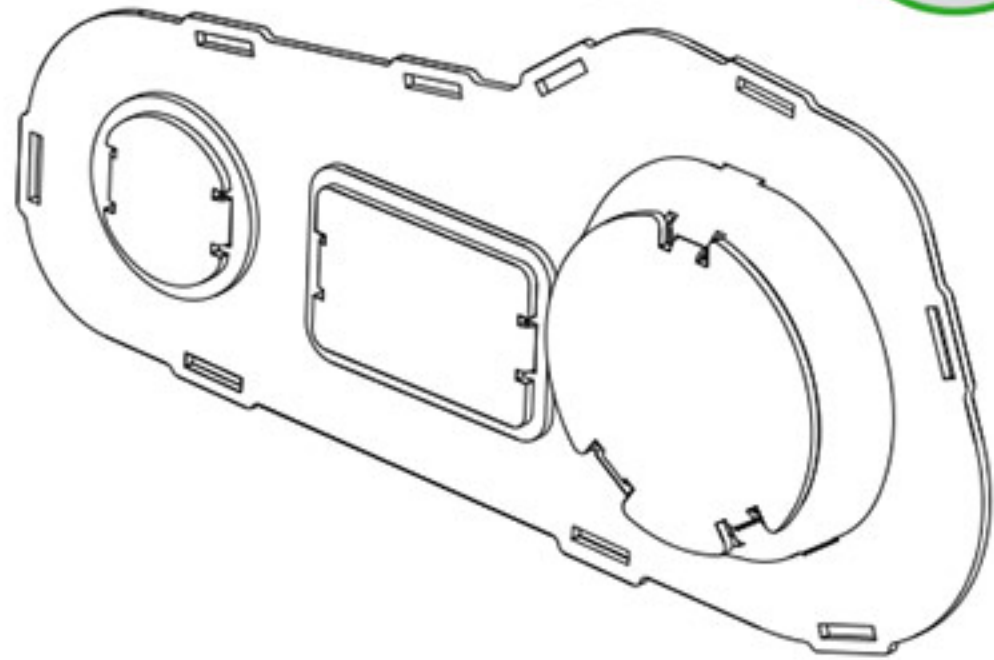
14.2



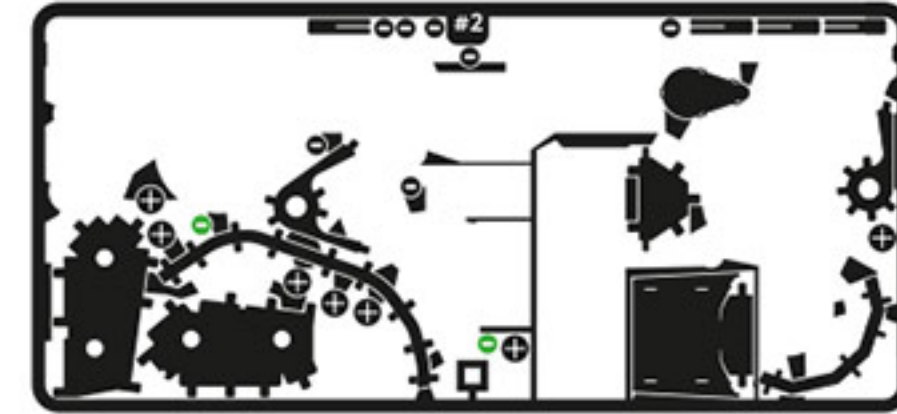
14.3



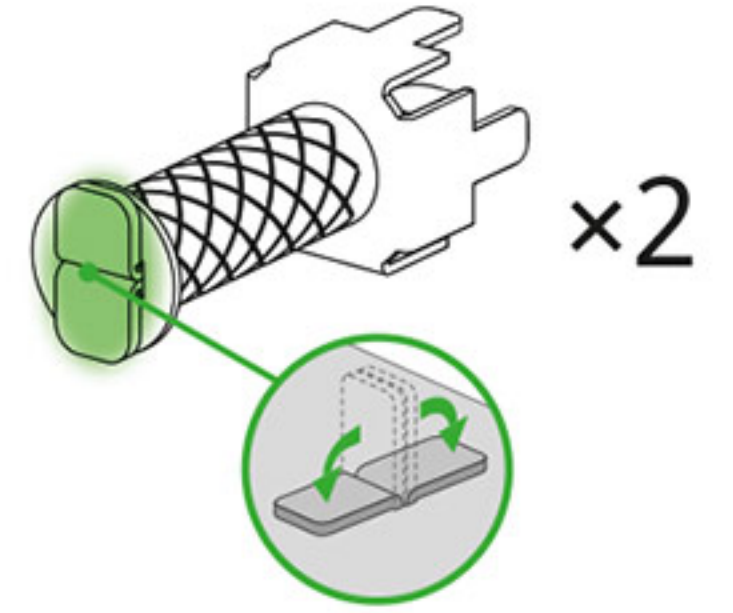
14.4



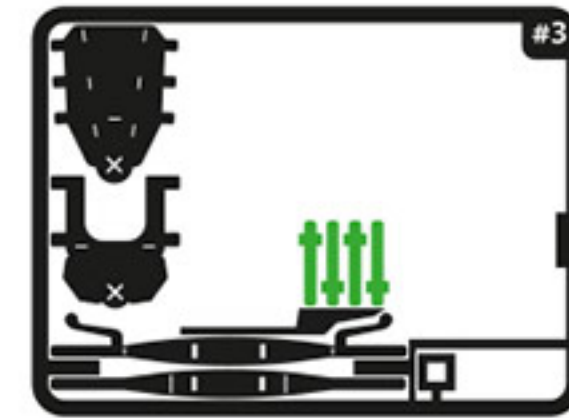
#1



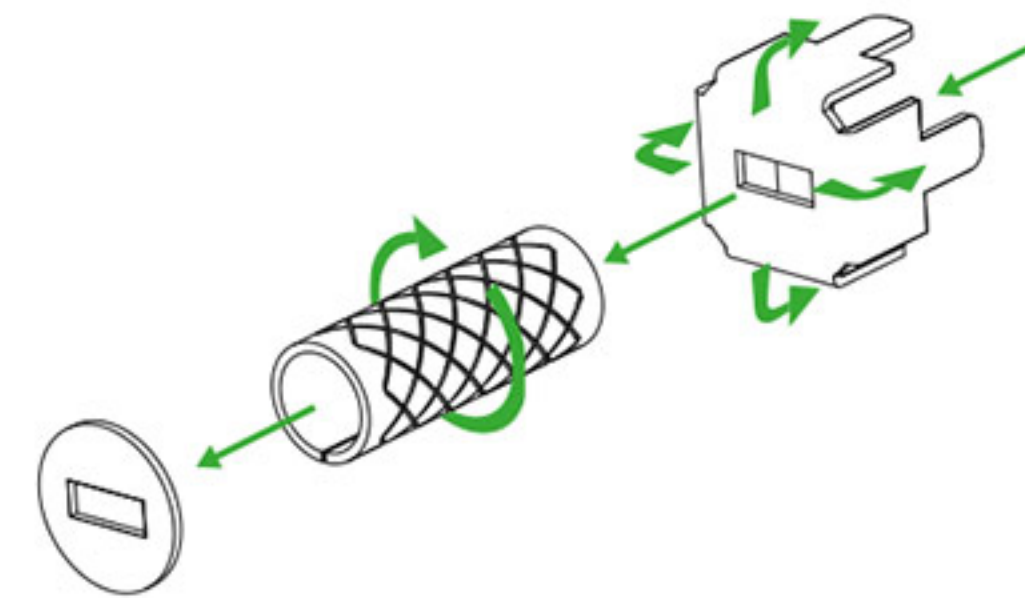
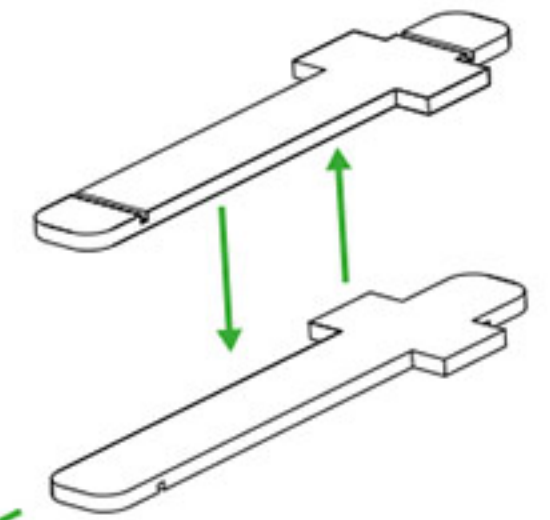
#2

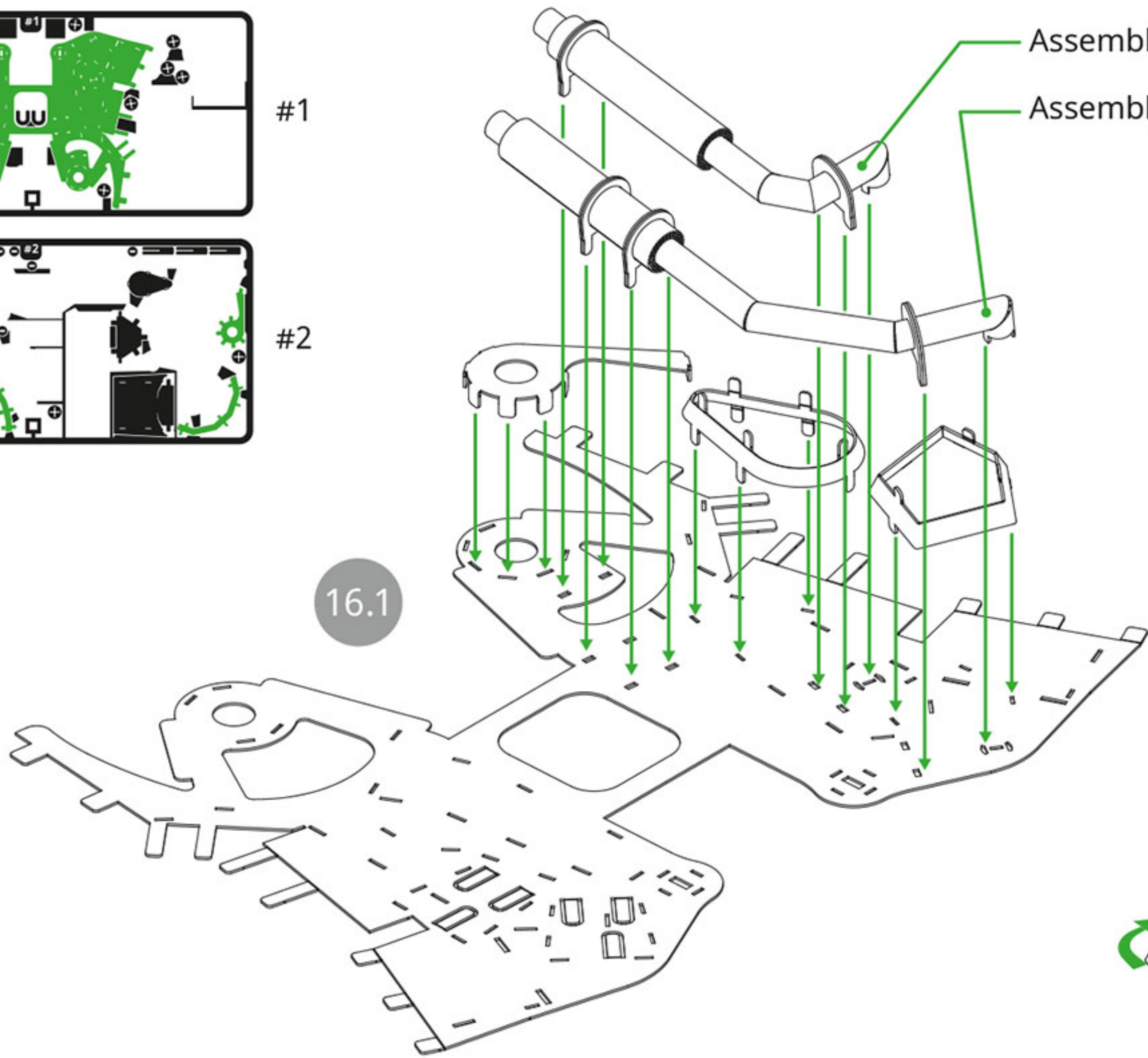
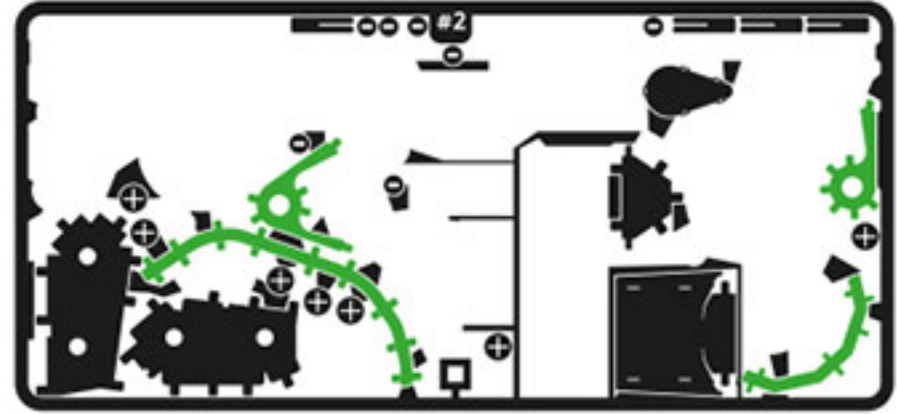
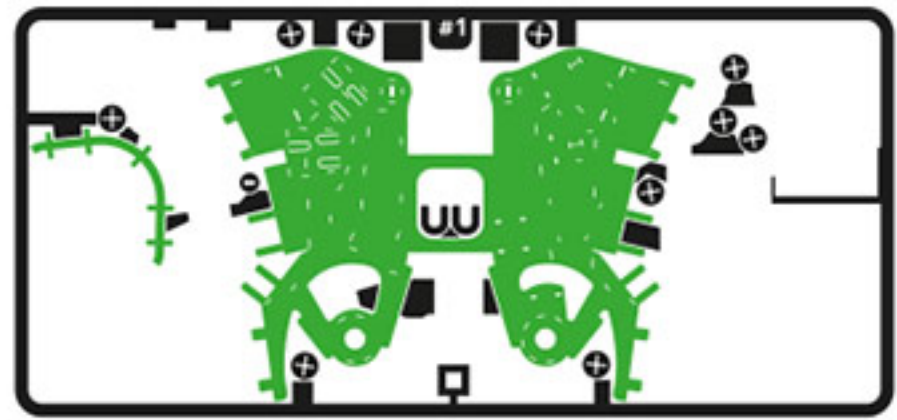


x2



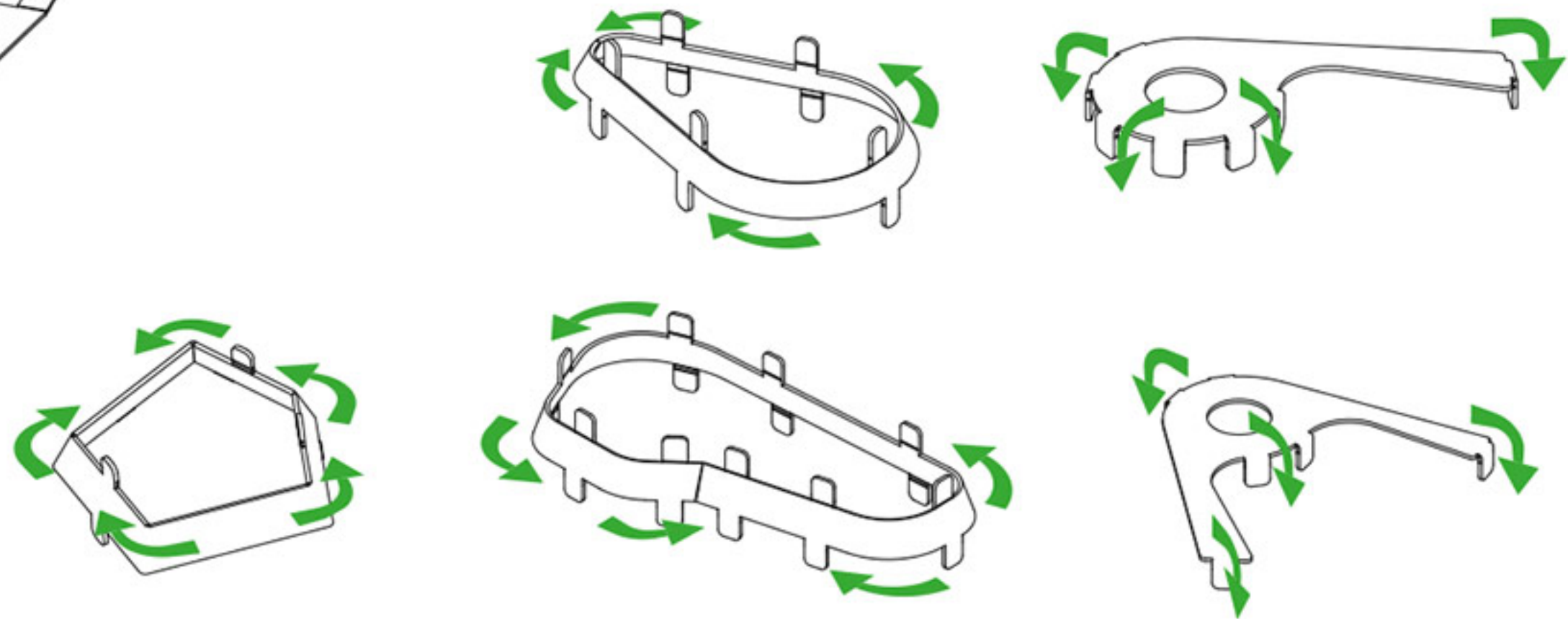
#3

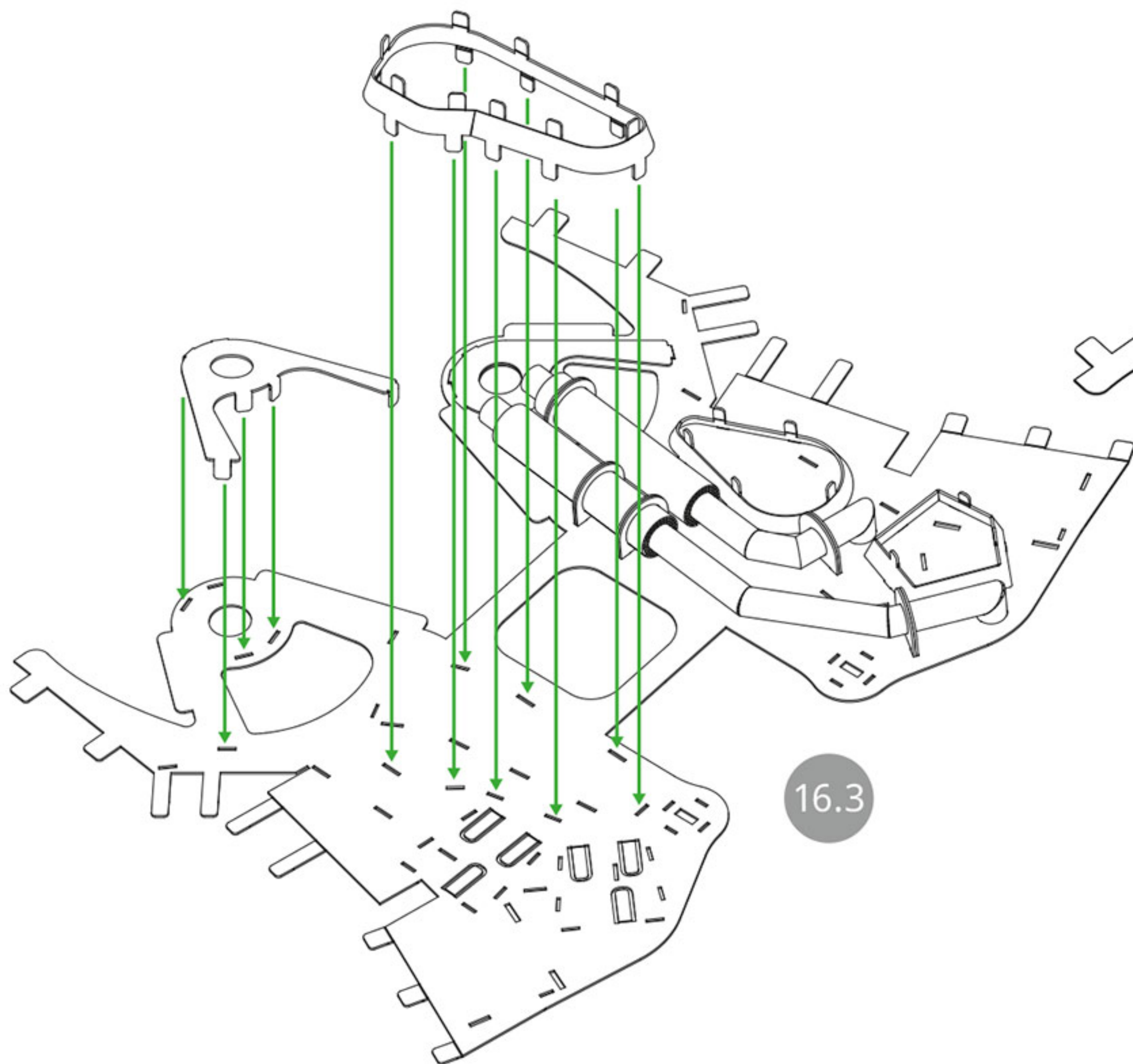




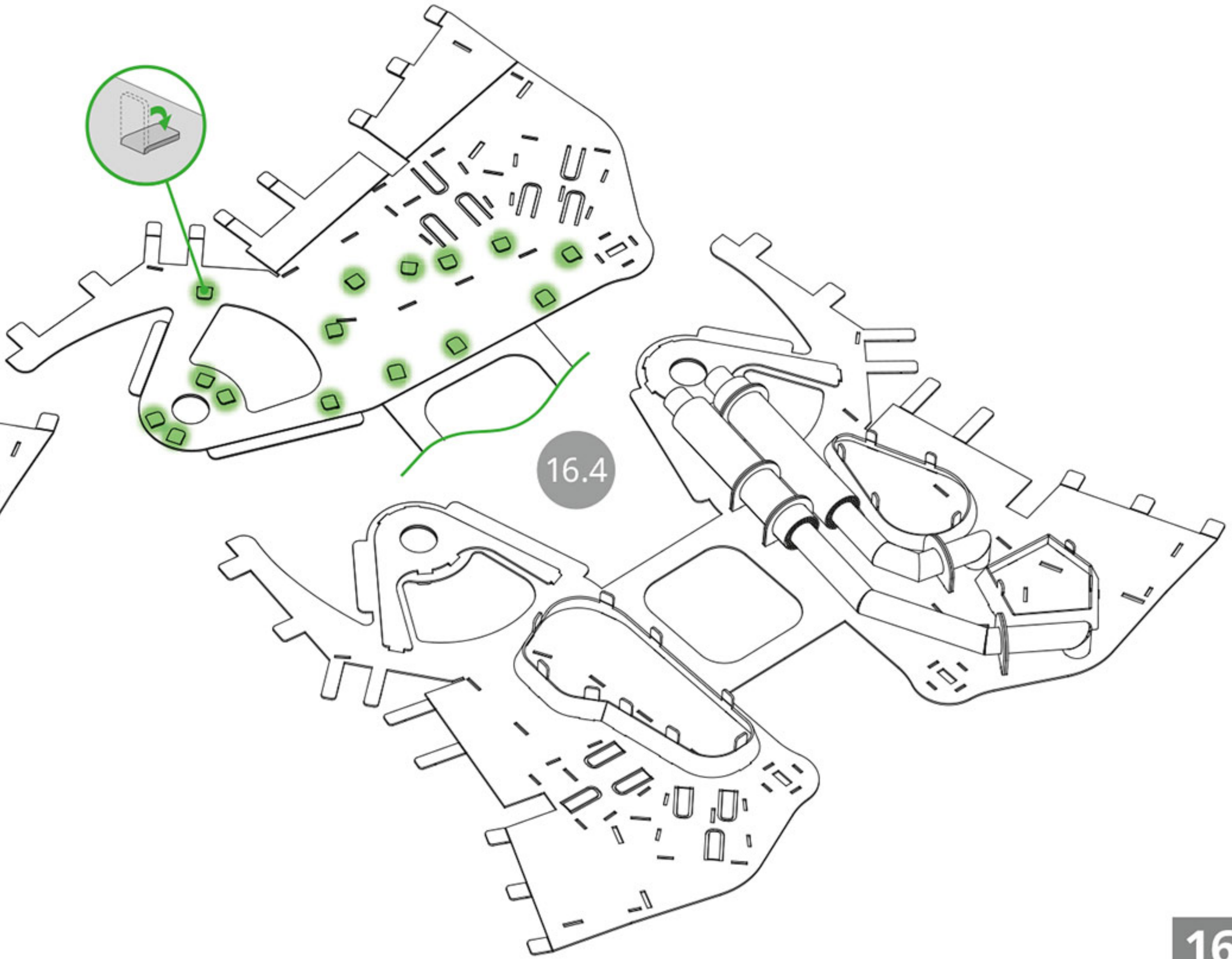
Assembly step 11

Assembly step 10

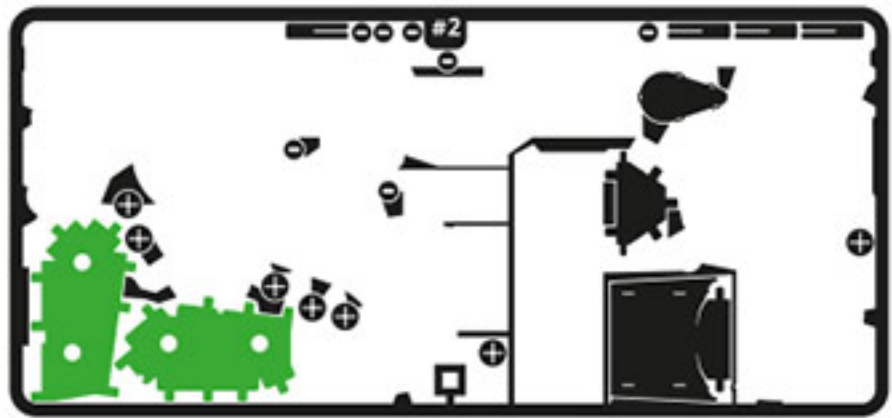




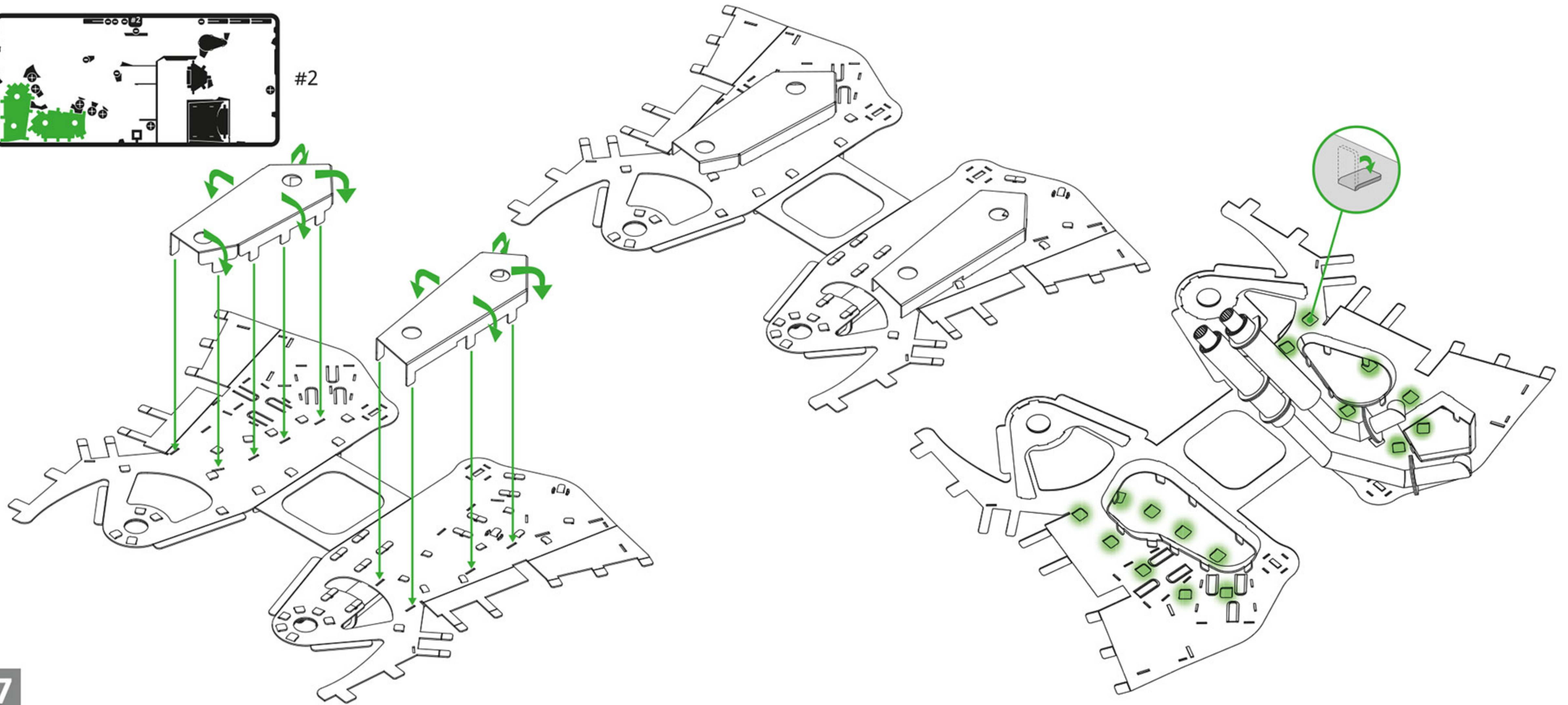
16.3

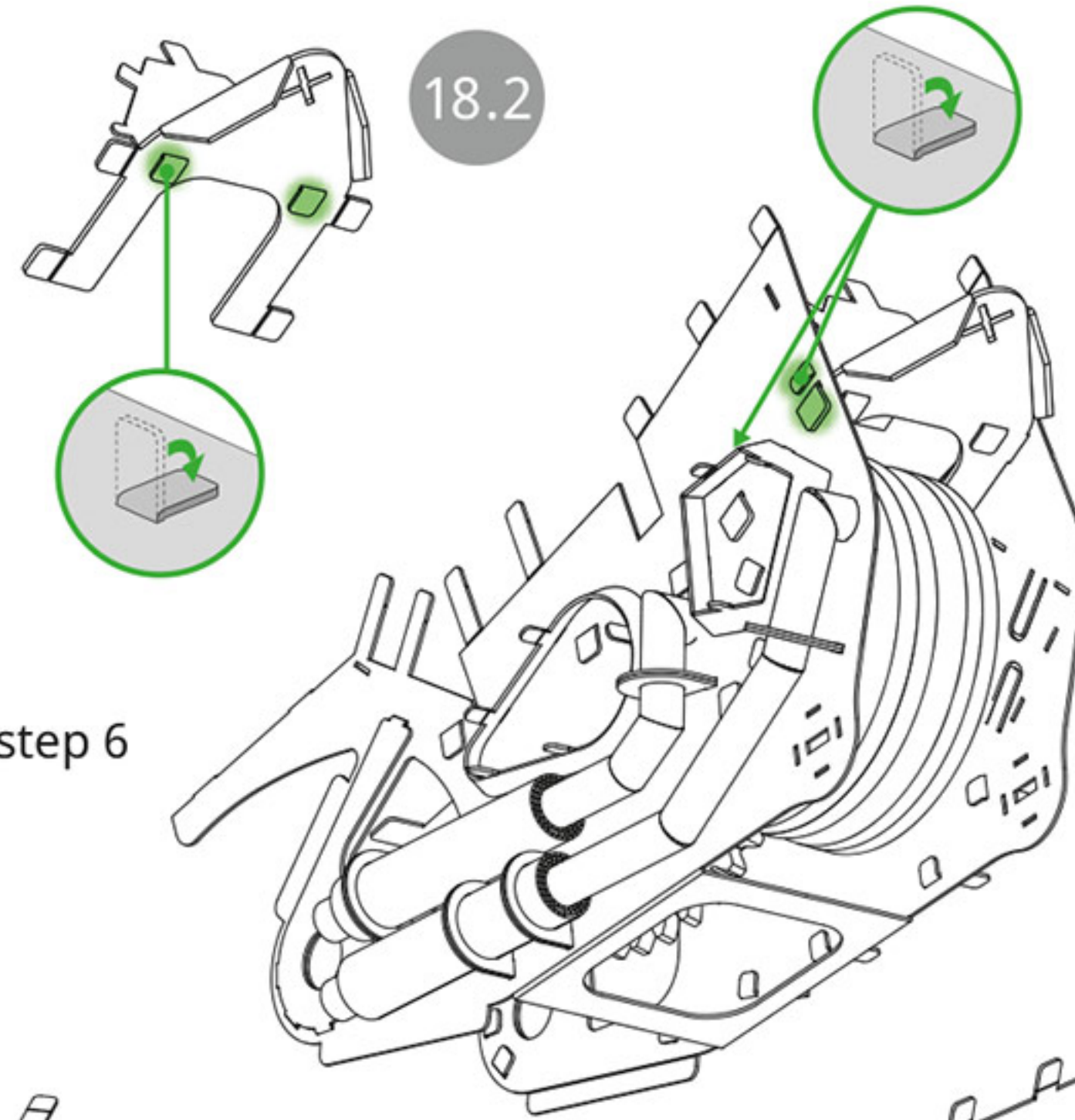
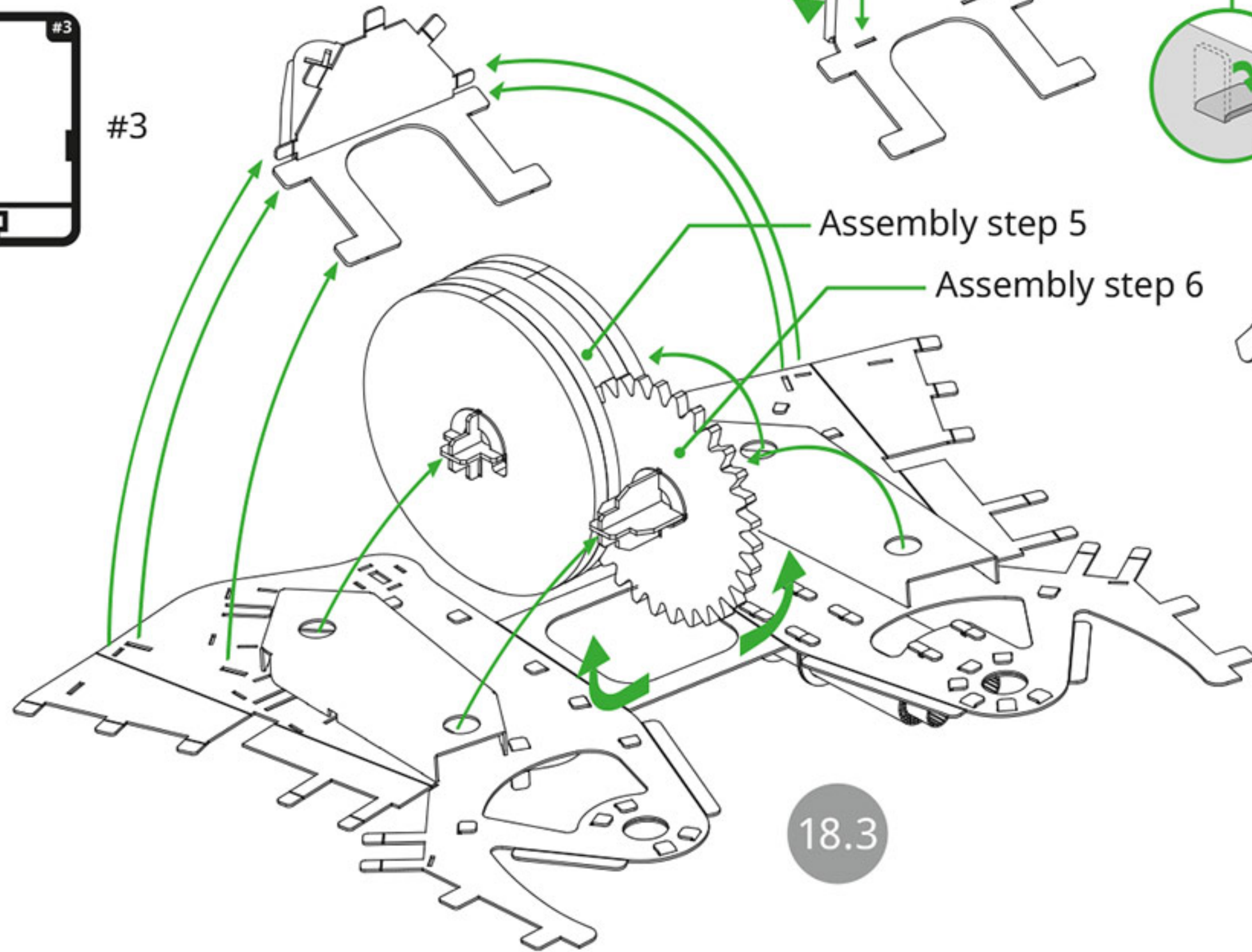
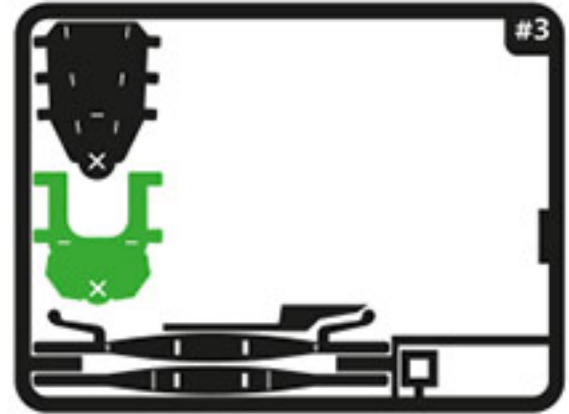
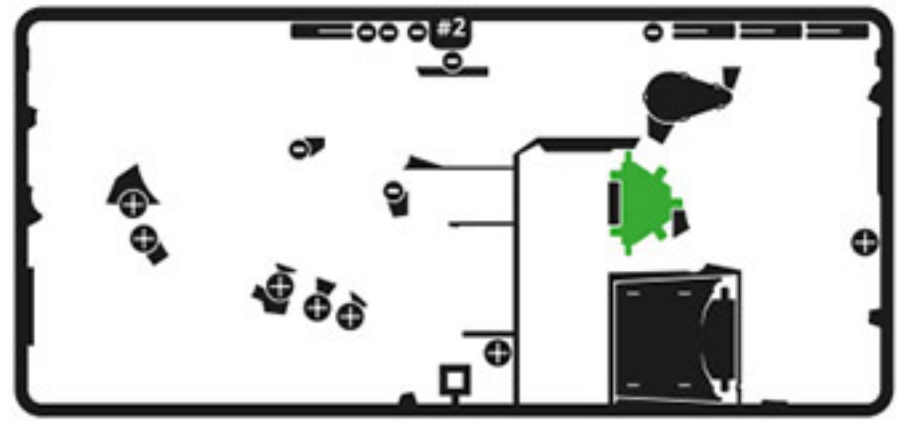


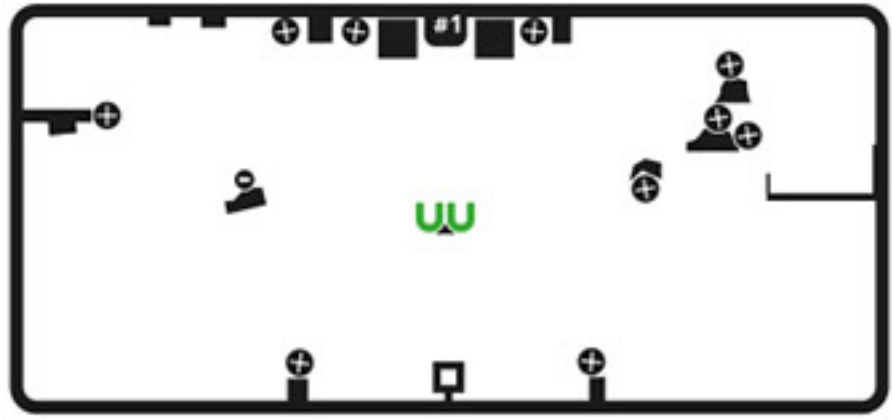
16.4



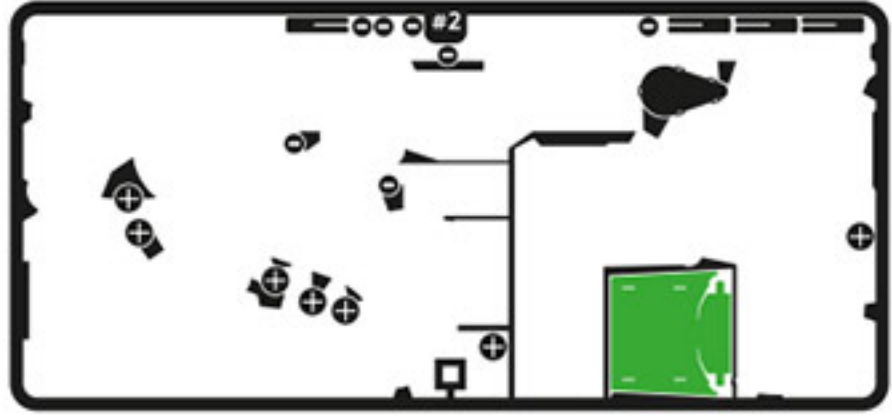
#2



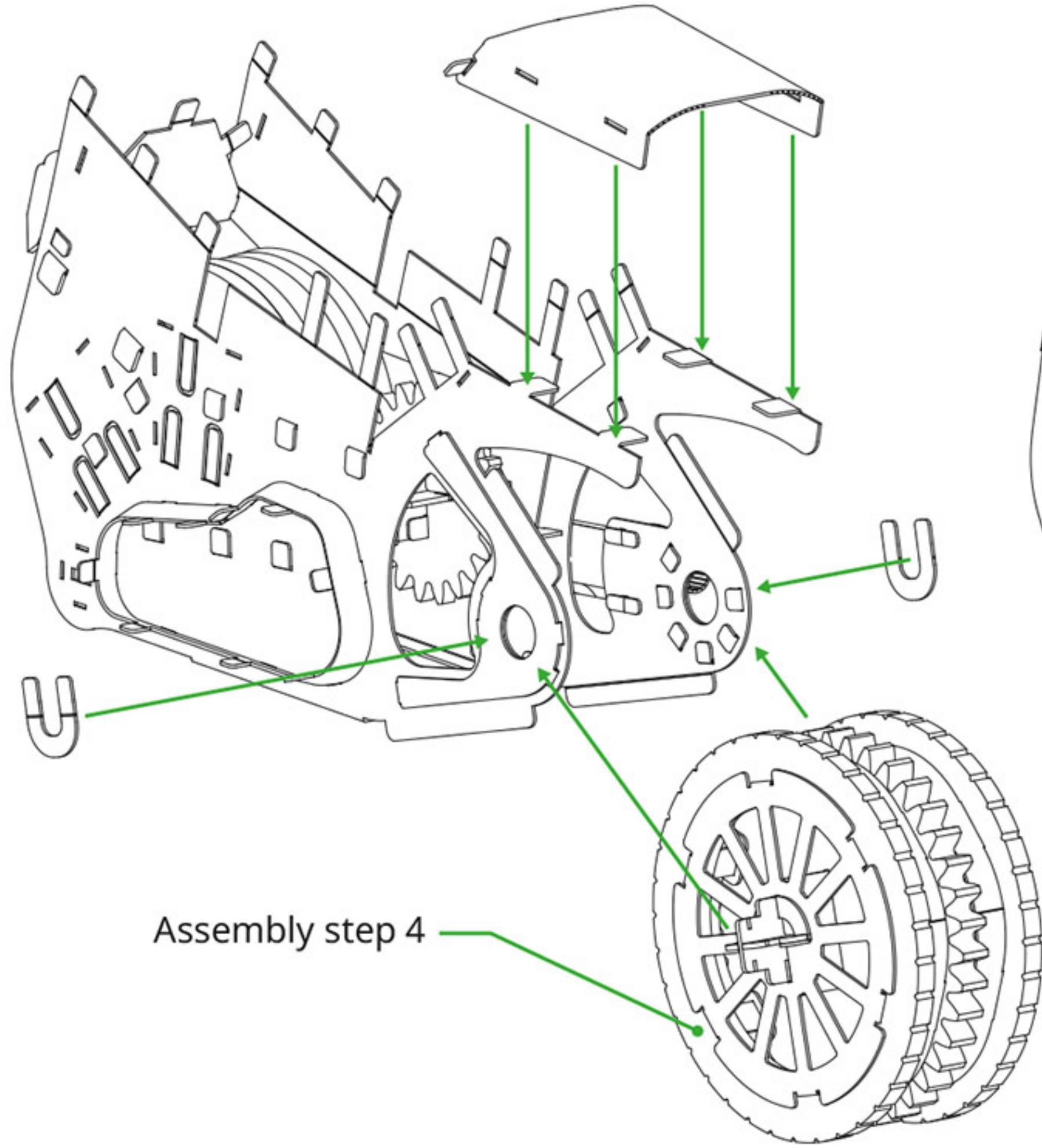
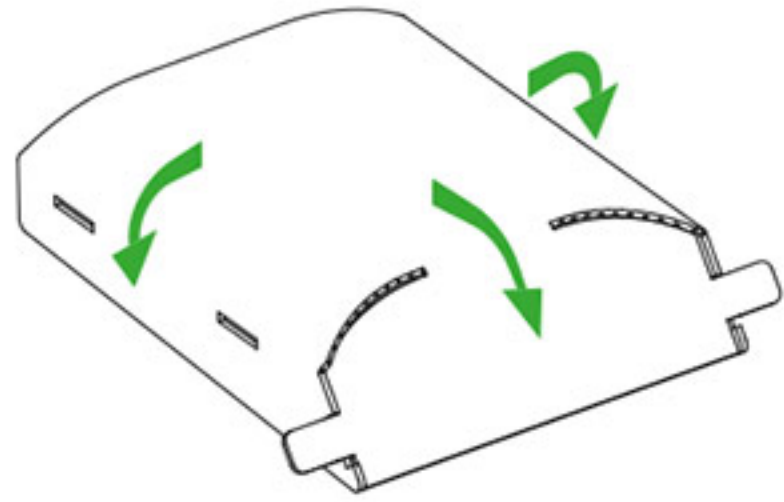




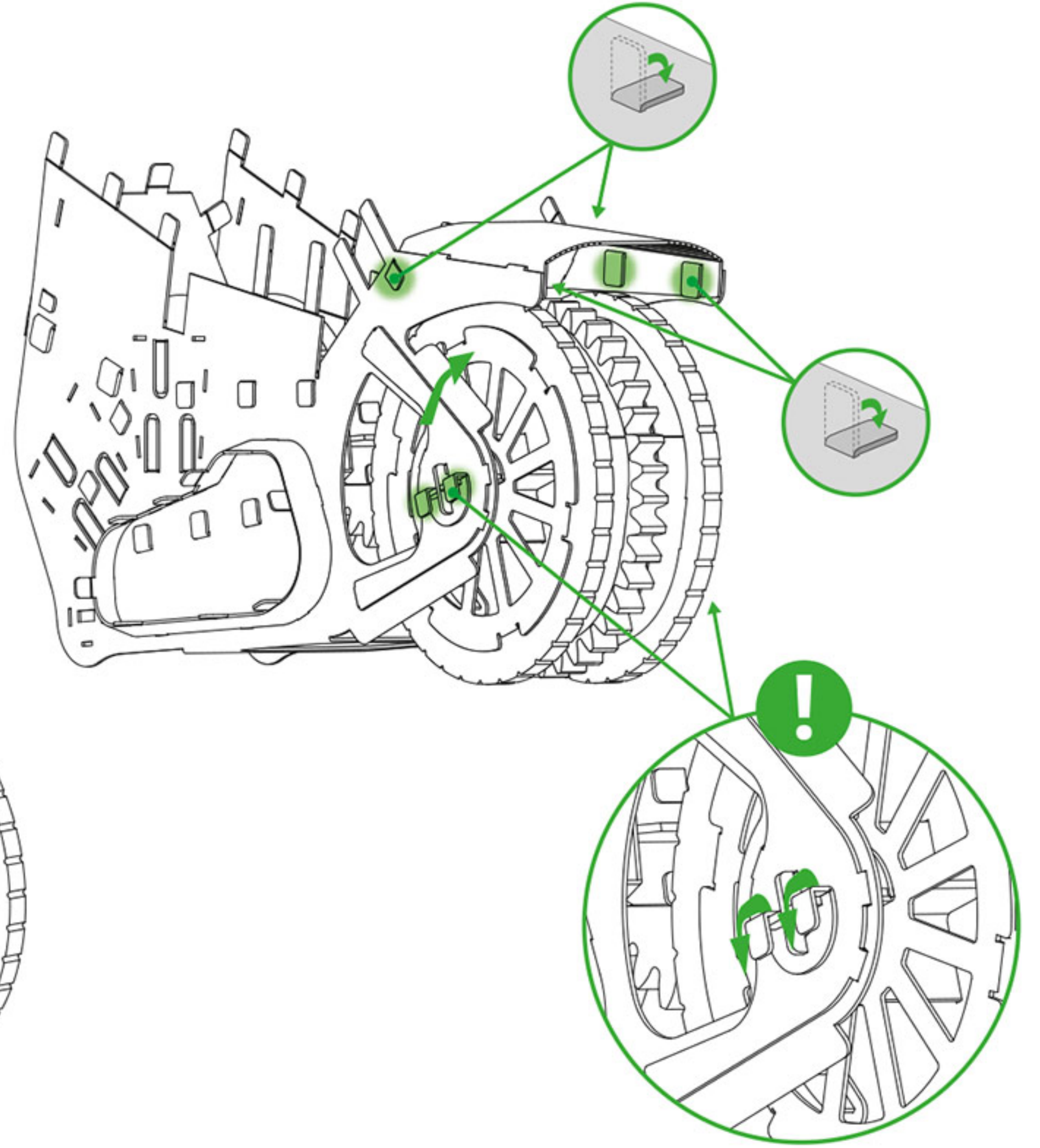
#1

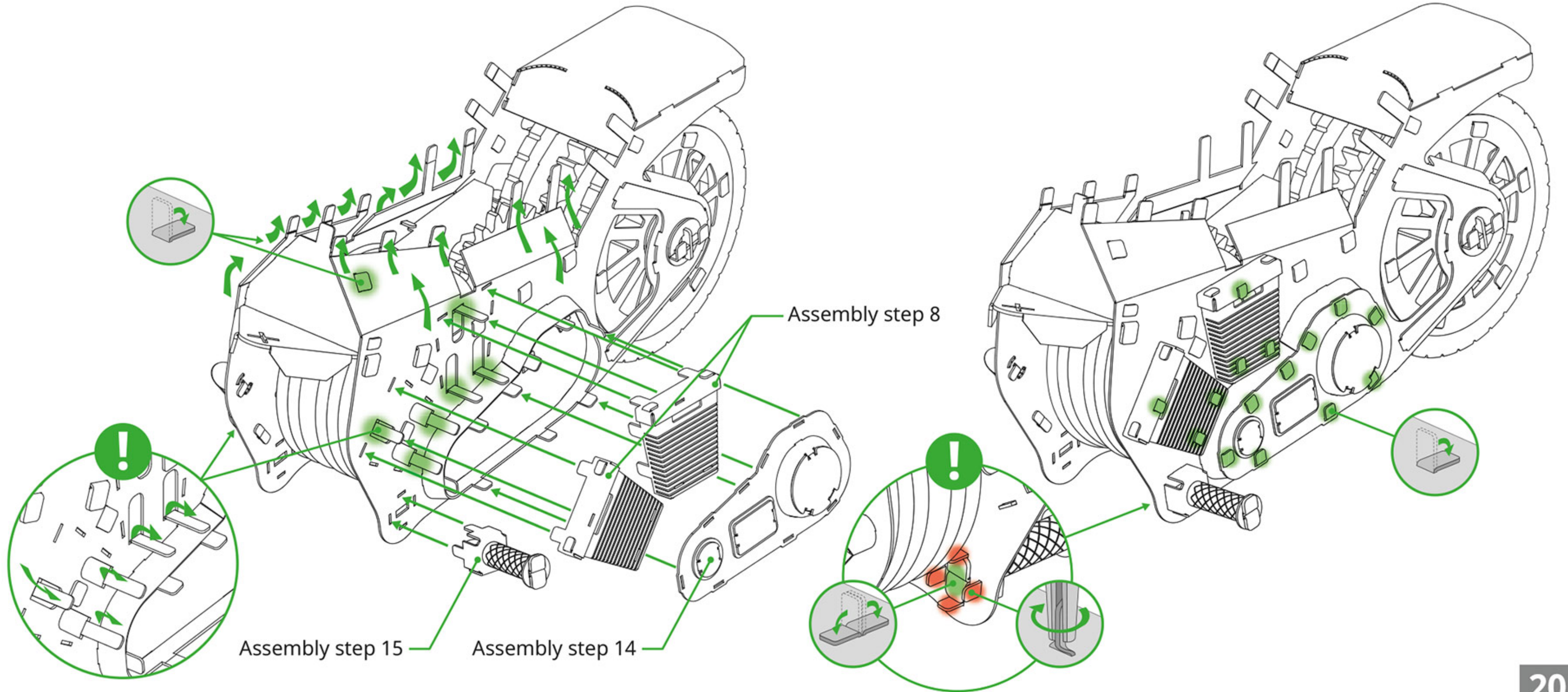


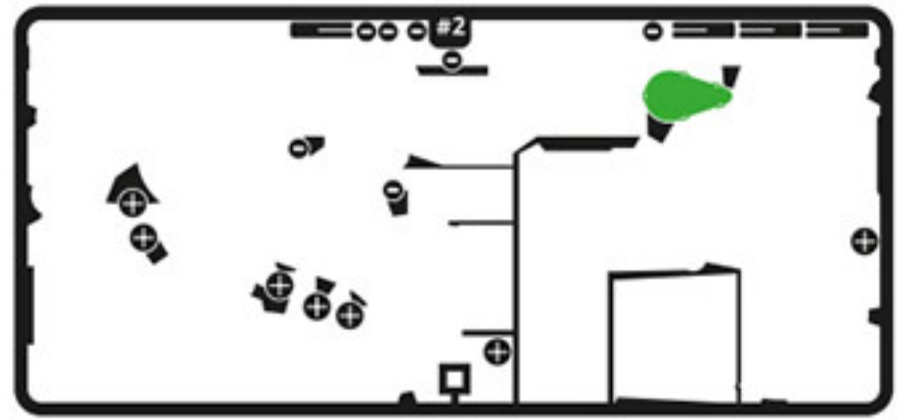
#2



Assembly step 4





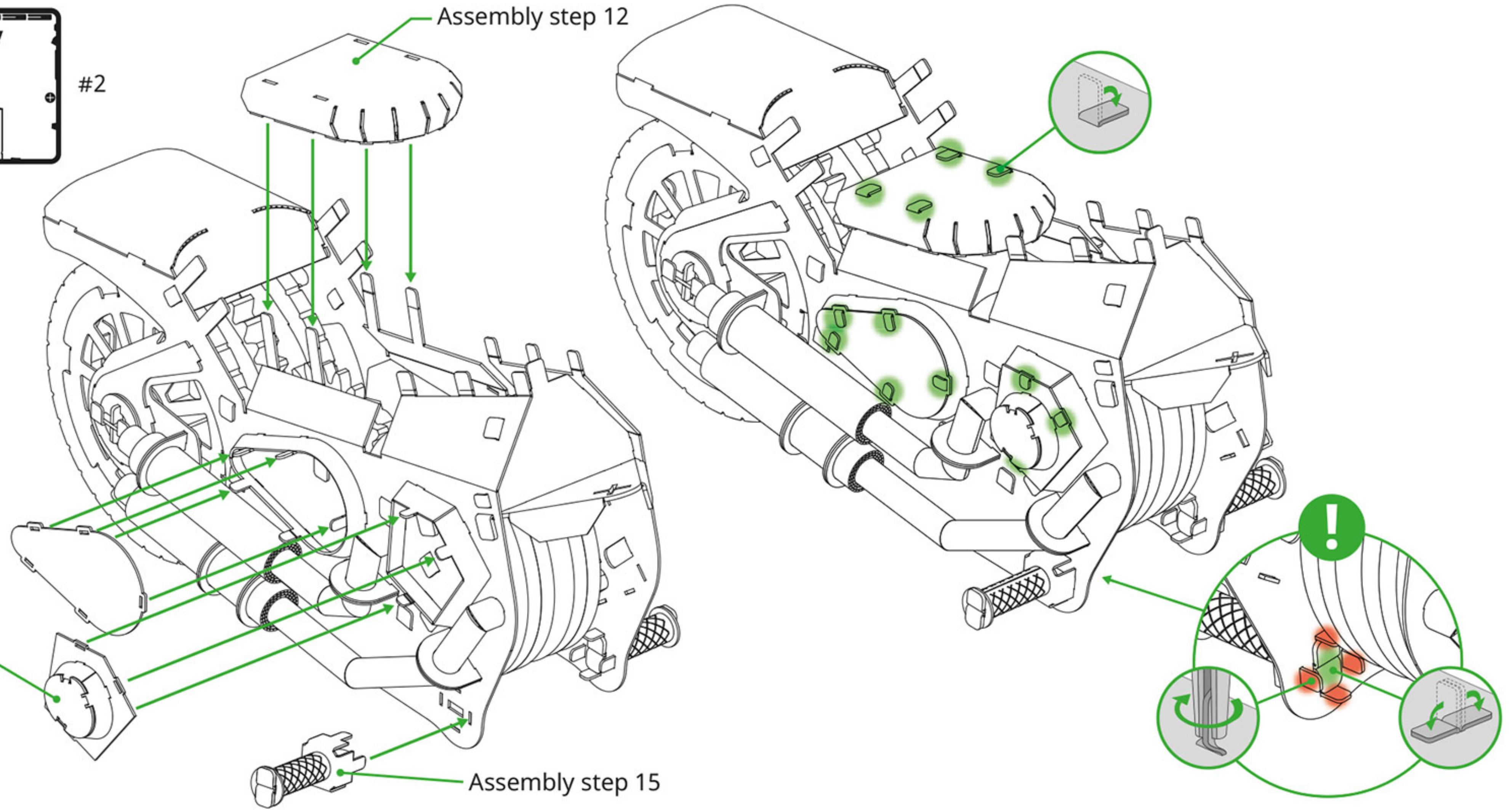


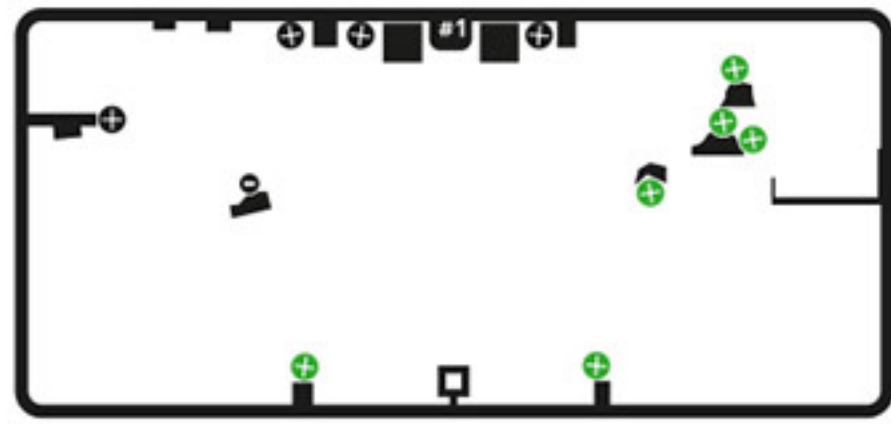
#2

Assembly step 12

Assembly step 9

Assembly step 15

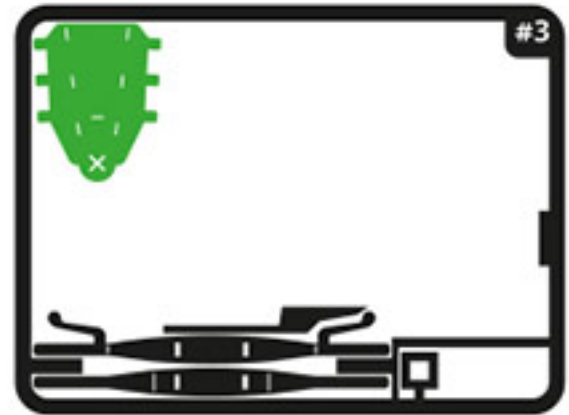




#1

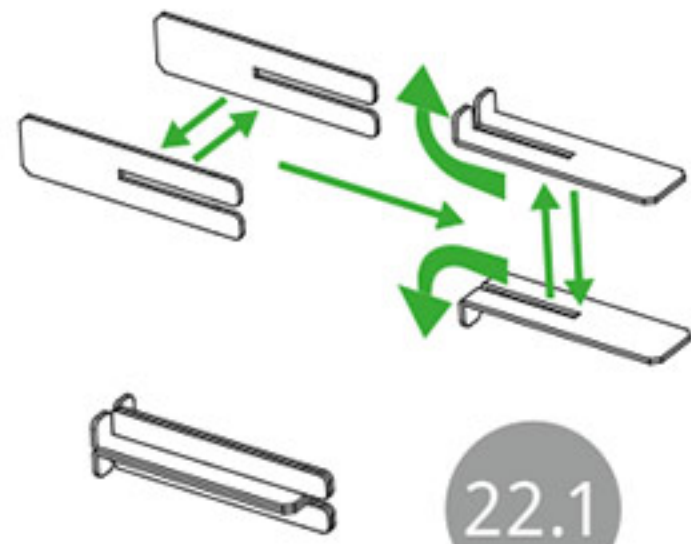


#2

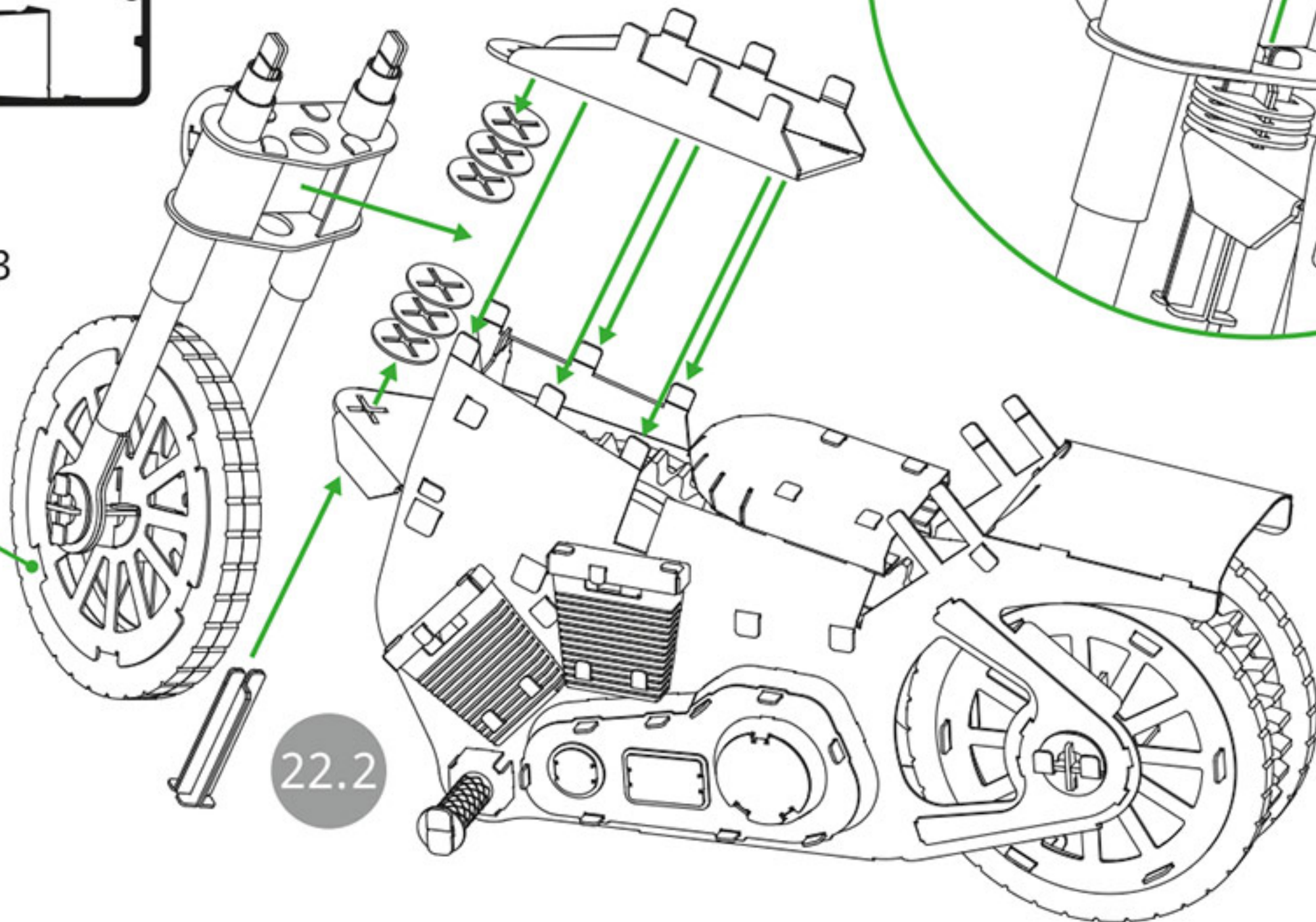
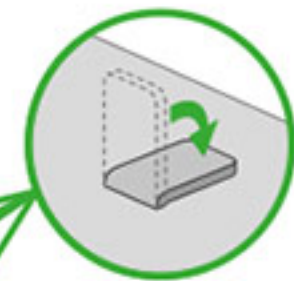
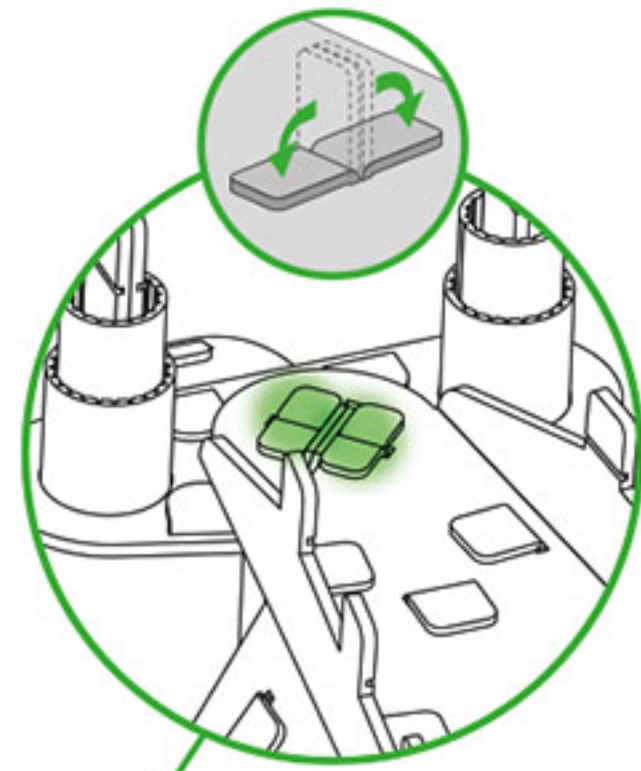
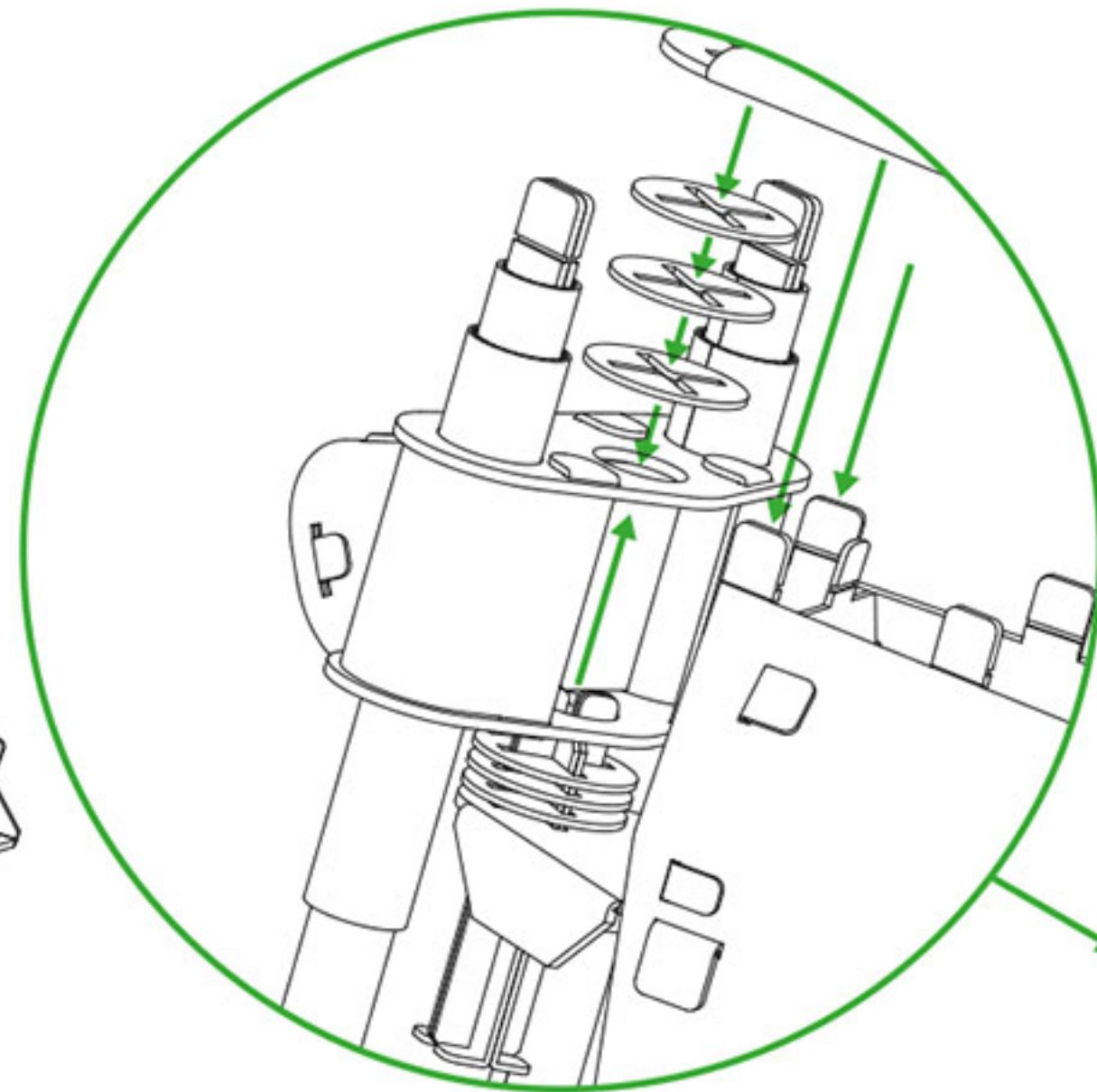


#3

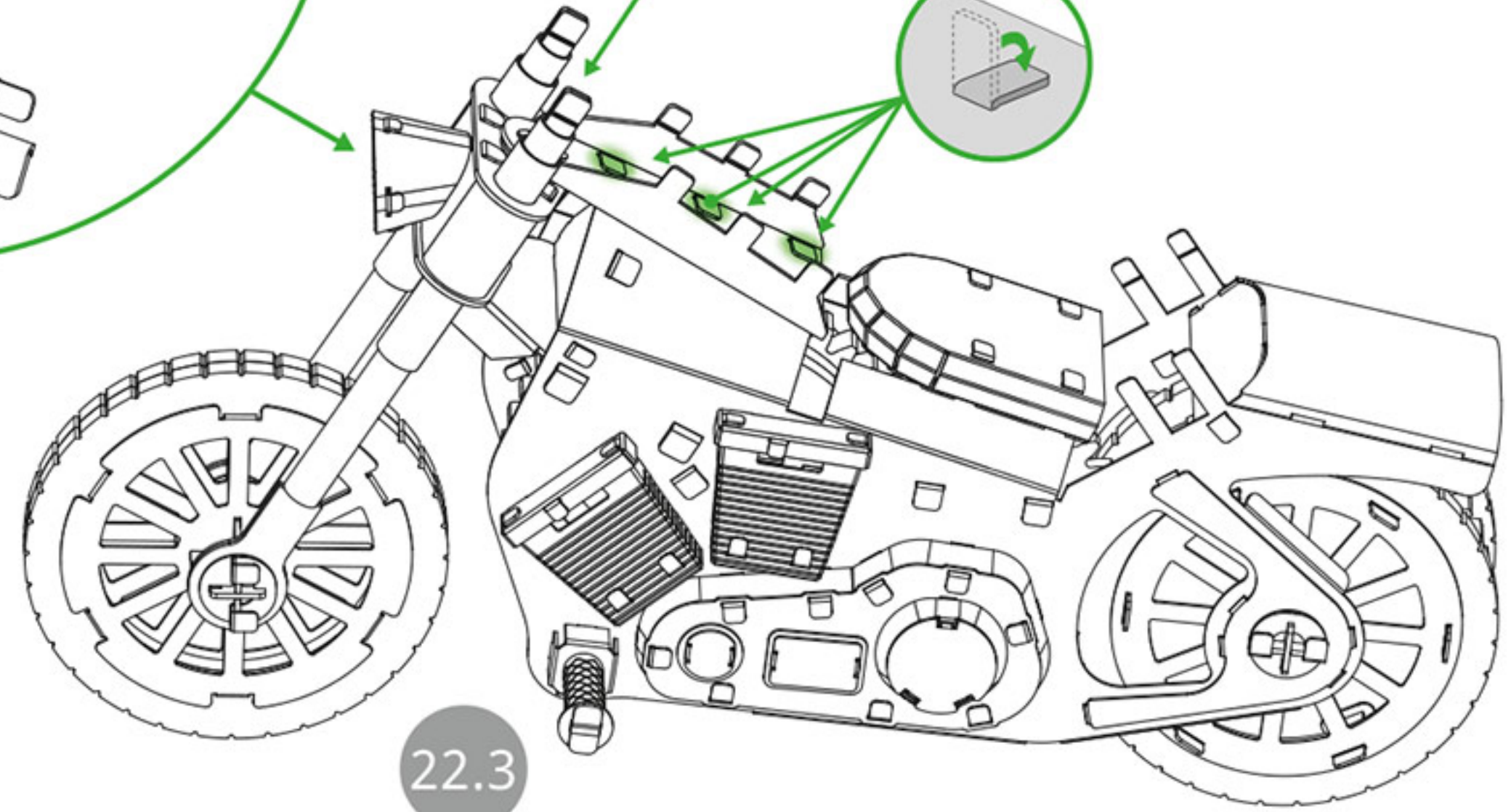
Assembly step 3



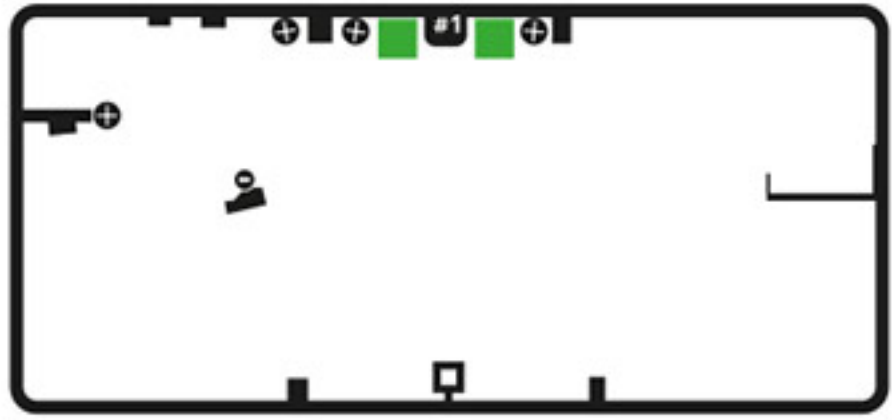
22.1



22.2



22.3



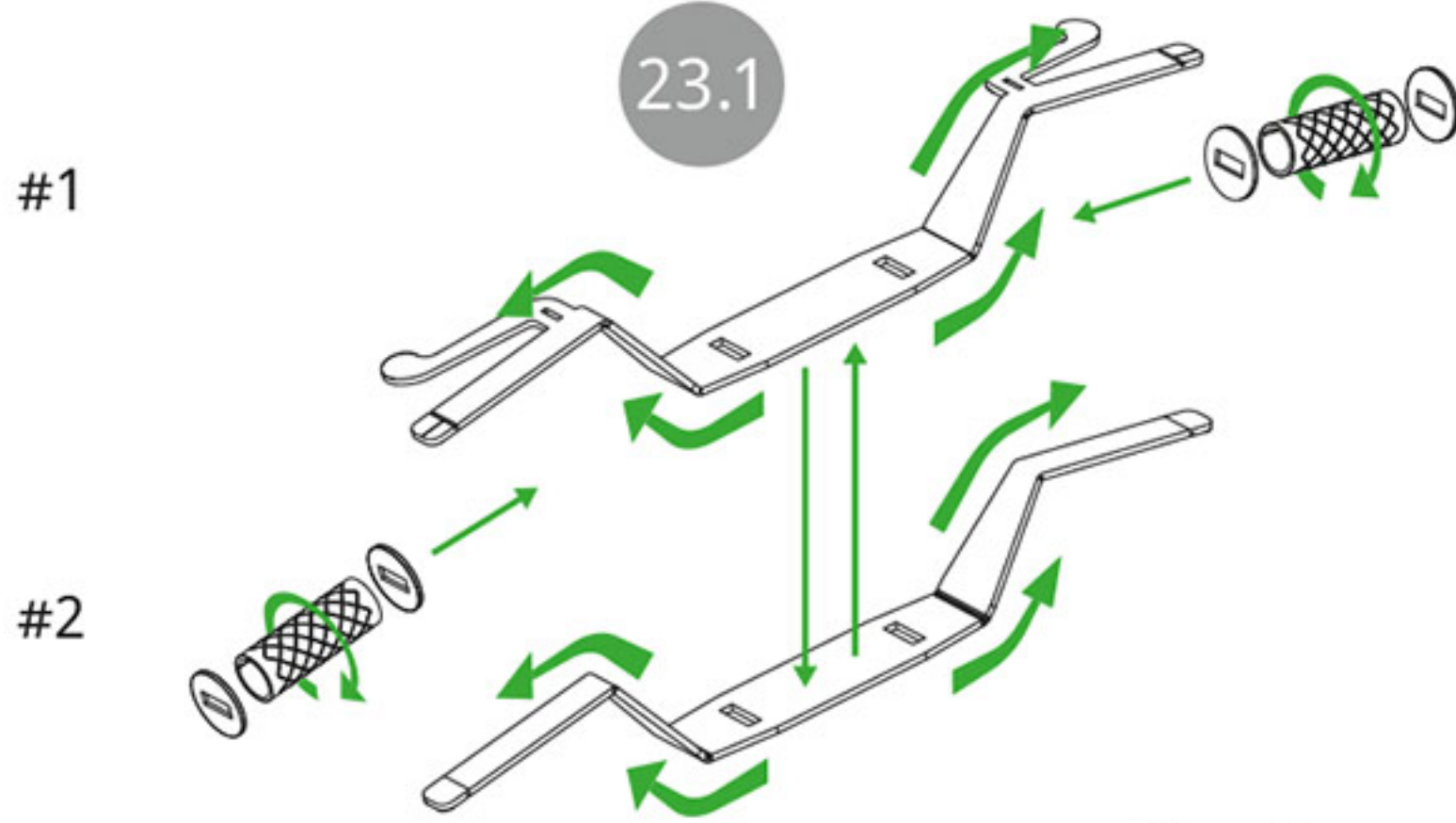
#1



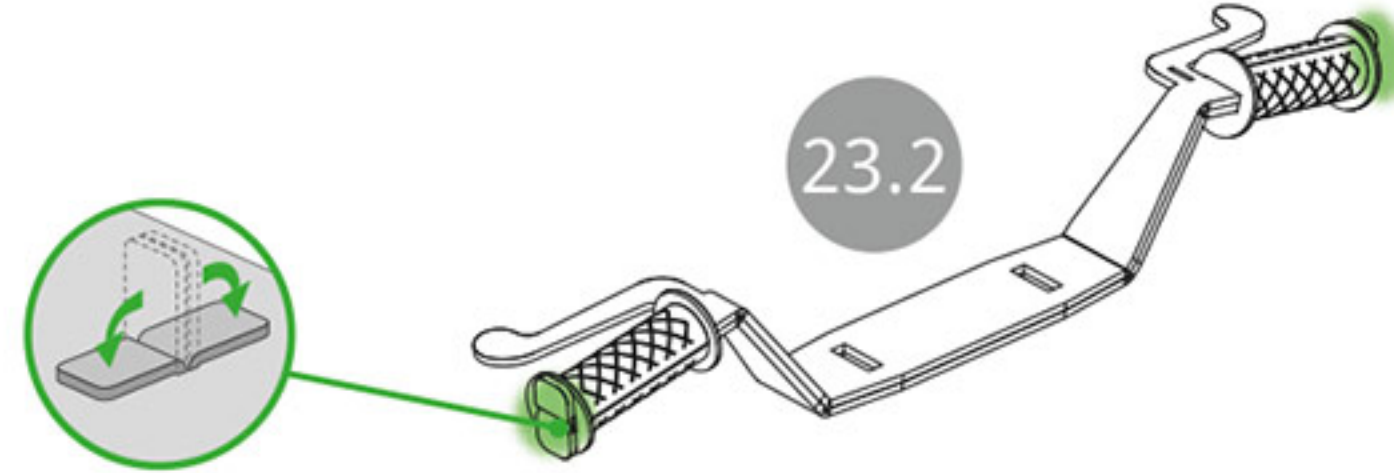
#2



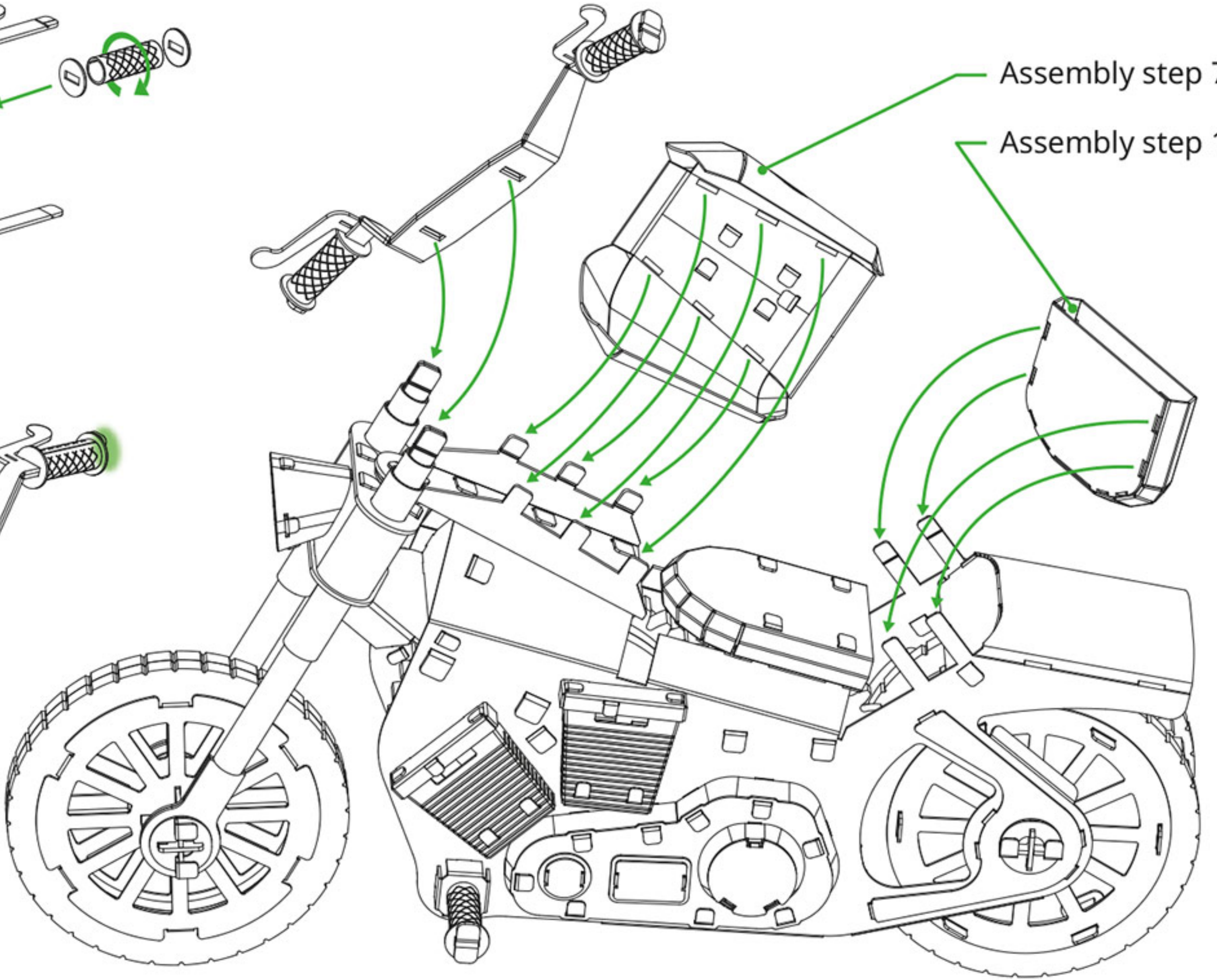
#3



23.1



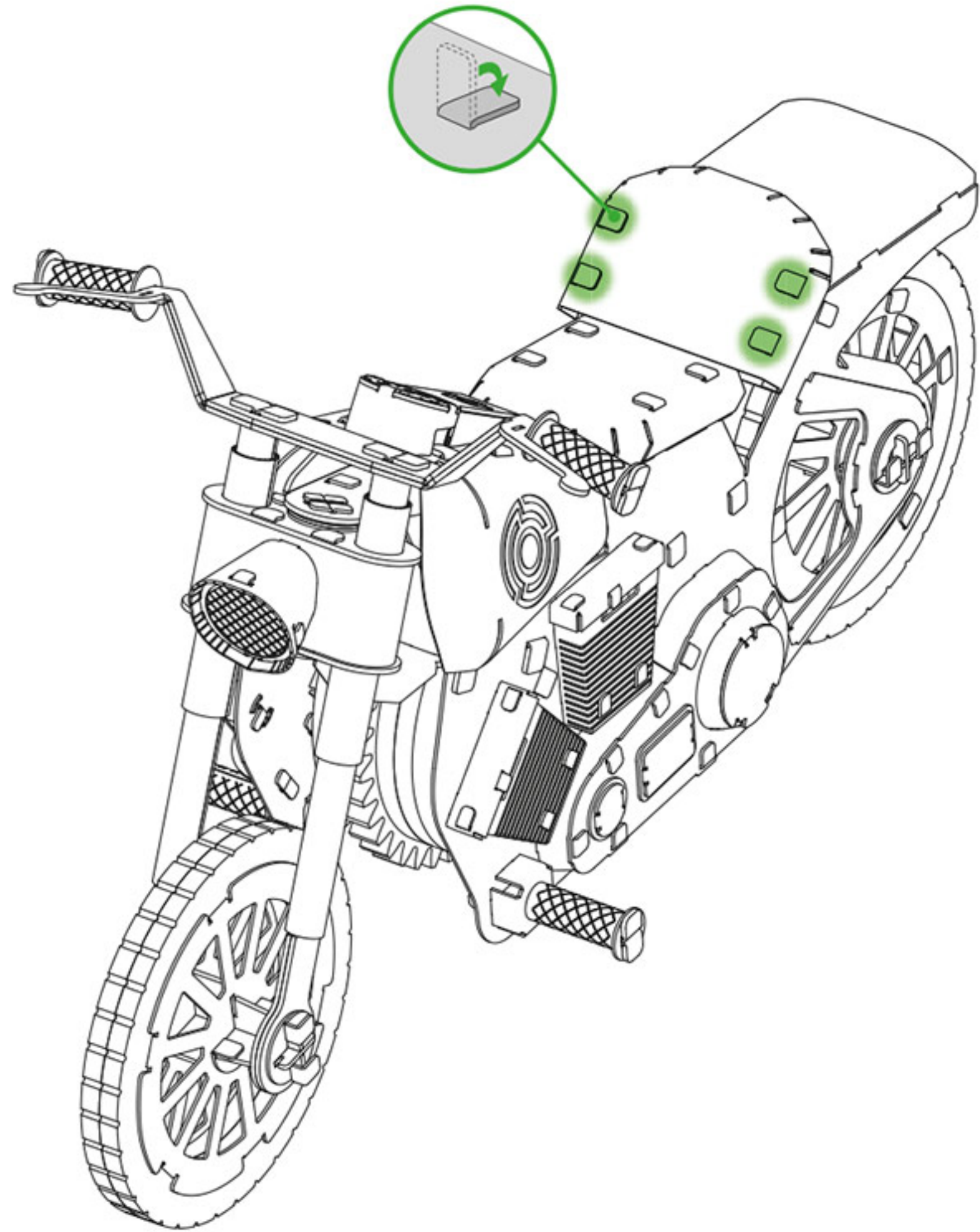
23.2



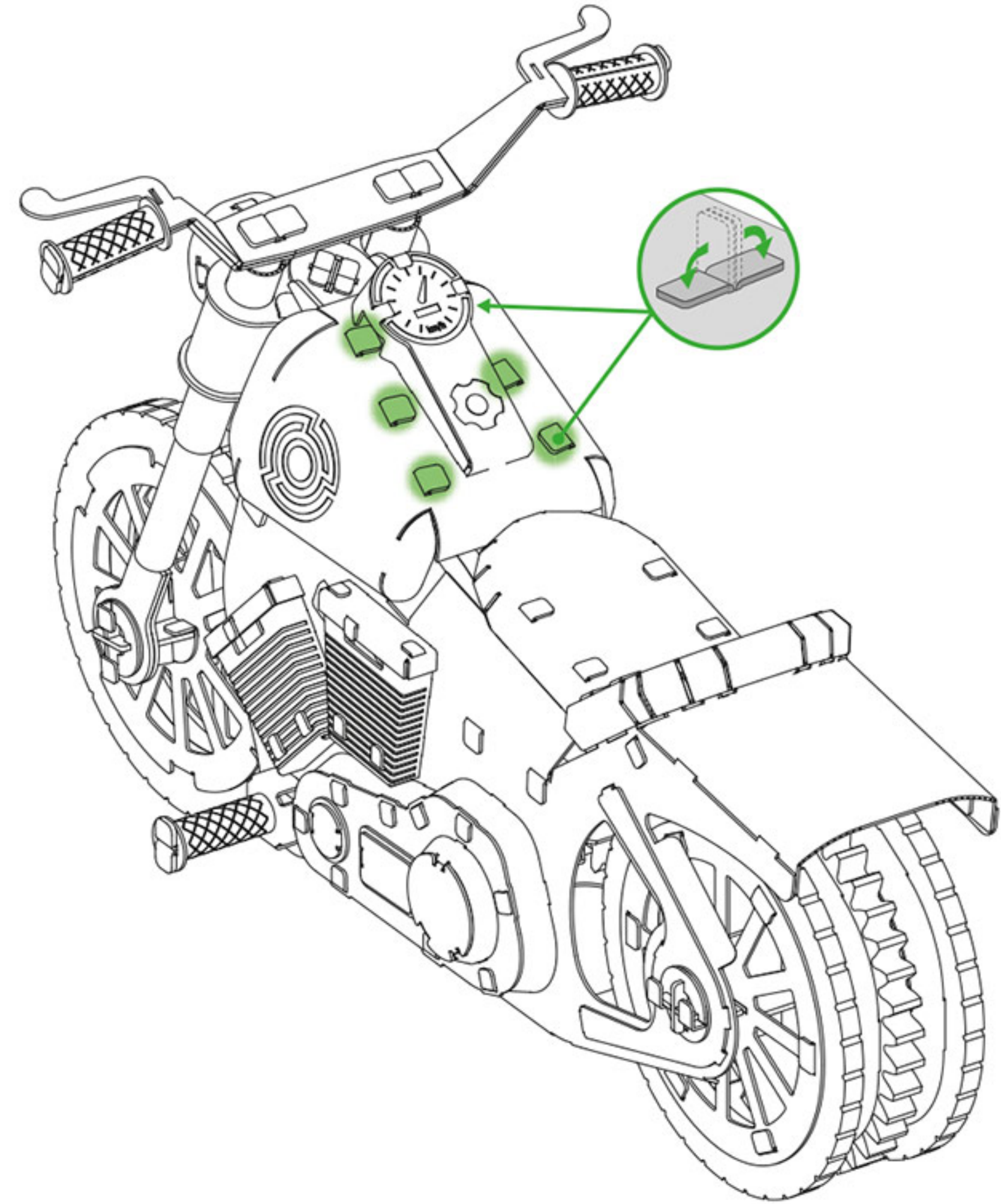
23.3

Assembly step 7

Assembly step 13



23.4

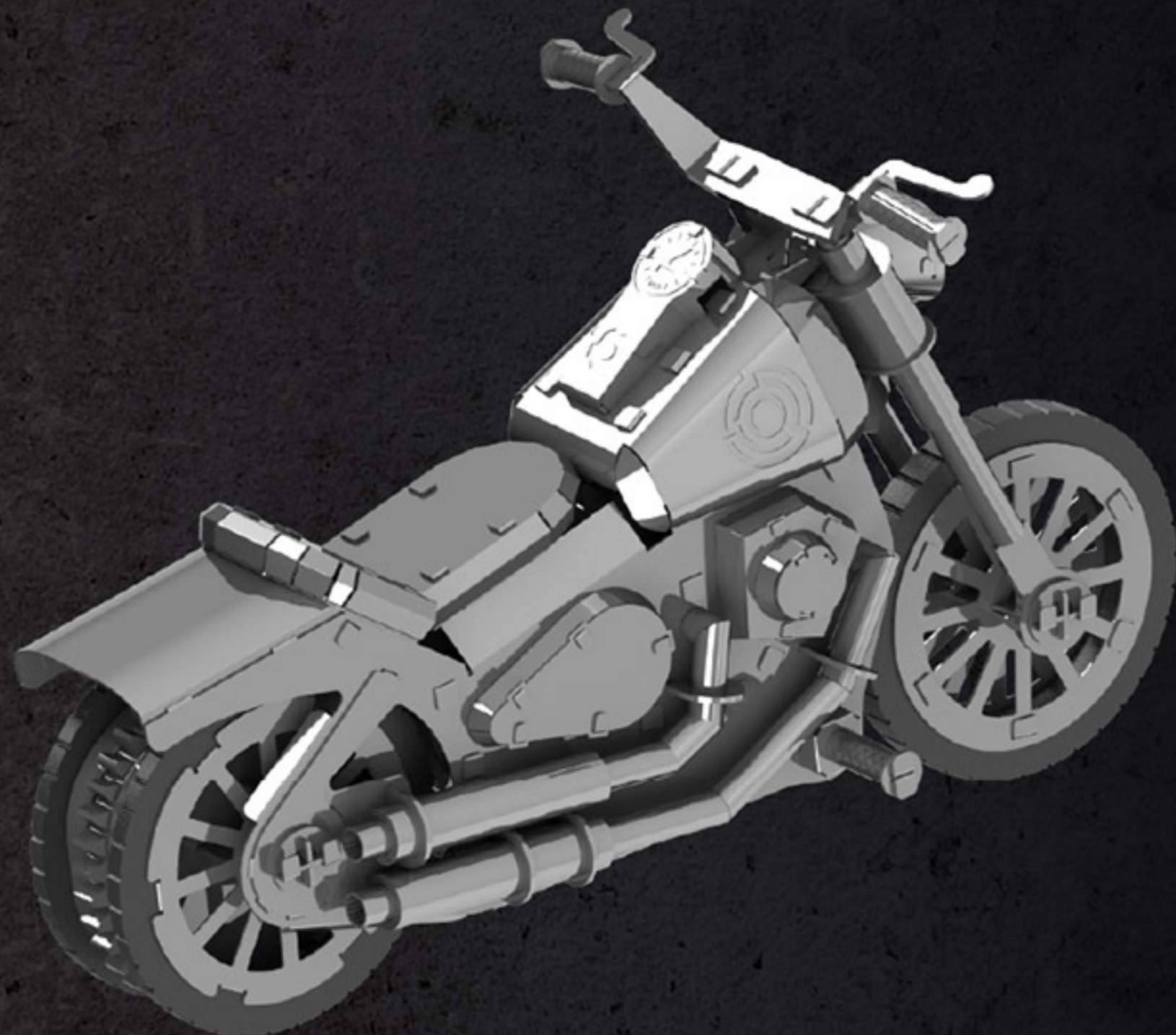




Model name:

ROADWAY FANTASY

In 1901, William S. Harley drew up plans for a small engine with a displacement of 7.07 cubic inches (116 cc) and four-inch (102 mm) flywheels designed for use in a regular pedal-bicycle frame. Over the next two years, he and his childhood friend Arthur Davidson worked on their motor-bicycle using the northside Milwaukee machine shop at the home of their friend Henry Melk. It was finished in 1903 with the help of Arthur's brother Walter Davidson.



Designed in Ukraine



Made in China

Product number: SKU012

Product material: Stainless steel

Number of metal sheets: 3 pcs

Finish product size: L5.32" × W3.1" × H2.6" (L13,5cm × W7,8cm × H6,6cm)



WARNING!

The product contains small and/or sharp parts. Not suitable for children under 3 years of age.

In order to avoid possible injury from sharp edges, please carefully discard the metal sheet after parts have been removed. This product is not a toy. Keep out of reach of children.

Conforms to CPSIA and CE standards. The product complies with the requirements of EN 71-1,2,3; ASTM F963, REACH, AS/NZS 8124, GB 6675



Difficulty level

No expiration date

MODEL
BUILDING
KIT

@hobbadd.cn

霍布德



Collect the Best

Includes: steel sheets, gears, pliers, file, gloves, polishing cloth, user's guide.

ALL RIGHTS RESERVED
© Metal-Time Inc., USA

www.metal-time.com
info@metal-time.com