



METAL<sup>®</sup>  
TIME



WORLD OF TANKS

# AMX-13/75

3D Metal Model Building Kit  
Assembly instructions



©2022 Wargaming.net. All rights reserved.

Collect the Best

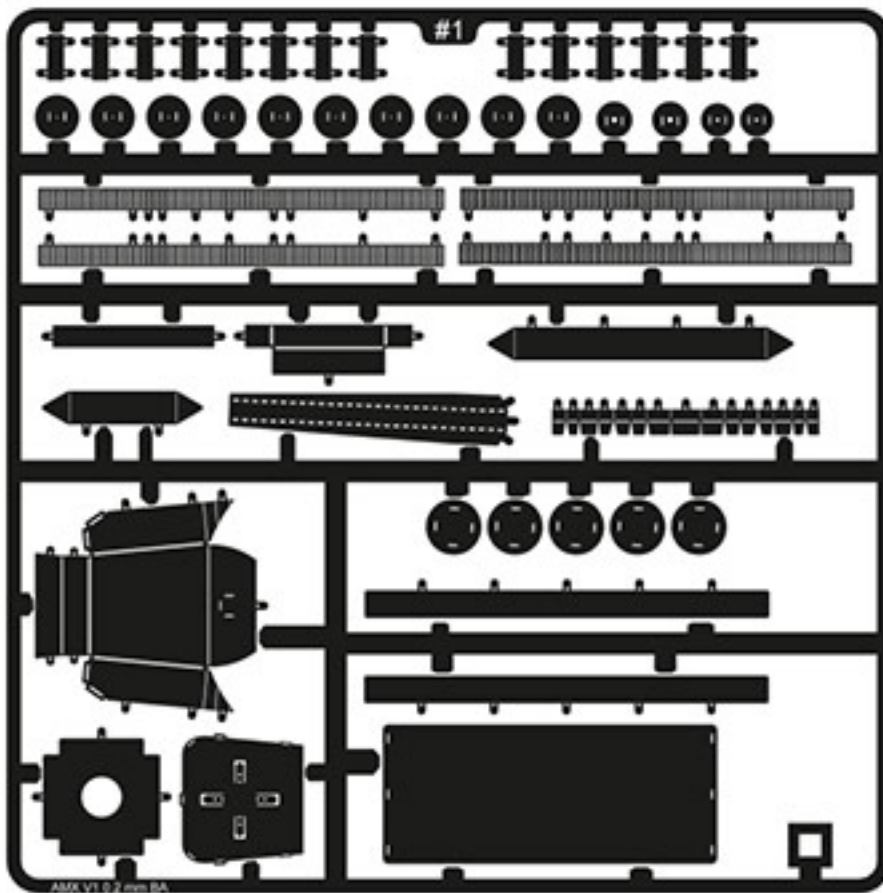
**56** PIECES

**1** hours

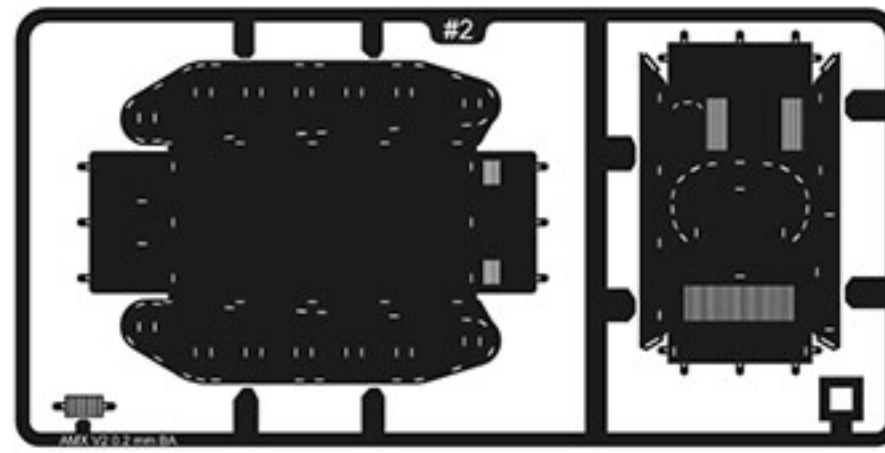
AGES  
**14+**



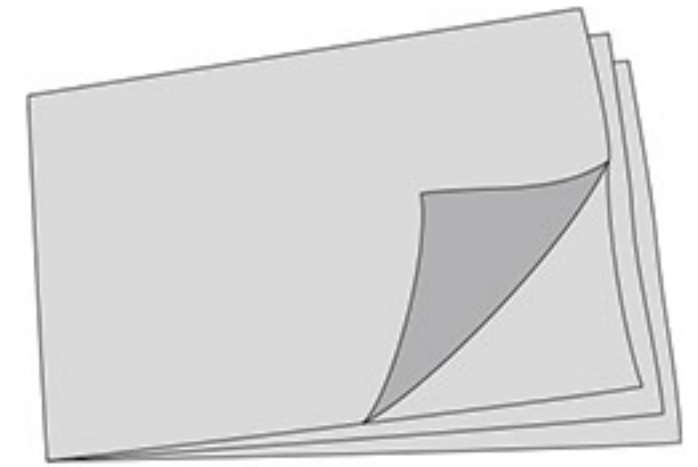
## MODEL PARTS AND ASSEMBLY TOOLS



#1



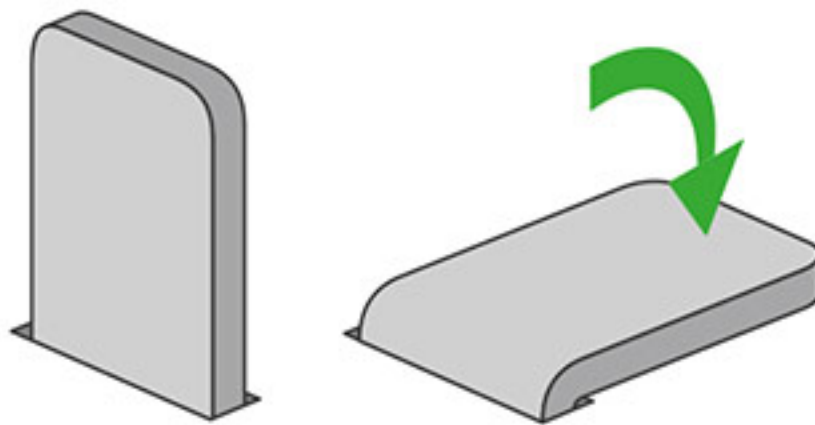
#2



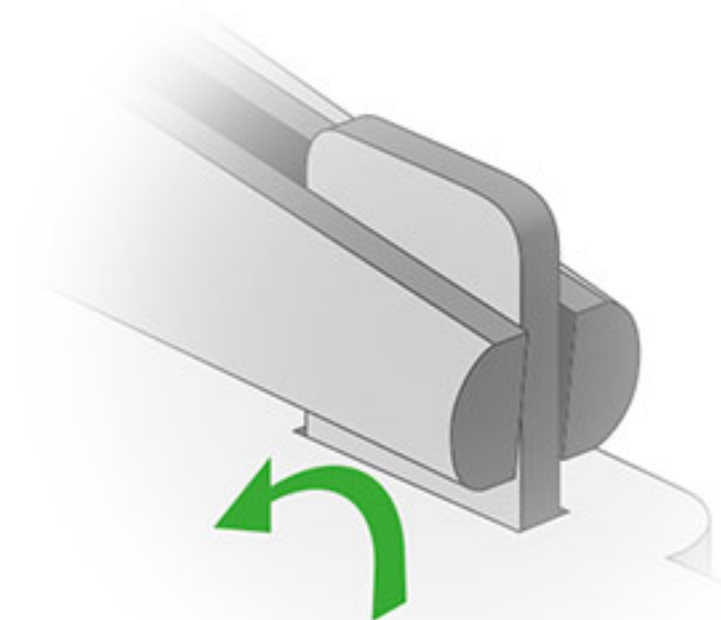
Polishing cloth

## STANDARD FIXING OF FASTENERS

When assembling the model, don't rush, avoid pointing details at yours or anyone else's face. If one of the parts has a sharp edge, please file it down. Use pliers and additional tools to assemble the model. Each kit contains a cloth for wiping and polishing the model once it's assembled.

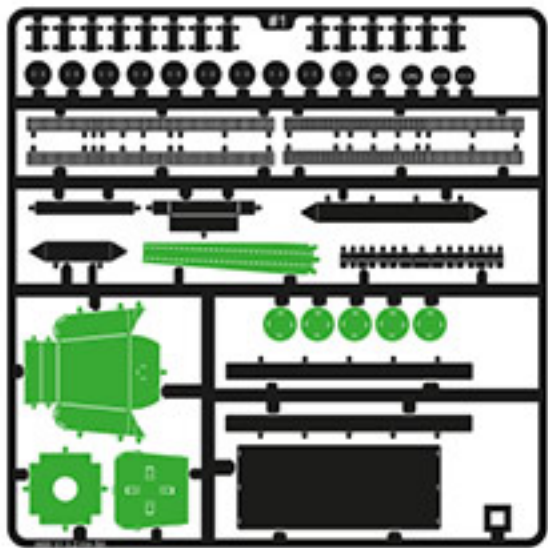


If there are no additional designations, use the standard fixing method

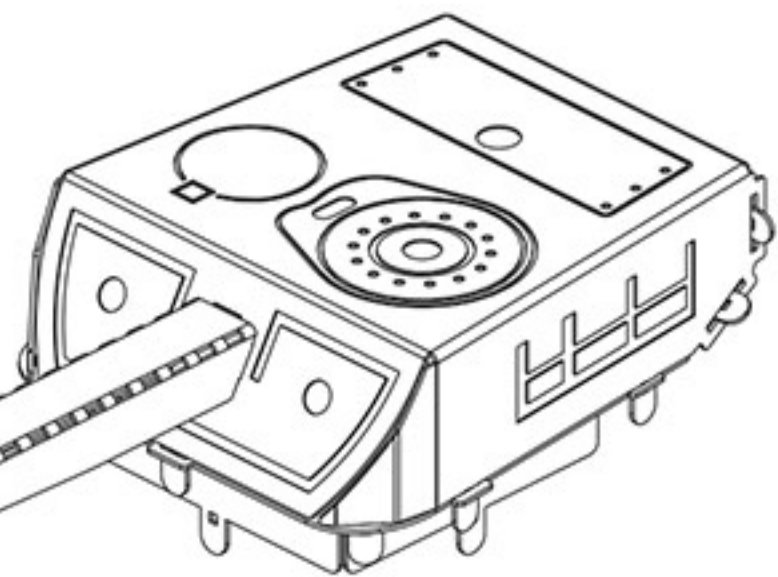
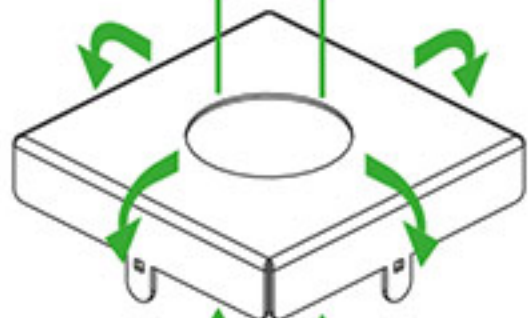
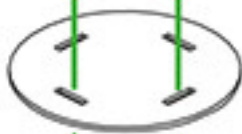
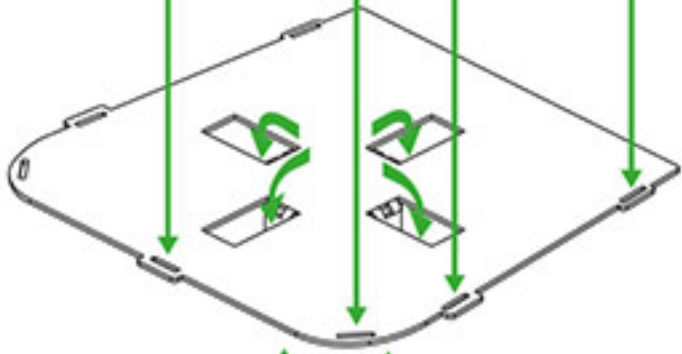
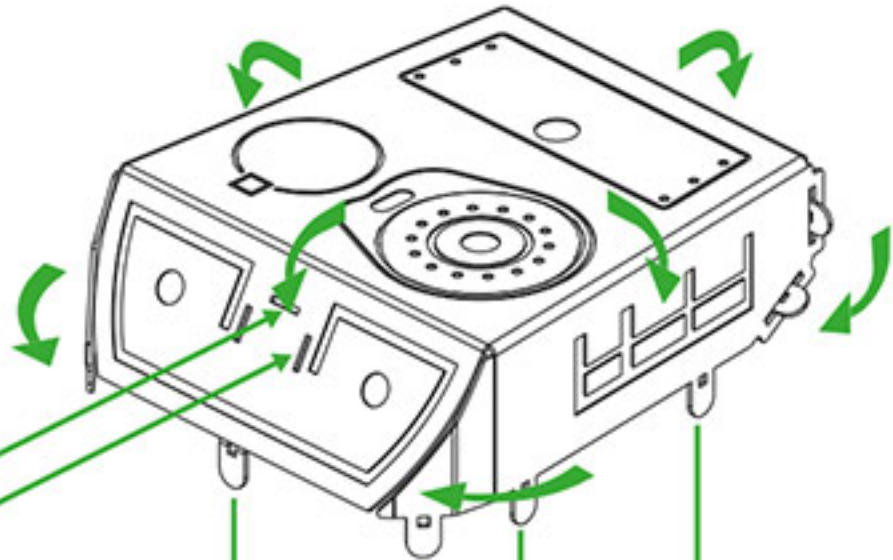
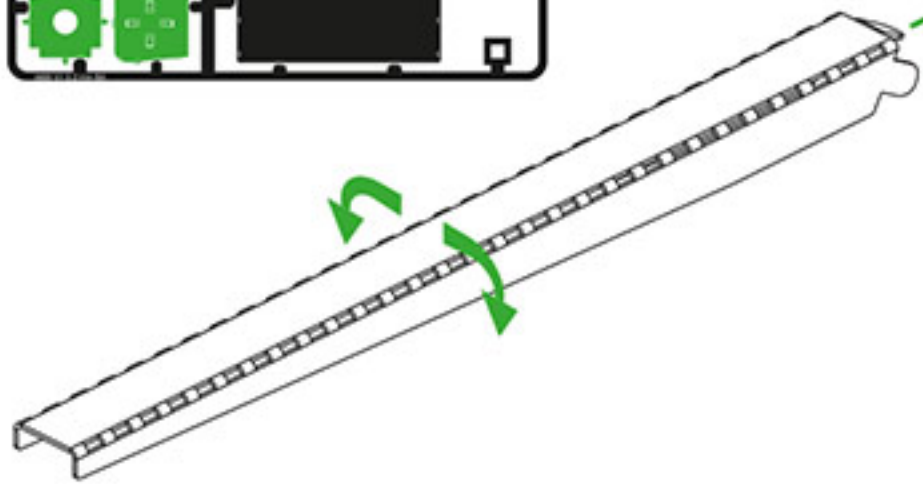


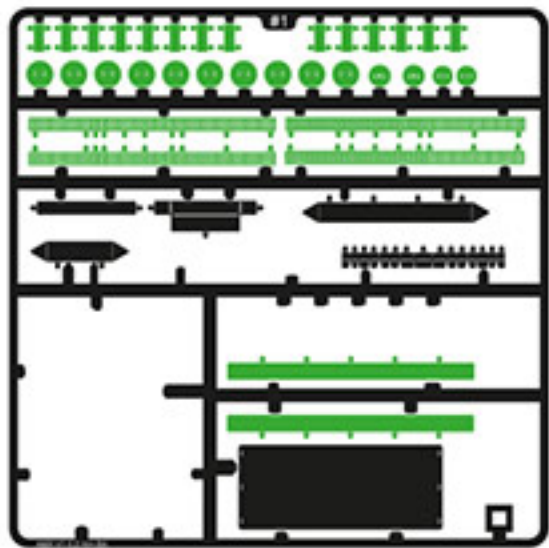
Use pliers to bend the fasteners

**WARNING!** Product contains small parts and sharp parts. Not suitable for children under 3 years of age. Model for collectors, suitable for children 14+

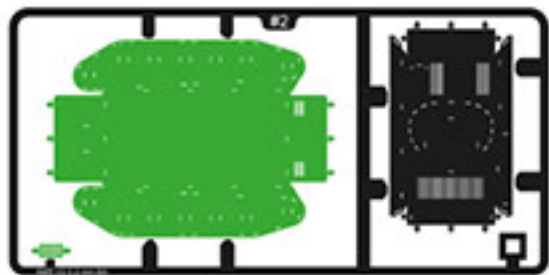


#1

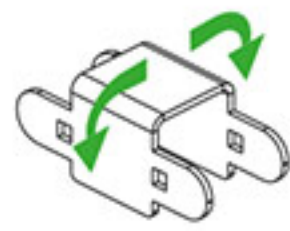
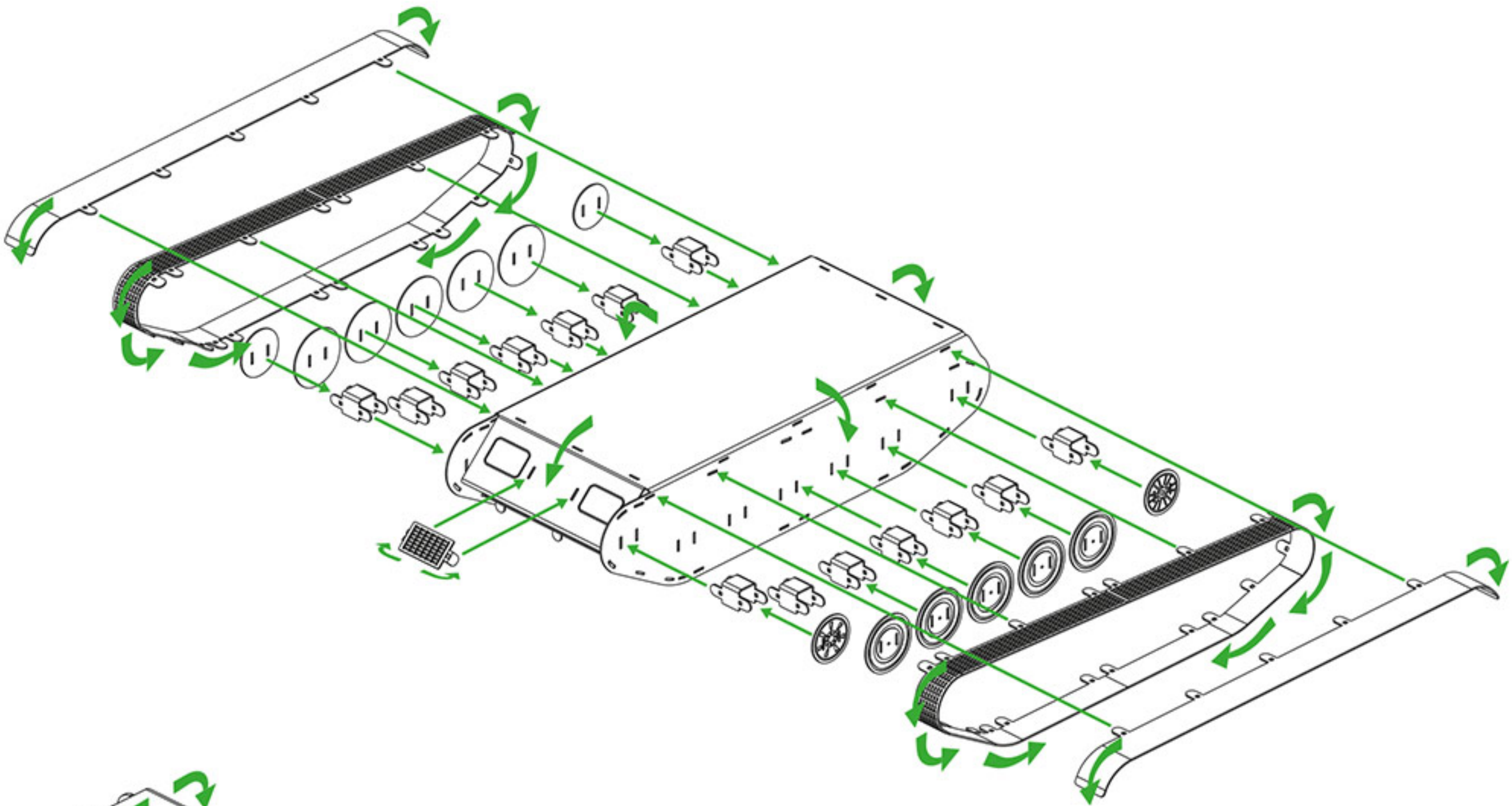
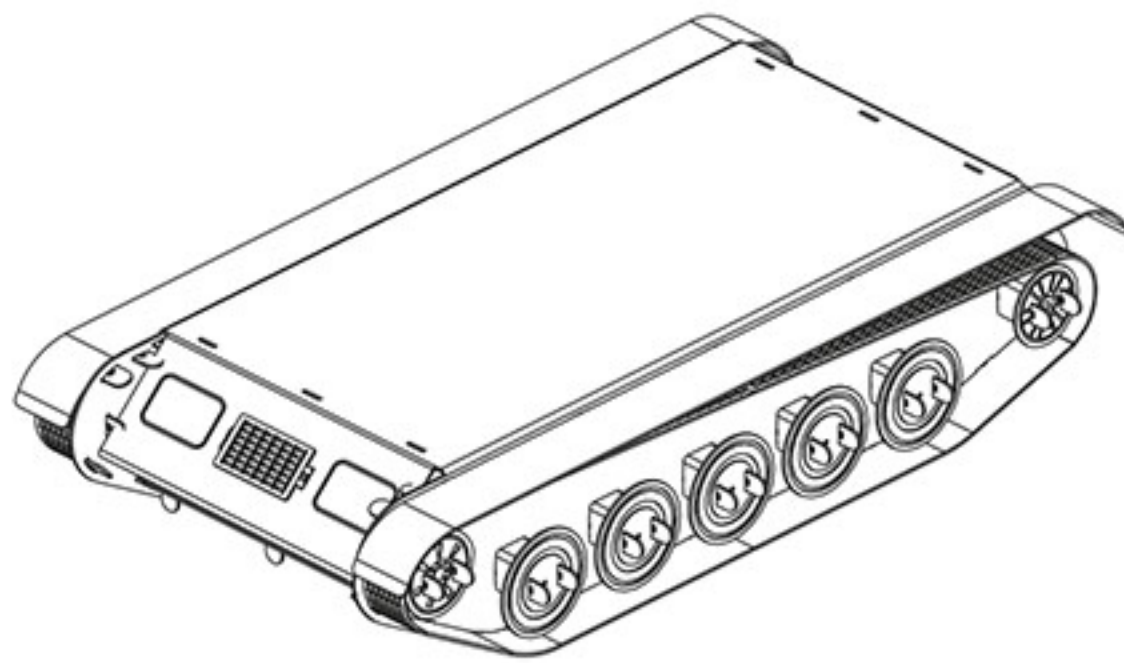




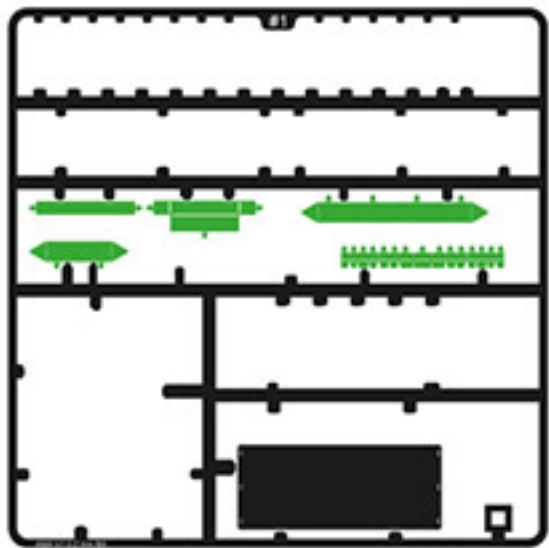
#1



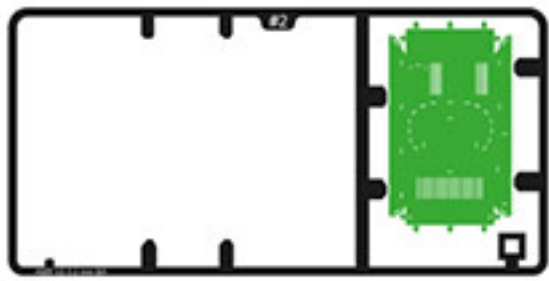
#2



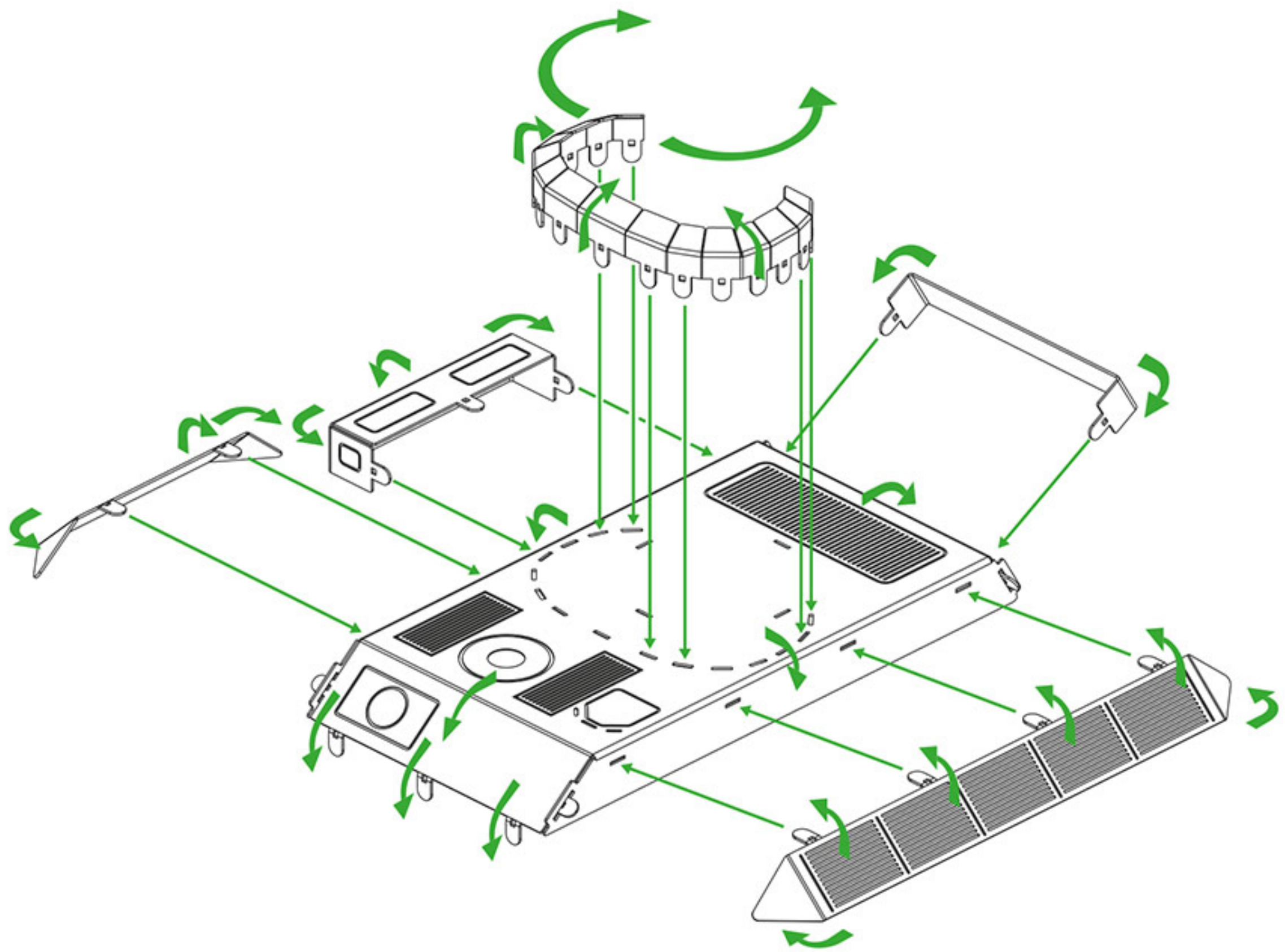
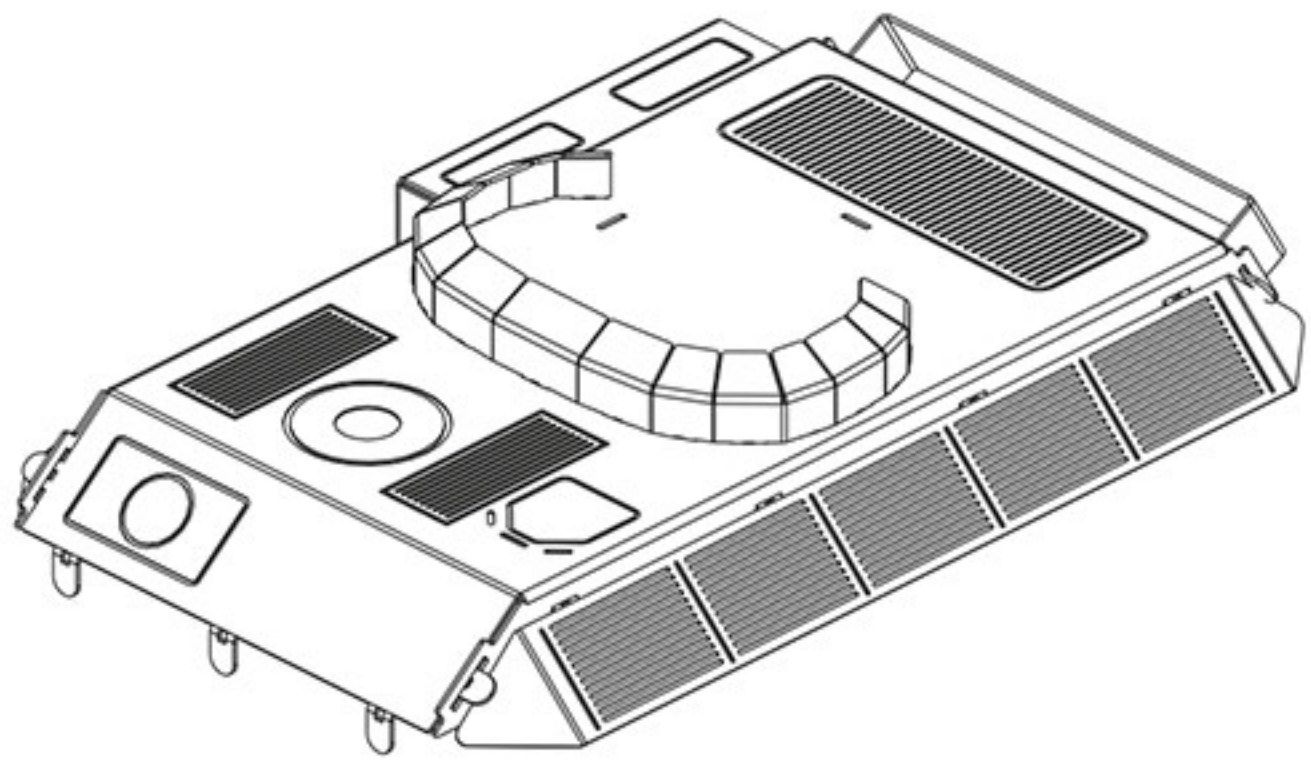
×14

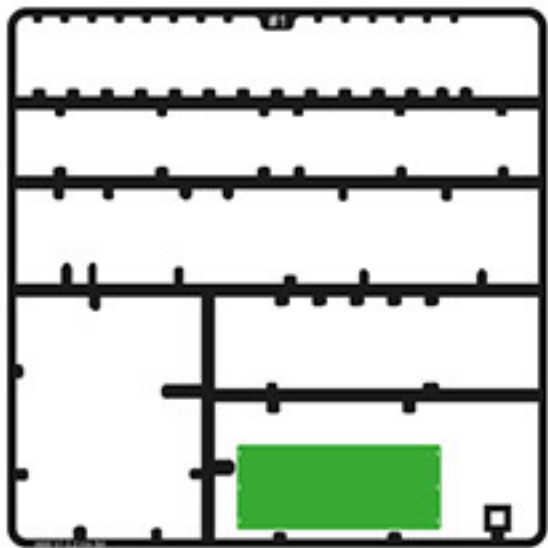


#1



#2





#1

